

**Fresa Win +
(G047/G048)**

PARTS CATALOG

First edition, June 2000

Ricoh Company, LTD.

Fresa Win + (G047/G048)

PARTS CATALOG

This catalog gives the numbers and names of parts on this machine.

CONTENTS

Fresa Win +

(G047/G048)

Fresa Win + (G047/G048)

Fresa Win + (G047/G048)

PARTS CATALOG

This catalog gives the numbers and names of parts on this machine.

CONTENTS

LOCATION OF UNIT	2	18.PAPER EXIT SECTION 2 (G048)	42
1.EXTERIOR 1 (G047/G048)	8	19.DUPLEX UNIT 1 (G048).....	44
2.EXTERIOR 2 (G047).....	10	20.DUPLEX UNIT 2 (G048).....	46
3.EXTERIOR 3 (G048).....	12	21.DUPLEX DRIVE (G048)	48
4.PAPER TRANSPORT SECTION 1 (G047/G048)	14	22.DUPLEX FRAME (G048)	50
5.PAPER TRANSPORT SECTION 2 (G047/G048)	16	23.DRIVE SECTION 1 (G047/G048).....	52
6.PAPER TRANSPORT SECTION 3 (G047/G048)	18	24.DRIVE SECTION 2 (G047/G048).....	54
7.PAPER CASSETTE (G047/G048)	20	25.DRIVE SECTION 3 (G047/G048).....	56
8.BY-PASS FEED UNIT (G047/G048).....	22	26.ELECTRICAL SECTION 1 (G047/G048)	58
9.PAPER FEED SECTION (G047/G048)	24	27.ELECTRICAL SECTION 2 (G047/G048)	60
10.OPTICAL UNIT (G047/G048).....	26	28.ELECTRICAL SECTION 3 (G047/G048)	62
11.FUSING UNIT 1 (G047/G048)	28	29.FRAME SECTION 1 (G047/G048)	64
12.FUSING UNIT 2 (G047/G048)	30	30.FRAME SECTION 2 (G047/G048)	66
13.FUSING UNIT 3 (G047/G048)	32	31.FRAME SECTION 3 (G047/G048)	68
14.FUSING UNIT 4 (G047/G048)	34	32.FRAME SECTION 4 (G047/G048)	70
15.VERTICAL TRANSPORT 1 (G048)	36	33.MAIN CONTROL BOARD (G047/G048)	72
16.VERTICAL TRANSPORT 2 (G048)	38	34.PRINTER CONTROL BOARD (G047/G048)	82
17.PAPER EXIT SECTION 1 (G048).....	40	35.DECAL AND DOCUMENT (G047/G048)	86

June 25 '2000

Fresa Win + (G047/G048)

PARTS CATALOG

This catalog gives the numbers and names of parts on this machine.

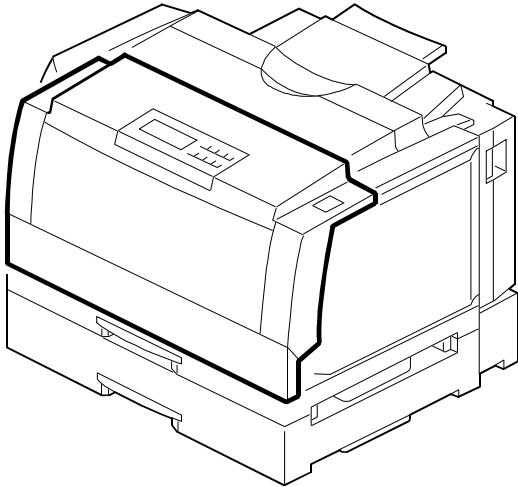
CONTENTS

36.SPECIAL TOOLS (G047/G048).....	90
PARTS INDEX	93

June 25 '2000

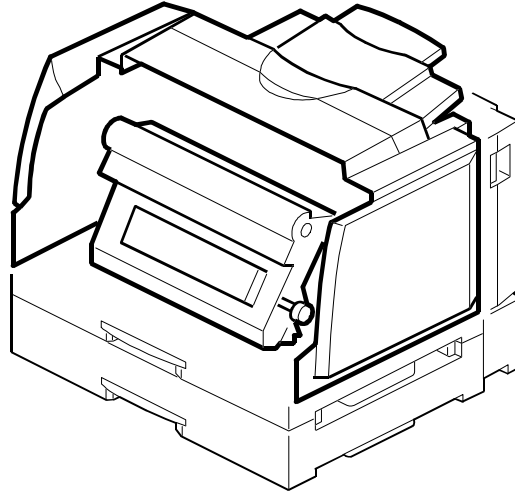
LOCATIONS OF UNITS

1. EXTERIOR 1 (G047/G048)



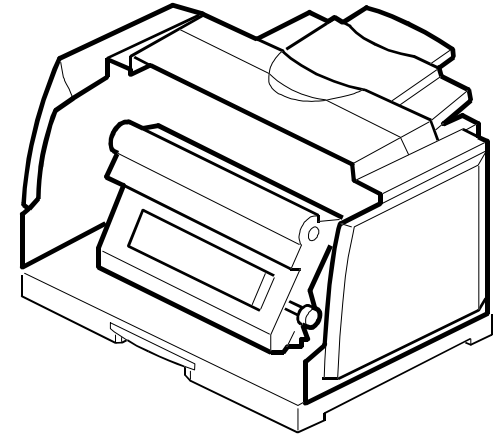
See Page 9

2. EXTERIOR 2 (G047)



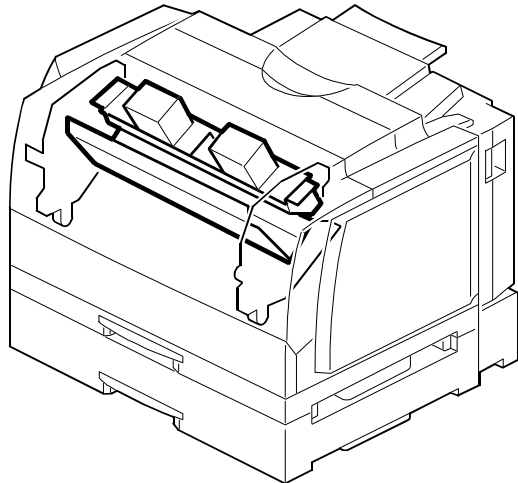
See Page 11

3. EXTERIOR 3 (G048)



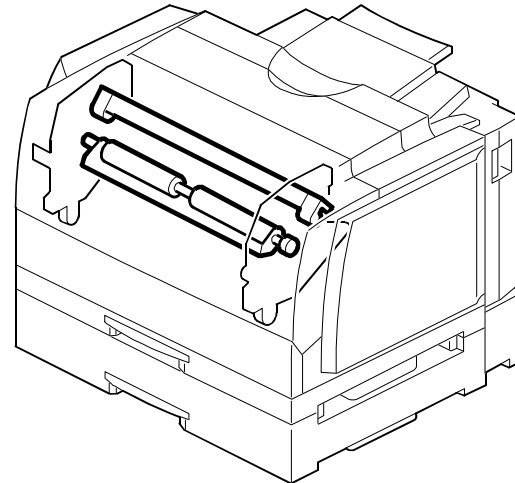
See Page 13

4. PAPER TRANSPORT SECTION 1



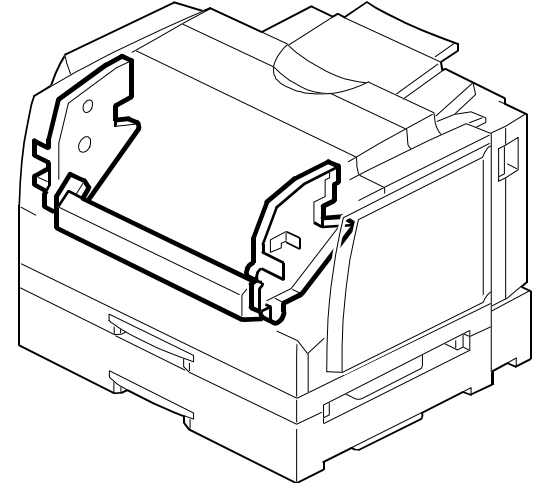
See Page 15

5. PAPER TRANSPORT SECTION 2



See Page 17

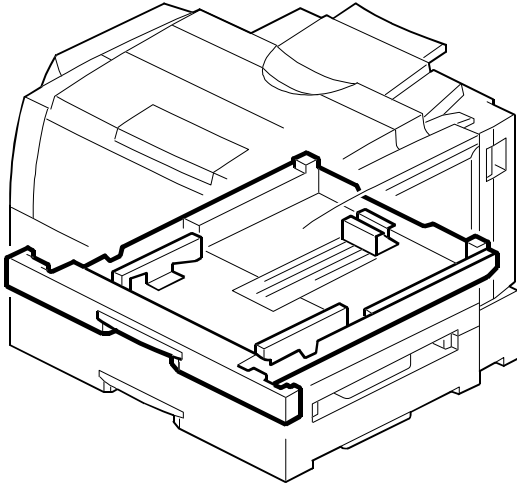
6. PAPER TRANSPORT SECTION 3



See Page 19

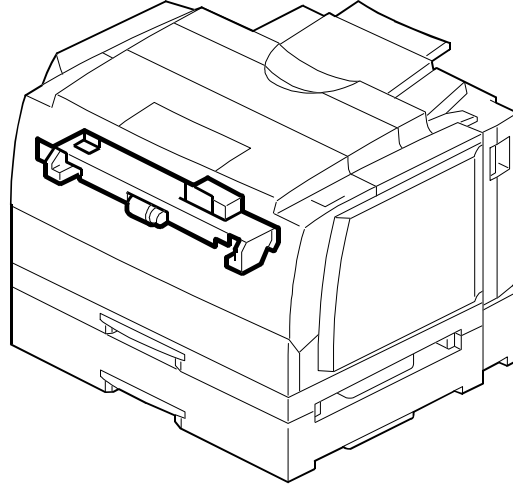
LOCATIONS OF UNITS

7. PAPER CASSETTE (G047/G048)



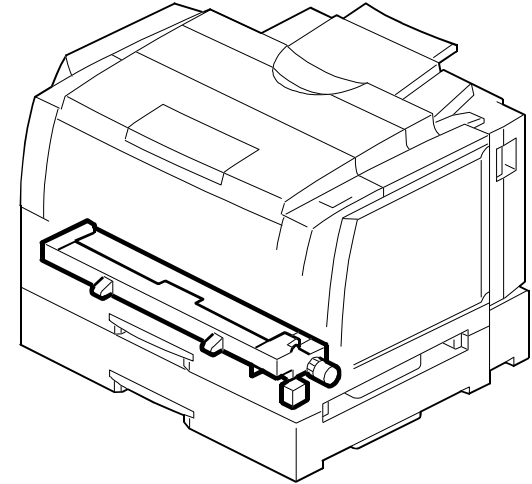
See Page 21

8. BY-PASS FEED UNIT (G047/G048)



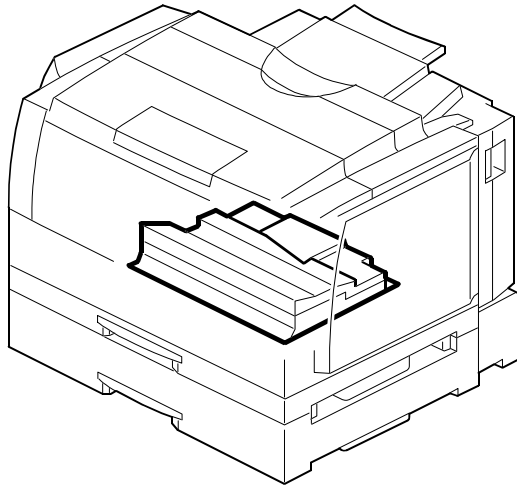
See Page 23

9. PAPER FEED SECTION (G047/G048)



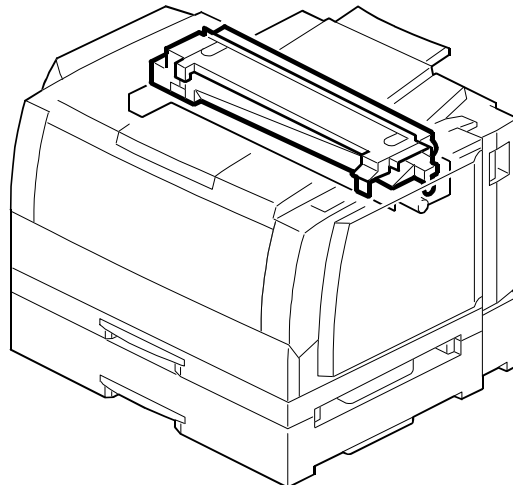
See Page 25

10. OPTICAL UNIT (G047/G048)



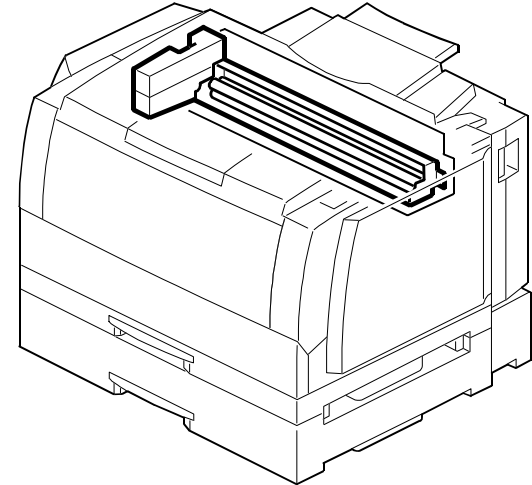
See Page 27

11. FUSING UNIT 1 (G047/G048)



See Page 29

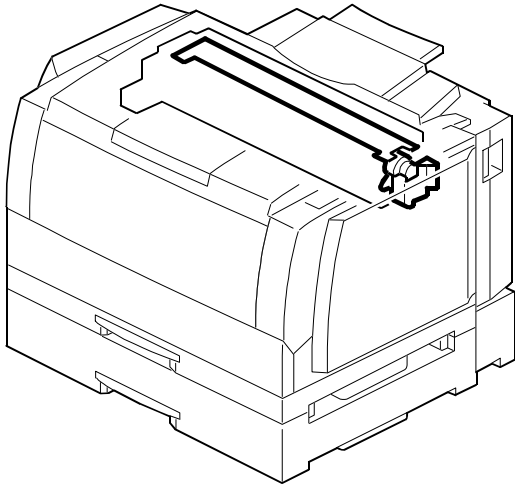
12. FUSING UNIT 2 (G047/G048)



See Page 31

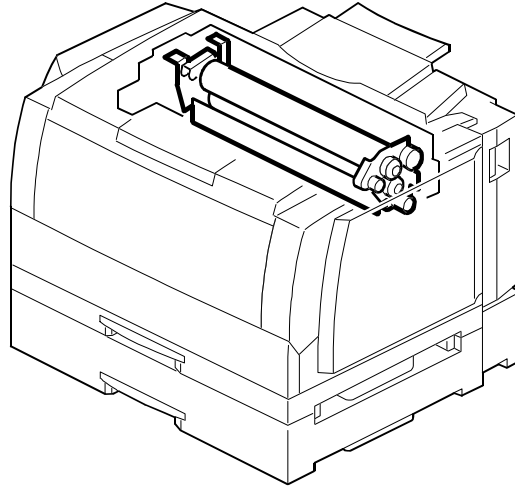
LOCATIONS OF UNITS

13. FUSING UNIT 3 (G047/G048)



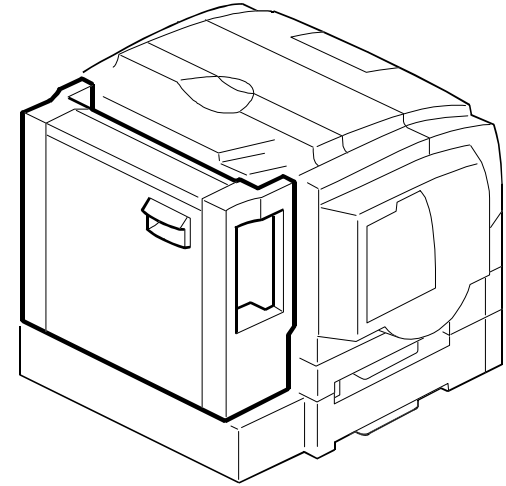
See Page 33

14. FUSING UNIT 4 (G047/G048)



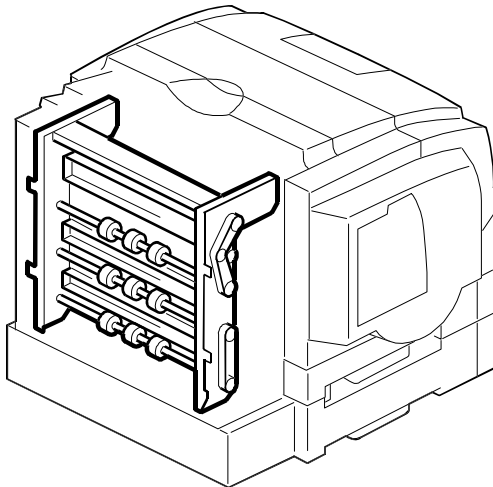
See Page 35

15. VERTICAL TRANSPORT 1 (G048)



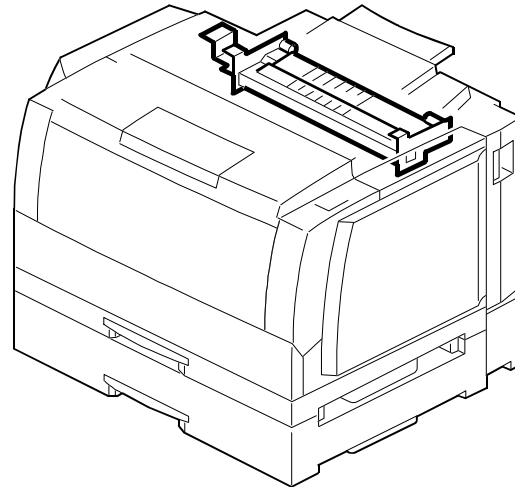
See Page 37

16. VERTICAL TRANSPORT 2 (G048)



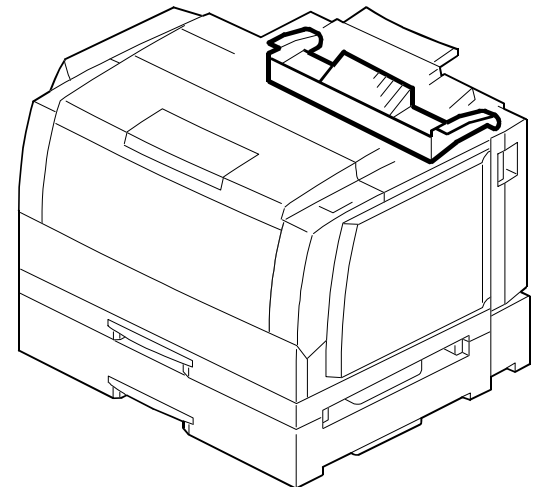
See Page 39

17. PAPER EXIT SECTION 1 (G048)



See Page 41

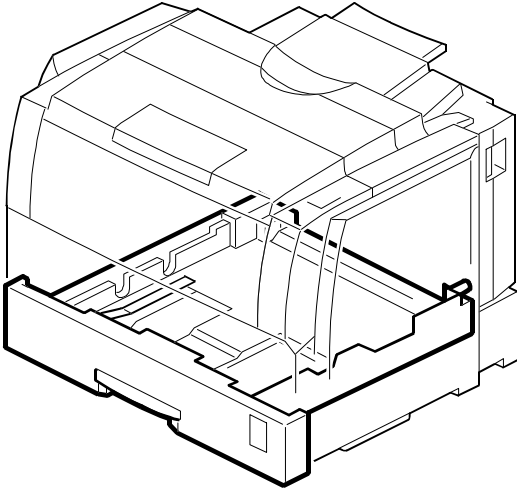
18. PAPER EXIT SECTION 2 (G048)



See Page 43

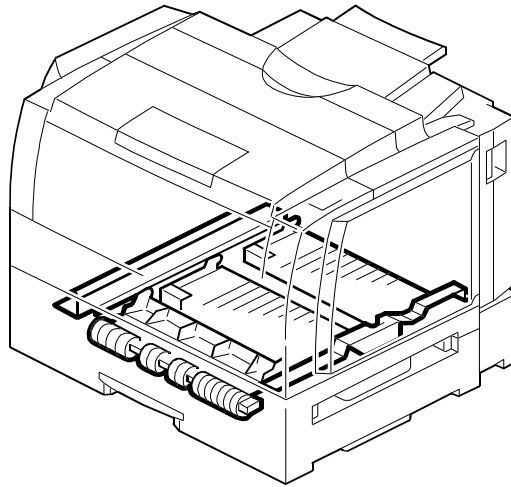
LOCATIONS OF UNITS

19. DUPLEX UNIT 1 (G048)



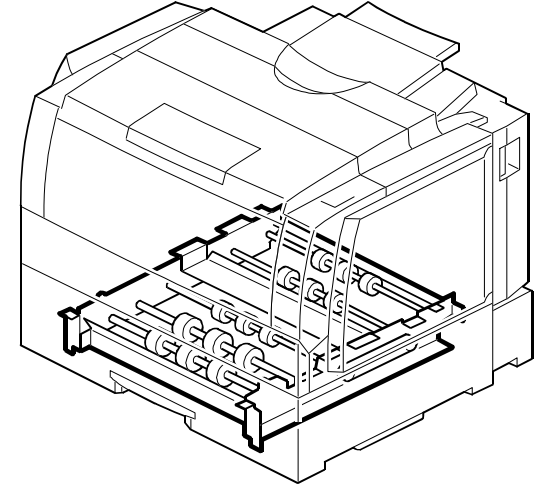
See Page 45

20. DUPLEX UNIT 2 (G048)



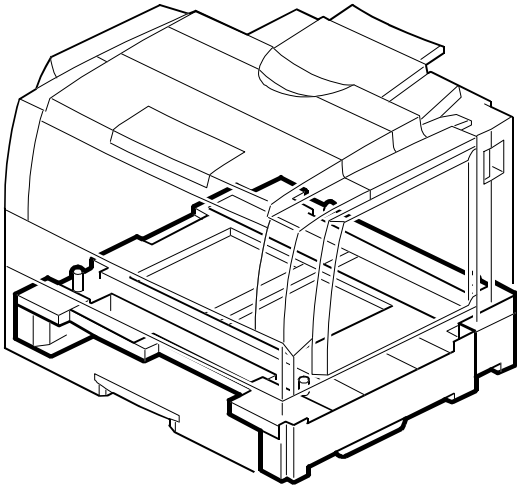
See Page 47

21. DUPLEX DRIVE (G048)



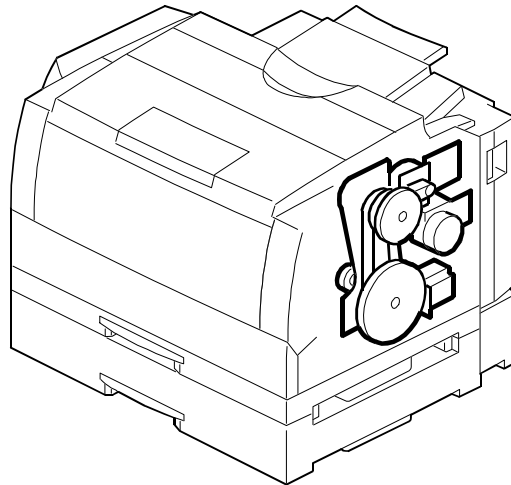
See Page 49

22. DUPLEX FRAME (G048)



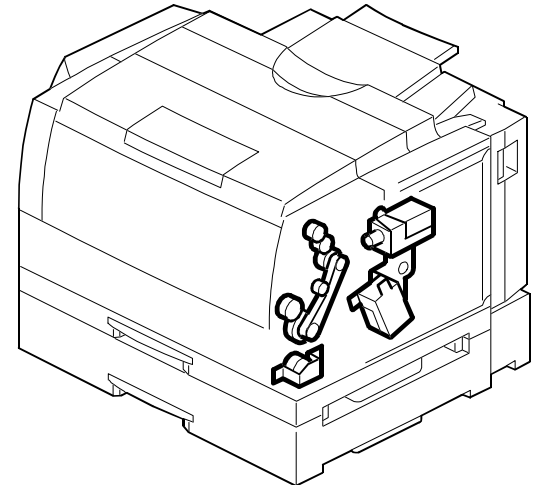
See Page 51

23. DRIVE SECTION 1 (G047/G048)



See Page 53

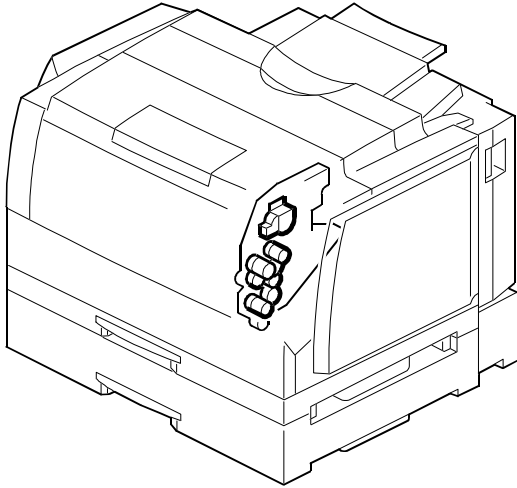
24. DRIVE SECTION 2 (G047/G048)



See Page 55

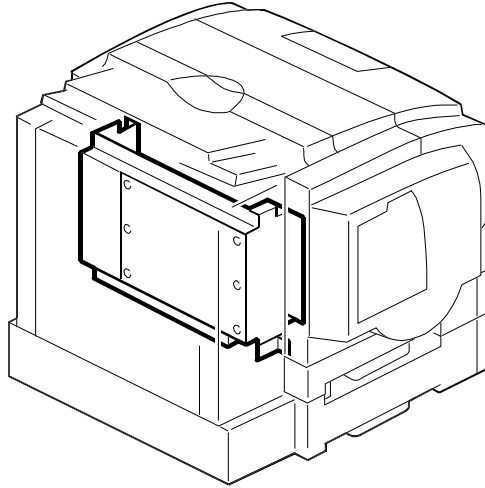
LOCATIONS OF UNITS

25. DRIVE SECTION 3 (G047/G048)



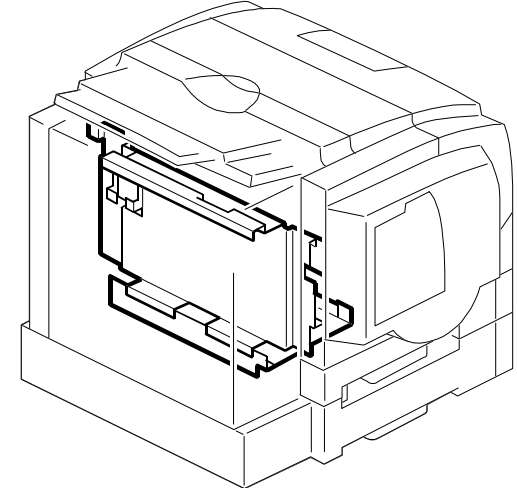
See Page 57

26. ELECTRICAL SECTION 1 (G047/G048)



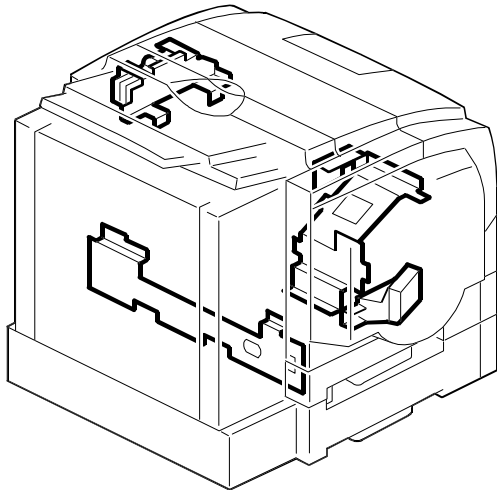
See Page 59

27. ELECTRICAL SECTION 2 (G047/G048)



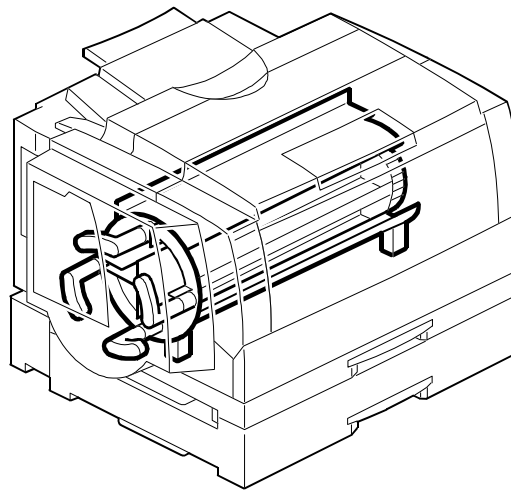
See Page 61

28. ELECTRICAL SECTION 3 (G047/G048)



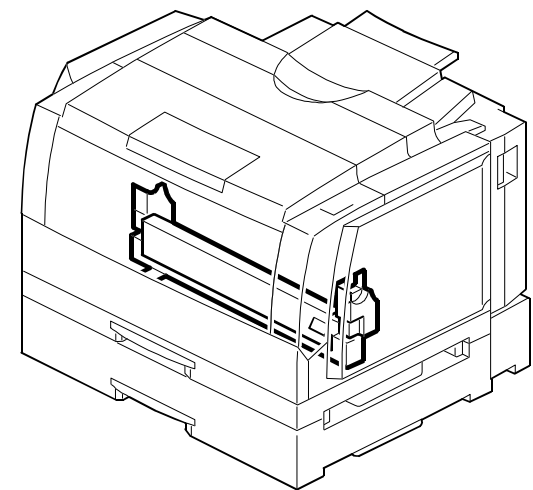
See Page 63

29. FRAME SECTION 1 (G047/G048)



See Page 65

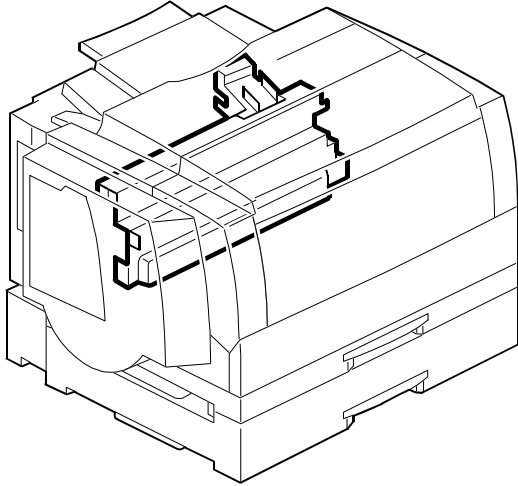
30. FRAME SECTION 2 (G047/G048)



See Page 67

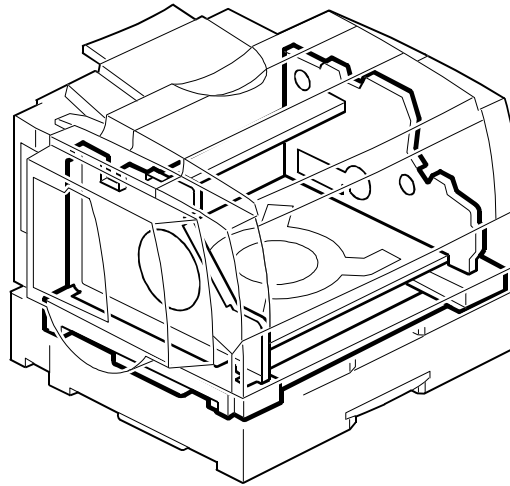
LOCATIONS OF UNITS

31. FRAME SECTION 3 (G047/G048)



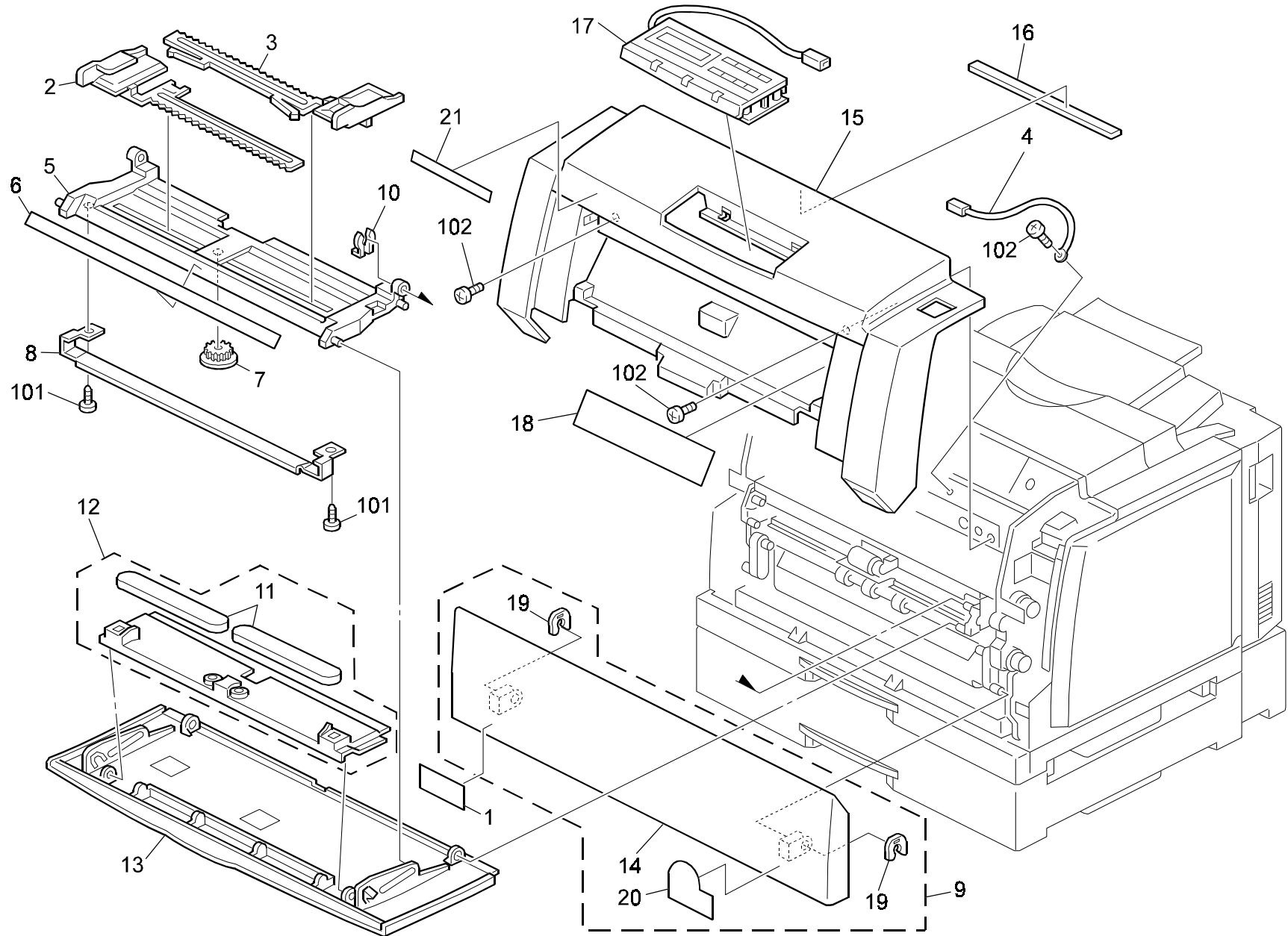
See Page 69

32. FRAME SECTION 4 (G047/G048)



See Page 71

1.EXTERIOR 1 (G047/G048)

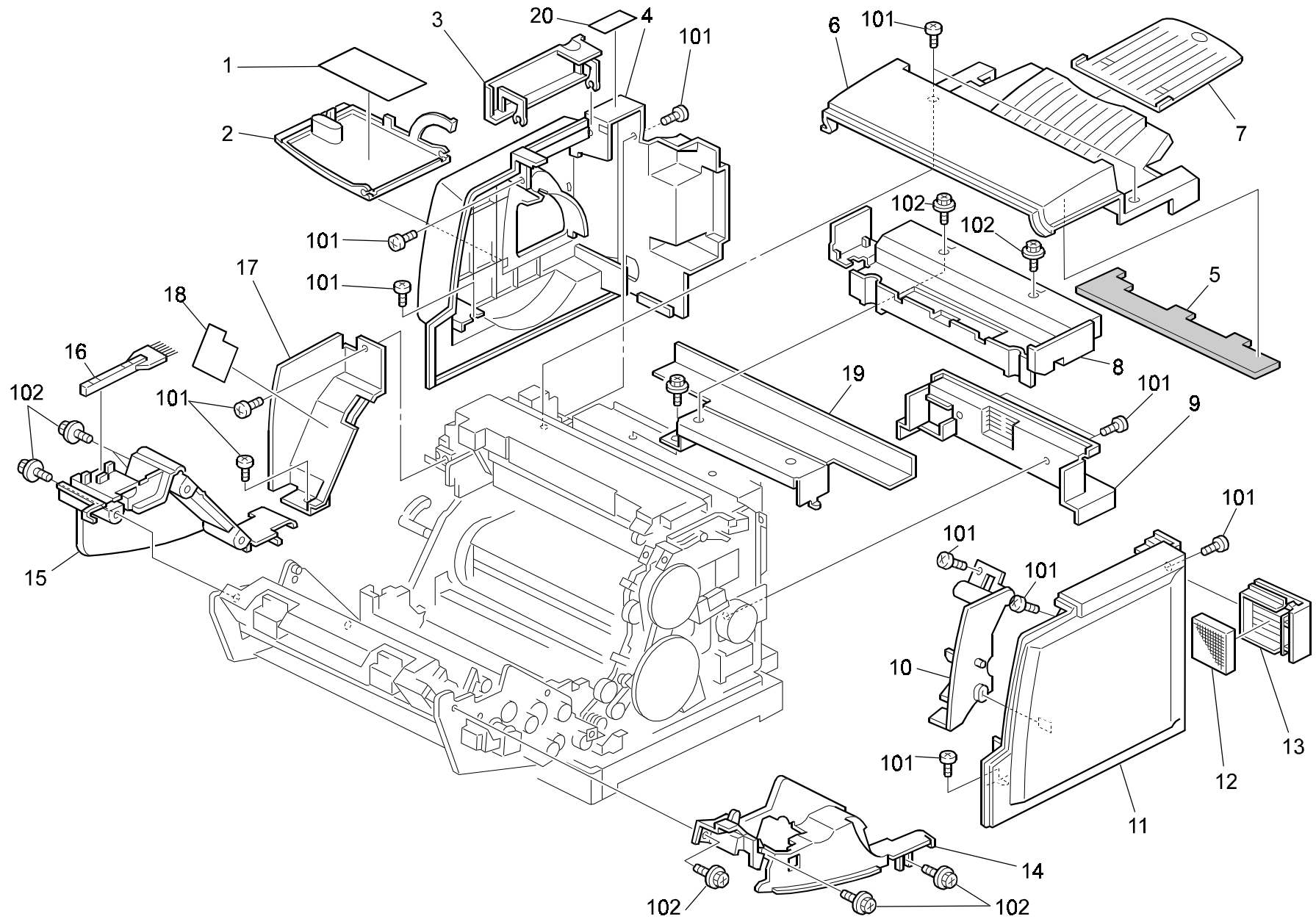


1.EXTERIOR 1 (G047/G048)

Index No.	Part No.	Description	Q'ty Per Assembly
1	G029 6845	Decal - Model Name	1
2	G024 3285	Left Side Fence	1
3	G024 3286	Right Side Fence	1
4	G024 5115	Ground Wire - Operation Panel	1
5	G024 3284	By-pass Feed Table	1
6	G024 3292	Decal - Paper Size	1
7	G011 3305	Gear - 16T	1
8	G024 3291	By-pass Table Stay	1
9	G024 3337	Front Lower Cover	1
10	H521 3355	C Ring - Paper Feed Roller	1
11	A190 2702	Paper Guide	2
12	G024 3296	By-pass Feed Sub Tray	1
13	G047 3293	Cover - By-pass Feed Table Ass'y (RIC)	1
13	G047 3294	Cover - By-pass Feed Table Ass'y (OEM)	1
14	G024 3337	Front Lower Cover	1
15	G024 1501	Front Cover	1
16	G047 1518	Upper Cover Seal	1
17	G024 5613	Operation Panel Ass'y - 120V	1
17	G024 5614	Operation Panel Ass'y - 230V	1
18	G024 1551	Decal - Paper	1
19	G024 3344	Snap Ring M4	1
20	H516 4095	Decal - Energystar	1
21	G047 1560	Brand Name Plate - RIC (G047)	1
21	G047 1561	Brand Name Plate - SVN (G047)	1
21	G047 1562	Brand Name Plate - GES (G047)	1
21	G047 1563	Brand Name Plate - NSA (G047)	1
21	G047 1564	Brand Name Plate - REX (G047)	1
21	G047 1565	Brand Name Plate - INF (G047)	1
21	G048 1560	Brand Name Plate - RIC (G048)	1
21	G048 1561	Brand Name Plate - SVN (G048)	1
21	G048 1562	Brand Name Plate - GES (G048)	1
21	G048 1563	Brand Name Plate - NSA (G048)	1
21	G048 1564	Brand Name Plate - REX (G048)	1
21	G048 1565	Brand Name Plate - INF (G048)	1

Index No.	Part No.	Description	Q'ty Per Assembly
101	0452 3006B	Tapping Screw - M3x6	
102	0353 0060Z	Screw - M3X6	

2.EXTERIOR 2 (G047)

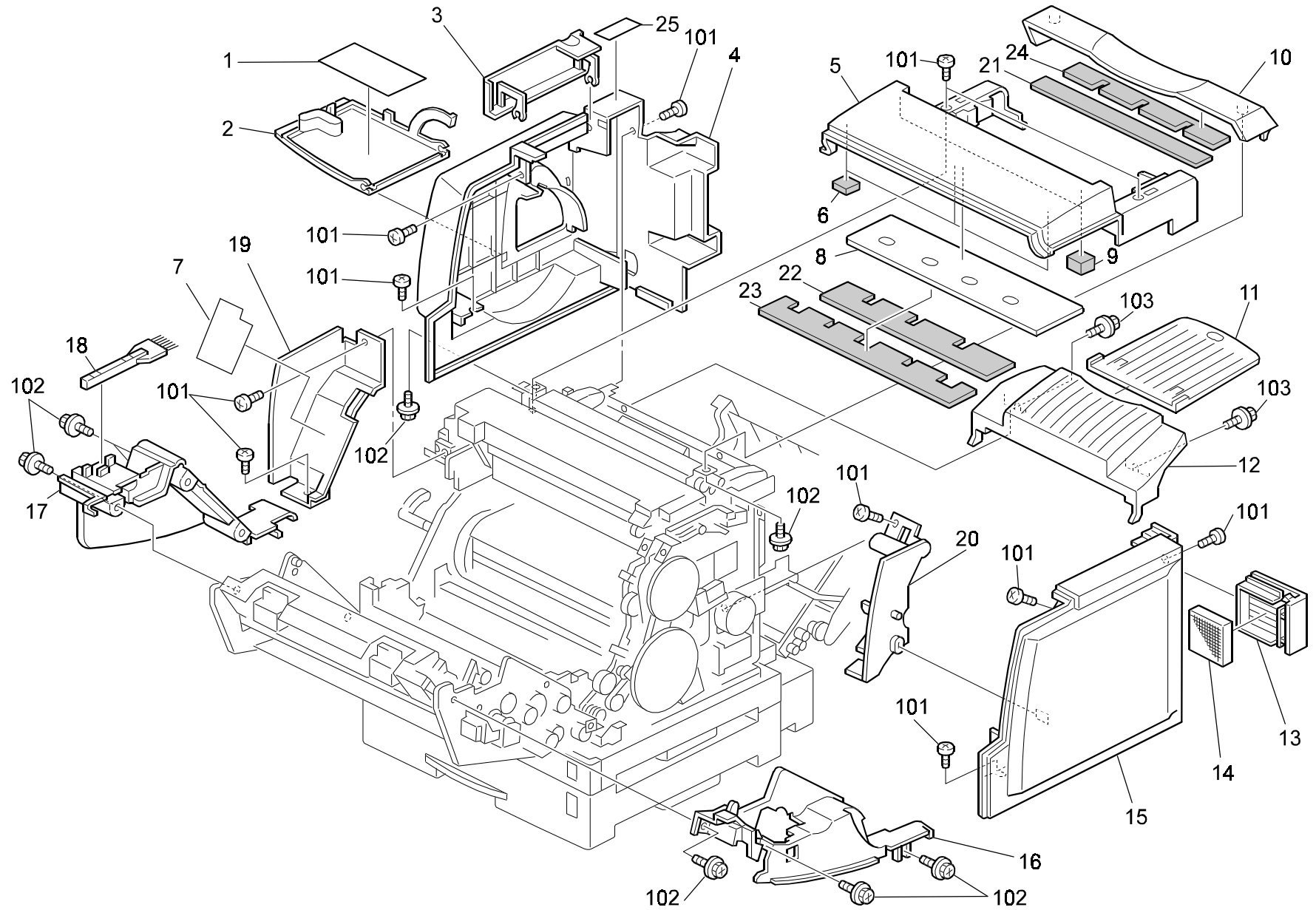


2.EXTERIOR 2 (G047)

Index No.	Part No.	Description	Q'ty Per Assembly
1	G047 1539	Decal - Operation - Toner Magazine	1
2	G024 1534	DTM Cover	1
3	G024 1506	Oil Cover	1
4	G024 1514	Left Cover - PS	1
5	G047 1544	Heat Insulation - Upper Cover	1
6	G024 1522	Upper Cover	1
7	G024 1527	Paper Exit Tray	1
8	G024 1528	Upper Rear Cover	1
9	G047 1529	Rear Lower Cover	1
10	G024 1544	Right Inner Cover - Frame	1
11	G024 1503	Right Cover	1
12	G047 1465	Ozone Filter	1
13	G024 1510	Duct Cover	1
14	G024 1542	Right Front Inner Cover	1
15	G024 1538	Left Front Inner Cover	1
16	G024 1533	Brush	1
17	G024 1543	Left Inner Cover - Frame	1
18	G047 3650	Decal - Misfeed Removal	1
19	G047 1415	Rear Upper Cover Bracket	1
20	G024 5823	Decal - Power Switch - EU	1

Index No.	Part No.	Description	Q'ty Per Assembly
101	0353 0060Z	Screw - M3X6	
102	0451 3006B	Tapping Screw - M3x6	

3.EXTERIOR 3 (G048)

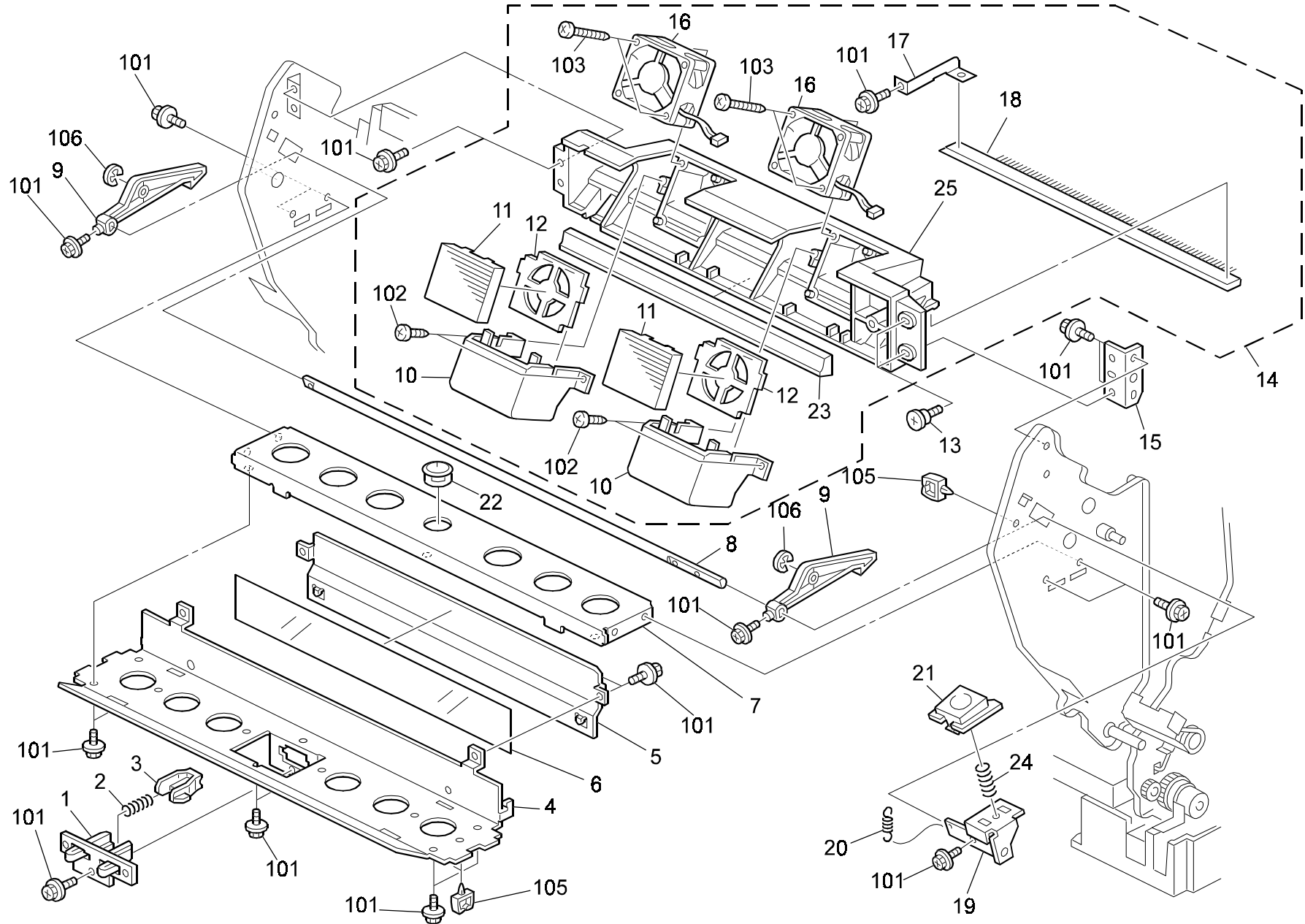


3.EXTERIOR 3 (G048)

Index No.	Part No.	Description	Q'ty Per Assembly
1	G047 1539	Decal - Operation - Toner Magazine	1
2	G024 1534	DTM Cover	1
3	G024 1506	Oil Cover	1
4	G024 1514	Left Cover - PS	1
5	G047 1502	Upper Cover	1
6	G024 1584	Spacer - Shielding Plate	2
7	G048 3650	Decal - Misfeed Removal	1
8	G024 1583	Shielding Plate - Fusing Cover	1
9	G048 1586	Spacer	2
10	G047 1509	Rear Upper Cover	1
11	G024 1527	Paper Exit Tray	1
12	G047 1507	Exit Tray	1
13	G024 1510	Duct Cover	1
14	G047 1465	Ozone Filter	1
15	G048 1503	Right Cover - Duplex	1
16	G024 1542	Right Front Inner Cover	1
17	G024 1538	Left Front Inner Cover	1
18	G024 1533	Brush	1
19	G024 1543	Left Inner Cover - Frame	1
20	G024 1544	Right Inner Cover - Frame	1
21	G048 1543	Heat Insulation - Front	1
22	G048 1540	Rear Heat Insulation - Upper Cover	1
23	G048 1541	Front Heat Insulation - Upper Cover	1
24	G048 1542	Heat Insulation - Upper Rrear Cover	1
25	G024 5823	Decal - Power Switch - EU	1

Index No.	Part No.	Description	Q'ty Per Assembly
101	0353 0060Z	Screw - M3X6	
102	0451 3006B	Tapping Screw - M3x6	
103	0451 3006H	Tapping Screw - 3x6	

4.PAPER TRANSPORT SECTION 1 (G047/G048)

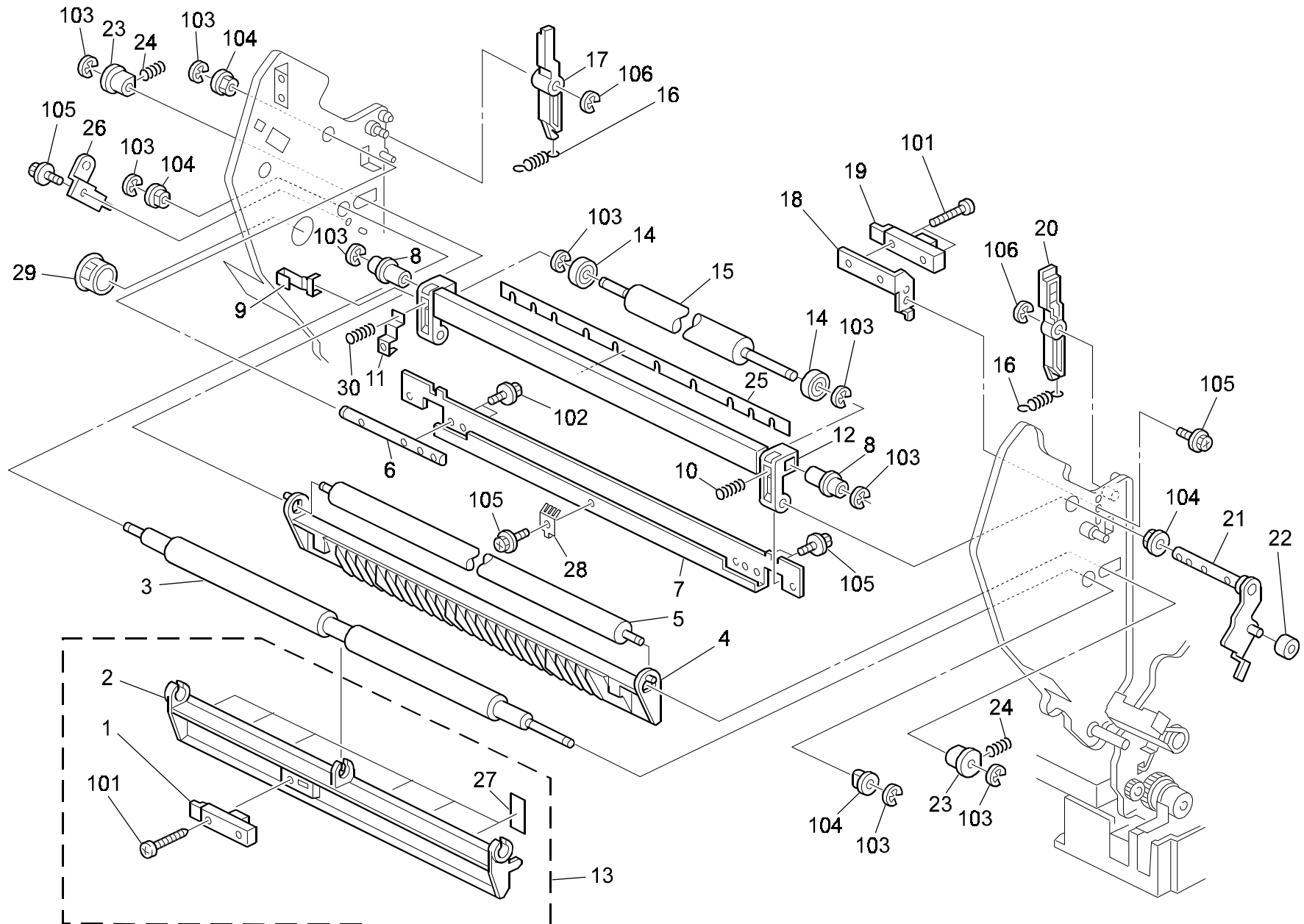


4.PAPER TRANSPORT SECTION 1 (G047/G048)

Index No.	Part No.	Description	Q'ty Per Assembly
1	G024 3120	Registration Brake Holder	1
2	G800 3055	Completion Spring	1
3	G800 3053	Bushing	1
4	G024 3167	Upper Stay	1
5	G024 3175	Upper Guide Plate	1
6	G024 3178	Entrance Seal - Transport	1
7	G024 3169	Upper Stay 2	1
8	G024 3185	Un Lock Shaft	1
9	G024 3179	Un Lock Lever - Right	2
10	G024 3708	Rear Cover - Transport	2
11	G024 3710	Ozone Filter	2
12	G024 3709	Fan Guard	2
13	AA14 3287	Stepped Screw - M3	2
14	G047 3409	Guide Plate - Transport Ass'y	1
15	G024 3702	Guide Plate Bracket	1
16	AX64 0099	Fan Motor - DC24V 1.92W	2
17	G024 3707	Grounding Plate	1
18	G024 3705	Discharge Brush - Transfer Roller	1
19	G024 3184	Un Lock Holder	1
20	G024 3190	Tension Spring	1
21	G024 3181	Un Lock Button	1
22	G024 1473	Bushing	1
23	G024 3711	Quenching Lamp Spacer	1
24	G024 3183	Button Spring	1
25	G024 3701	Guide Plate - Transport	1

Index No.	Part No.	Description	Q'ty Per Assembly
101	0451 3006B	Tapping Screw - M3x6	
102	0452 3008B	Tapping Screw - M3x8	
103	0452 4030B	Tapping Bind Screw - M4x30	
104	1106 0411	Bushing - 11.5mm	
105	1105 0230	Clamp	
106	0720 0040B	Retaining Ring - M4	

5.PAPER TRANSPORT SECTION 2 (G047/G048)

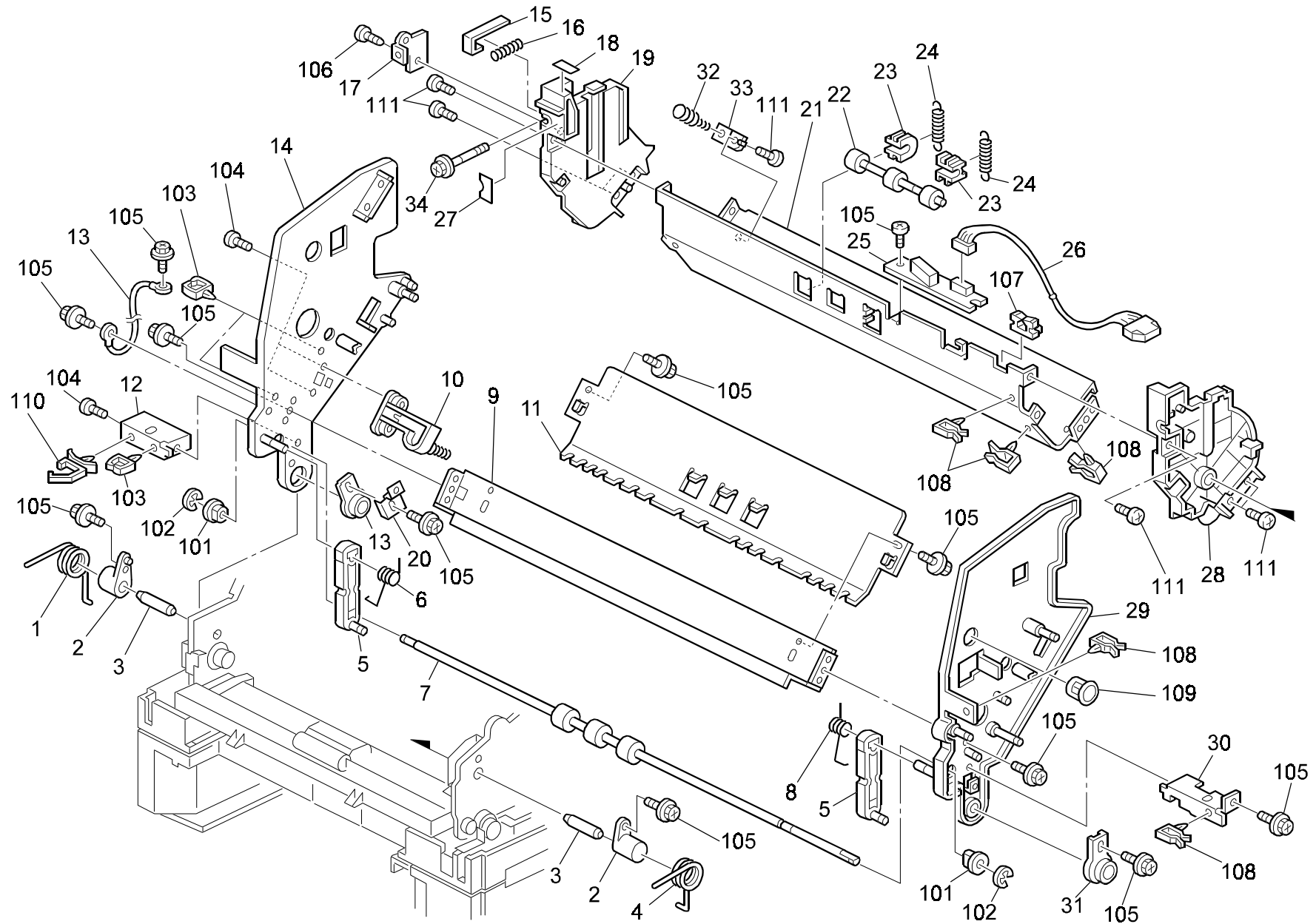


5.PAPER TRANSPORT SECTION 2 (G047/G048)

Index No.	Part No.	Description	Q'ty Per Assembly
1	GW01 0006	Photorelector - GP2A69	1
2	G024 3111	Upper Guide Plate	1
3	G024 3107	Registration Roller	1
4	G024 3114	Lower Guide Plate	1
5	G024 3108	Registration Roller	1
6	G024 3666	Left Shaft	1
7	G024 3665	Holder Bracket - Transfer Roller	1
8	G024 3664	Bushing	2
9	G024 3673	Terminal Plate	1
10	G024 3672	Pressure Spring	1
11	G024 4308	Terminal Plate	1
12	G024 3684	Transfer Roller Holder	1
13	G024 3110	Upper Guide Plate Ass'y	1
14	G024 3663	Transport Roller Bushing	2
15	G047 3661	Transfer Roller	1
16	G024 3189	Tension Spring	2
17	G024 3186	Left Lever	1
18	G024 3731	Positioning Sensor Bracket	1
19	A166 5421	Transfer Belt Sensor	1
20	G024 3187	Right Lever	1
21	G024 3667	Transport Timing Lever	1
22	G024 3678	Timing Lever Roller	1
23	G024 3122	Bushing	2
24	G024 3116	Registration Roller Spring - Driven	2
25	G047 3688	Seal	1
26	G024 3124	Grounding Plate	1
27	G024 3112	Shield - Registration Guide Palte	6
28	G024 3679	Grounding Plate - Transfer Holder B	1
29	G024 1473	Bushing	1
30	G047 3672	Spring - Transfer Roller - Left	1

Index No.	Part No.	Description	Q'ty Per Assembly
101	0450 3012B	Tapping Screw -3x12	
102	0451 3008B	Tapping Screw - M3x8	
103	0720 0040B	Retaining Ring - M4	
104	0805 3480	Bushing - 6mm	
105	0451 3006B	Tapping Screw - M3x6	
106	0720 0060B	Retaining Ring - M6	

6.PAPER TRANSPORT SECTION 3 (G047/G048)

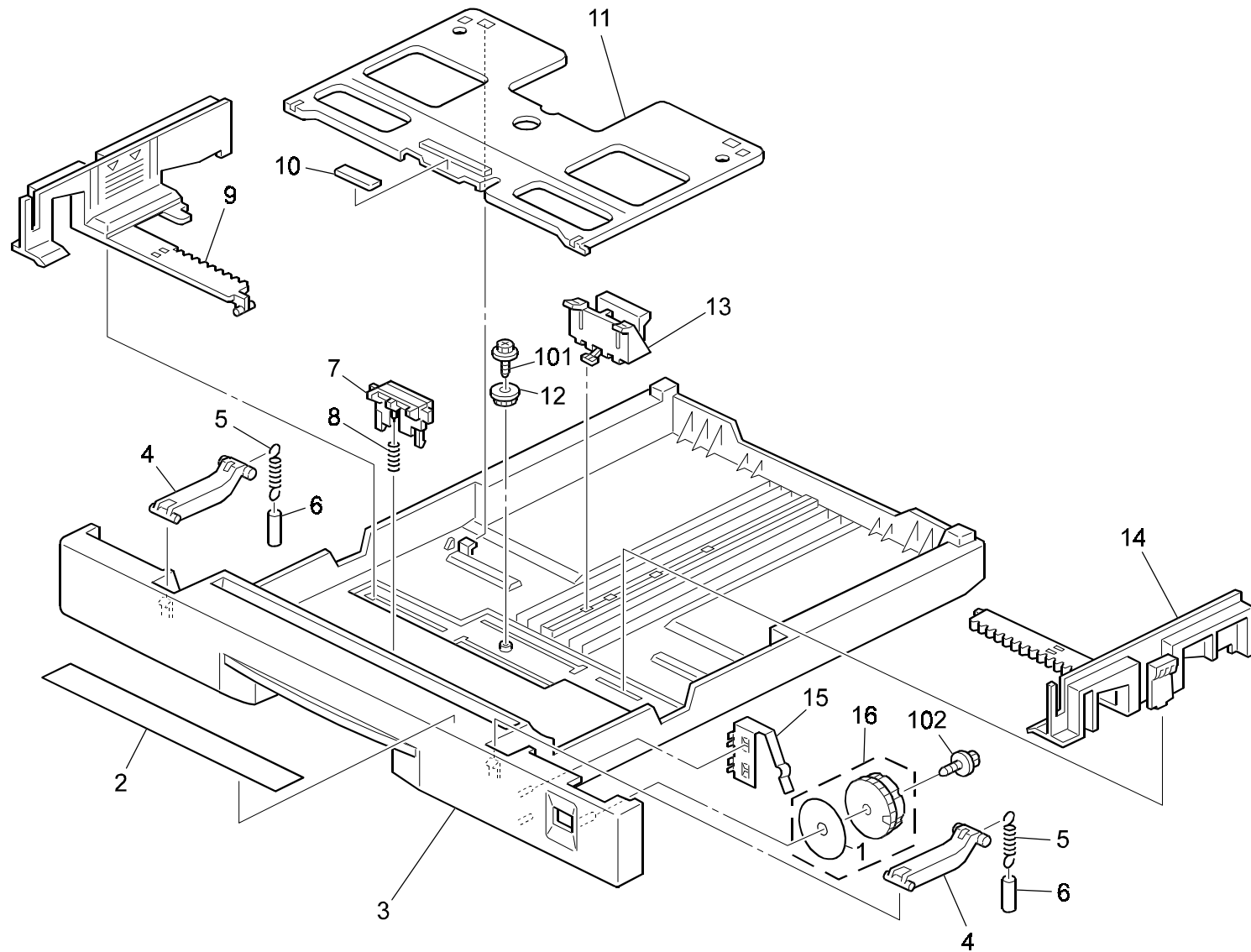


6.PAPER TRANSPORT SECTION 3 (G047/G048)

Index No.	Part No.	Description	Q'ty Per Assembly
1	G024 1067	Torsion Spring	1
2	G024 1063	Contact Point Collar	2
3	G024 1062	Contact Point Shaft	2
4	G024 1068	Torsion Spring	1
5	G024 3338	Front Lower Cover Link	2
6	G024 3340	Torsion Spring	1
7	G024 3318	Transport Drive Roller	1
8	G024 3341	Torsion Spring	1
9	G024 3171	Lower Stay	1
10	G024 3321	Bias Terminal	1
11	G024 3173	Lower Transport Guide Plate	1
12	G024 1064	Left Bracket - Spring Stopper	1
13	G024 3149	Left Bushing	1
14	G047 3143	Front Left Side Plate	1
15	G024 1684	PCU Stopper	1
16	G024 1687	Stopper Spring	1
17	G024 1685	PCU Left Bracket	1
18	G024 1688	Decal - Positioning Display	1
19	G024 1681	PCU Left Guide	1
20	G024 3716	Grounding Plate	1
21	G024 3307	Guide Plate	1
22	G024 3314	Transport Driven Roller	1
23	G024 3315	Busing	2
24	G024 3316	Tension Spring	2
25	G024 5420	Density Sensor	1
26	G024 5119	Density Sensor Harness	1
27	G024 1690	Decal - Screw	1
28	G024 1682	PCU Right Guide	1
29	G024 3153	Right Side Plate	1
30	G024 1066	Right Bracket - Spring Stopper	1
31	G024 3163	Right Bushing	1
32	G024 1622	Spring	1
33	G024 1621	Grounding Plate	1
34	G024 1689	Hexagonal Bolt - M3x19	1

Index No.	Part No.	Description	Q'ty Per Assembly
101	0805 3480	Bushing - 6mm	
102	0720 0040B	Retaining Ring - M4	
103	1105 0230	Clamp	
104	0452 3006B	Tapping Screw - M3x6	
105	0451 3006B	Tapping Screw - M3x6	
106	0452 3006B	Tapping Screw - M3x6	
107	1105 0322	Cord Bushing	
108	1105 0511	Harness Clamp - LWS-0306ZC	
109	1106 0411	Bushing - 11.5mm	
110	1105 0291	Harness Clamp - LWS-3S	
111	0353 0060B	Philips Pan Head Screw - M3x6	

7.PAPER CASSETTE (G047/G048)

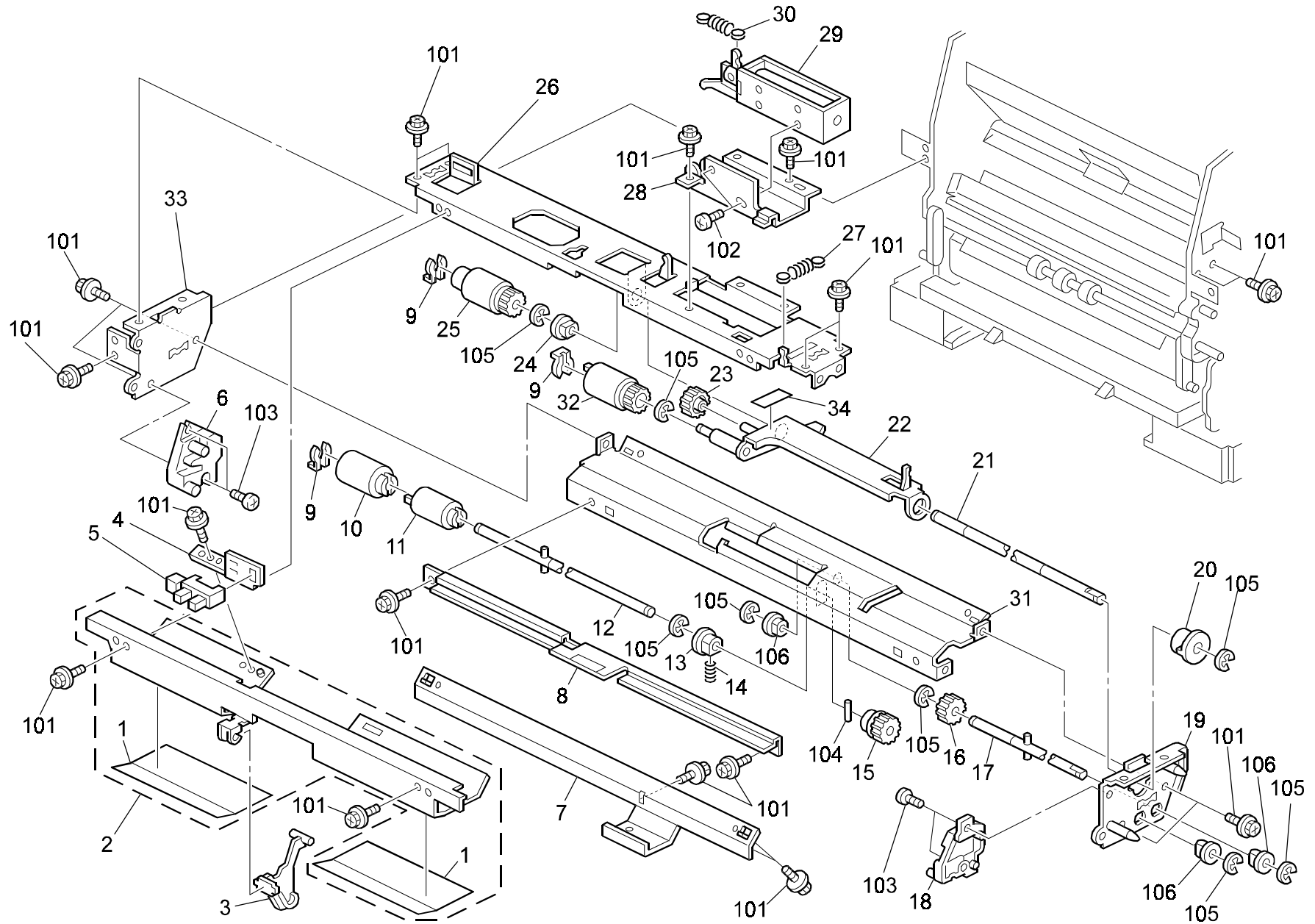


7.PAPER CASSETTE (G047/G048)

Index No.	Part No.	Description	Q'ty Per Assembly
1	G908 3186	Decal - Paper Size Dial	1
2	G024 3059	Decal - Paper Set	1
3	G024 3055	Cassette	1
4	G800 3129	Cassette Arm	2
5	G024 3075	Tension Spring	2
6	G024 3077	Spring Tube	2
7	G030 2575	Friction Pad Ass'y	1
8	G024 3078	Separation Compression Spring	1
9	G024 3062	Left Side Fence	1
10	G800 3149	Base Pad	1
11	G024 3068	Base Plate	1
12	G800 3133	Side Fence Gear	1
13	G024 3064	End Fence	1
14	G024 3060	Right Side Fence	1
15	G024 3085	Spring Plate	1
16	G908 3184	Paper Size Dial Ass'y	1

Index No.	Part No.	Description	Q'ty Per Assembly
101	0450 3006B	Tapping Screw - M3x6	
102	0452 3006B	Tapping Screw - M3x6	

8.BY-PASS FEED UNIT (G047/G048)

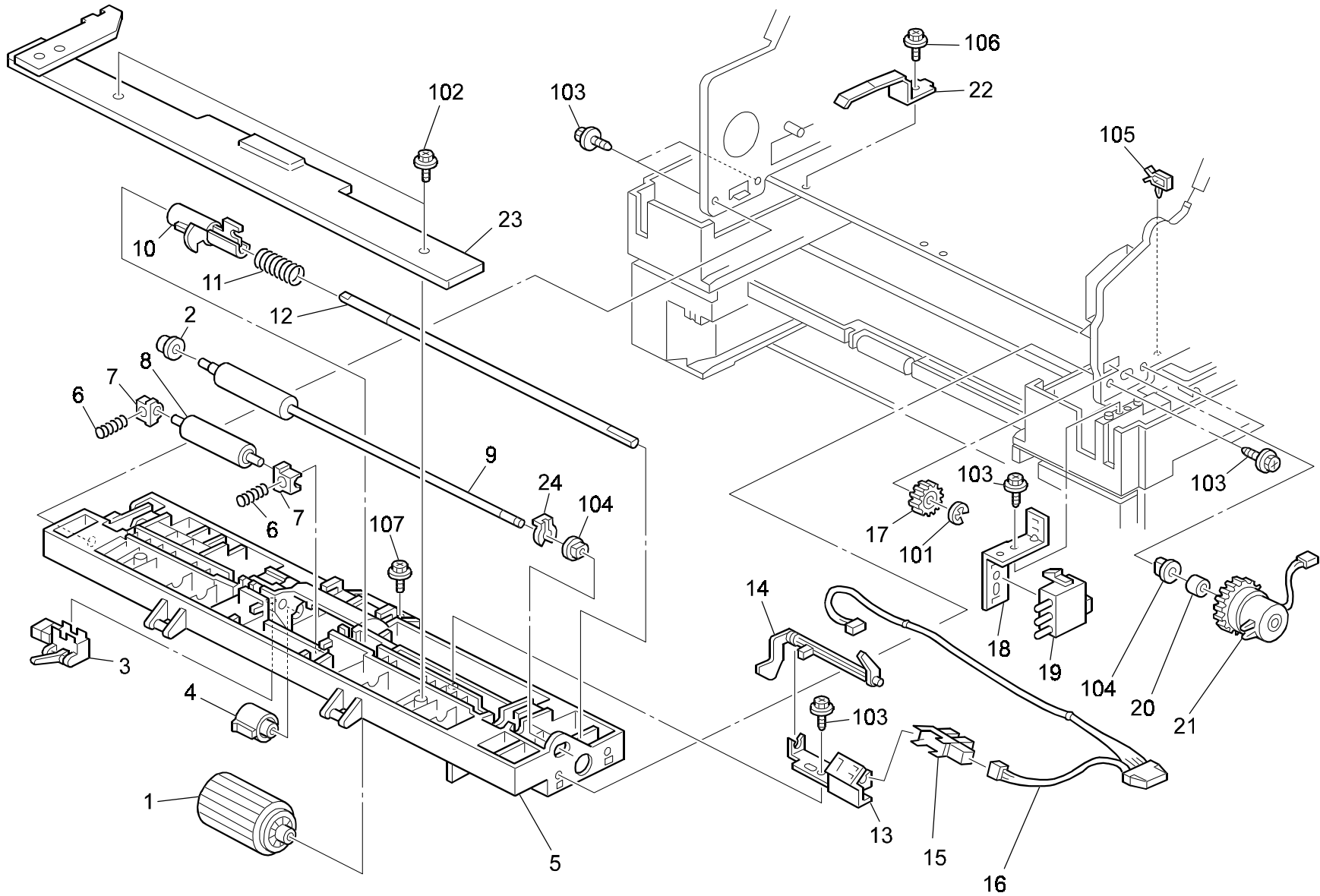


8.BY-PASS FEED UNIT (G047/G048)

Index No.	Part No.	Description	Q'ty Per Assembly
1	G024 3226	Guide Seal	2
2	G024 3224	Upper By-pass Feed Guide	1
3	G024 3351	Paper End Feeler	1
4	G024 3354	Sensor Bracket	1
5	AW02 0056	Photointerrupter - EE-SX4235A-P1	1
6	G024 3208	Left Holder - By-pass Feed	1
7	G024 3231	Support Guide Plate	1
8	G047 3221	Lower Stay	1
9	H521 3355	C Ring - Paper Feed Roller	3
10	AF03 2025	Separation Roller	1
11	A134 2674	Torque Limiter - 400fg	1
12	G024 3266	Separation Driven Shaft	1
13	AA08 0037	Bushing - 6mm	1
14	AA06 3499	Pressure Spring	1
15	AB01 1344	Gear - 16Z	1
16	AB01 1345	Gear - 20Z	1
17	G024 3262	Separation Drive Shaft	1
18	G024 3217	Right Holder - By-pass Feed	1
19	G024 3212	Right Side Plate	1
20	AA08 3010	Clutch Roller - 6x14x10	1
21	G024 3258	Feed Shaft	1
22	G047 3232	Pick-up Arm	1
23	AB01 1343	Idle Gear - 23z	1
24	H060 2126	Bushing - M6x7	1
25	G047 3257	Feed Roller	1
26	G024 3219	Upper Stay	1
27	G024 3274	Tension Spring	1
28	G024 3244	Solenoid Bracket	1
29	G024 3240	By-pass Feed Solenoid - DC24V	1
30	G024 3272	Tension Spring	1
31	G024 3227	Lower By-pass Feed Guide	1
32	AF03 0362	Pick-up Roller	1
33	G024 3206	Left Side Plate	1
34	G047 3236	Pick-up Arm Spacer	1

Index No.	Part No.	Description	Q'ty Per Assembly
101	0451 3006B	Tapping Screw - M3x6	
102	0313 0040B	Philips Pan Head Screw - M3x4	
103	0453 3006B	Tapping Screw - M3x6	
104	0622 0100E	Spring Pin - 2x10mm	
105	0720 0040B	Retaining Ring - M4	
106	0805 3480	Bushing - 6mm	

9.PAPER FEED SECTION (G047/G048)

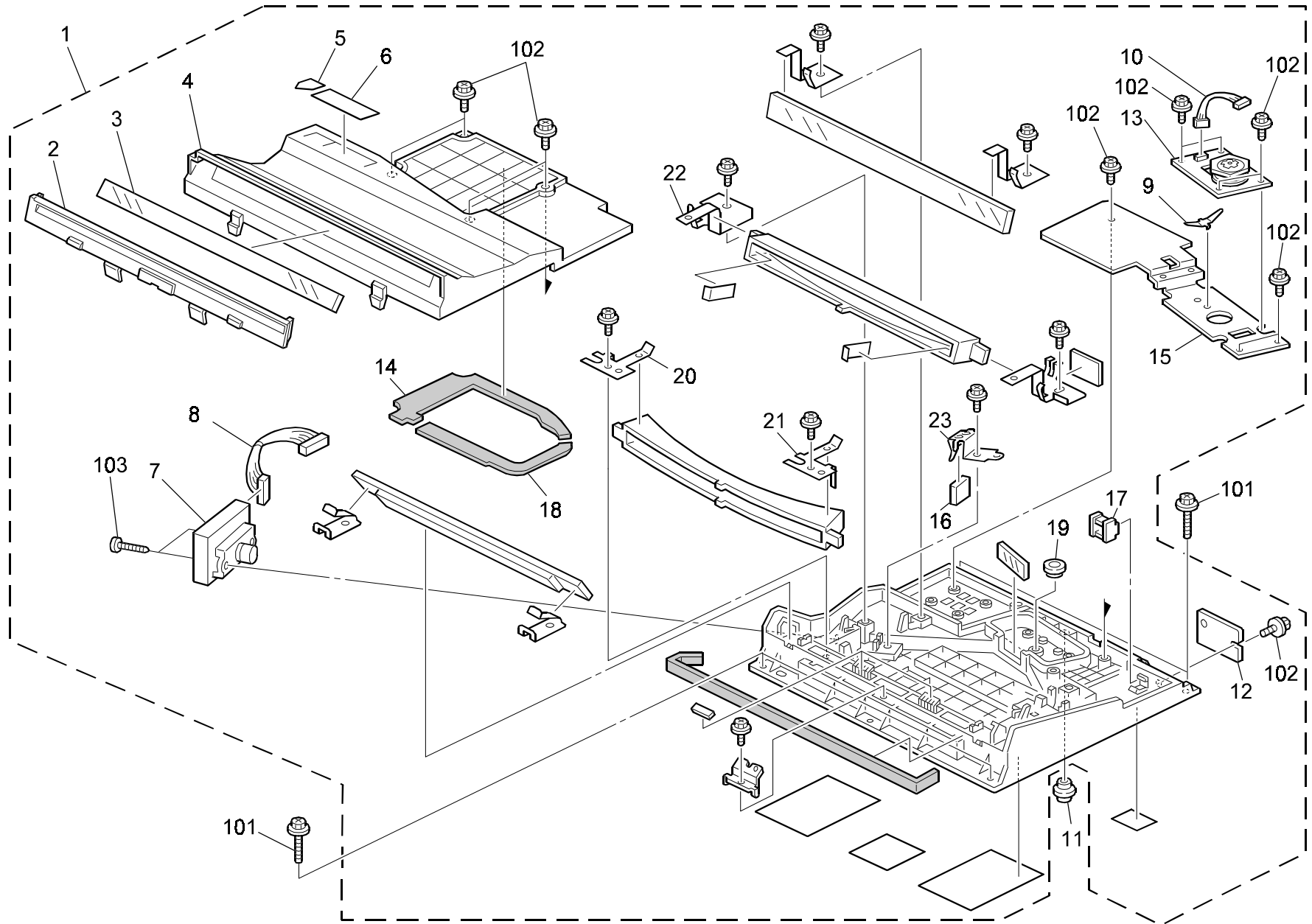


9.PAPER FEED SECTION (G047/G048)

Index No.	Part No.	Description	Q'ty Per Assembly
1	G800 3011	Paper Feed Roller	1
2	5443 2668	Bushing - 4x6x7mm	1
3	AW02 0110	Photointerruptor	1
4	G800 3017	Bushing	1
5	G024 3331	Paper Feed Guide	1
6	G024 3335	Compression Spring	2
7	G800 3333	Bushing - M4	2
8	G800 3332	Driven Roller	1
9	G024 3334	Middle Drive Roller	1
10	G800 3015	Bushing	1
11	G800 3021	Completion Spring	1
12	G024 3010	Paper Feed Roller Shaft	1
13	G024 1022	Paper Feed Sensor Bracket	1
14	G024 3022	Paper End Feeler	1
15	AW02 0056	Photointerrupter - EE-SX4235A-P1	1
16	G024 5128	Paper End Sensor Harness	1
17	G024 1893	Gear - 19Z	1
18	G024 3339	Switch Bracket	1
19	G800 3035	Push SW - Paper Size	1
20	A109 6425	Brush Roller Spacer	1
21	G024 5457	Paper Feed Clutch - 25Ncm	1
22	G024 3015	Grounding Plate	1
23	G024 3360	Supporting Plate - Paper Guide Ass'y	1
24	H521 3355	C Ring - Paper Feed Roller	1

Index No.	Part No.	Description	Q'ty Per Assembly
101	0720 0040B	Retaining Ring - M4	
102	0450 3008B	Tapping Screw - M3x8	
103	0450 4008B	Tapping Screw - 4x8	
104	0805 3480	Bushing - 6mm	
105	1105 0267	Harness Clamp - YMC-10-0	
106	0451 4006B	Tapping Screw - 4x6	
107	0450 3006B	Tapping Screw - M3x6	

10.OPTICAL UNIT (G047/G048)

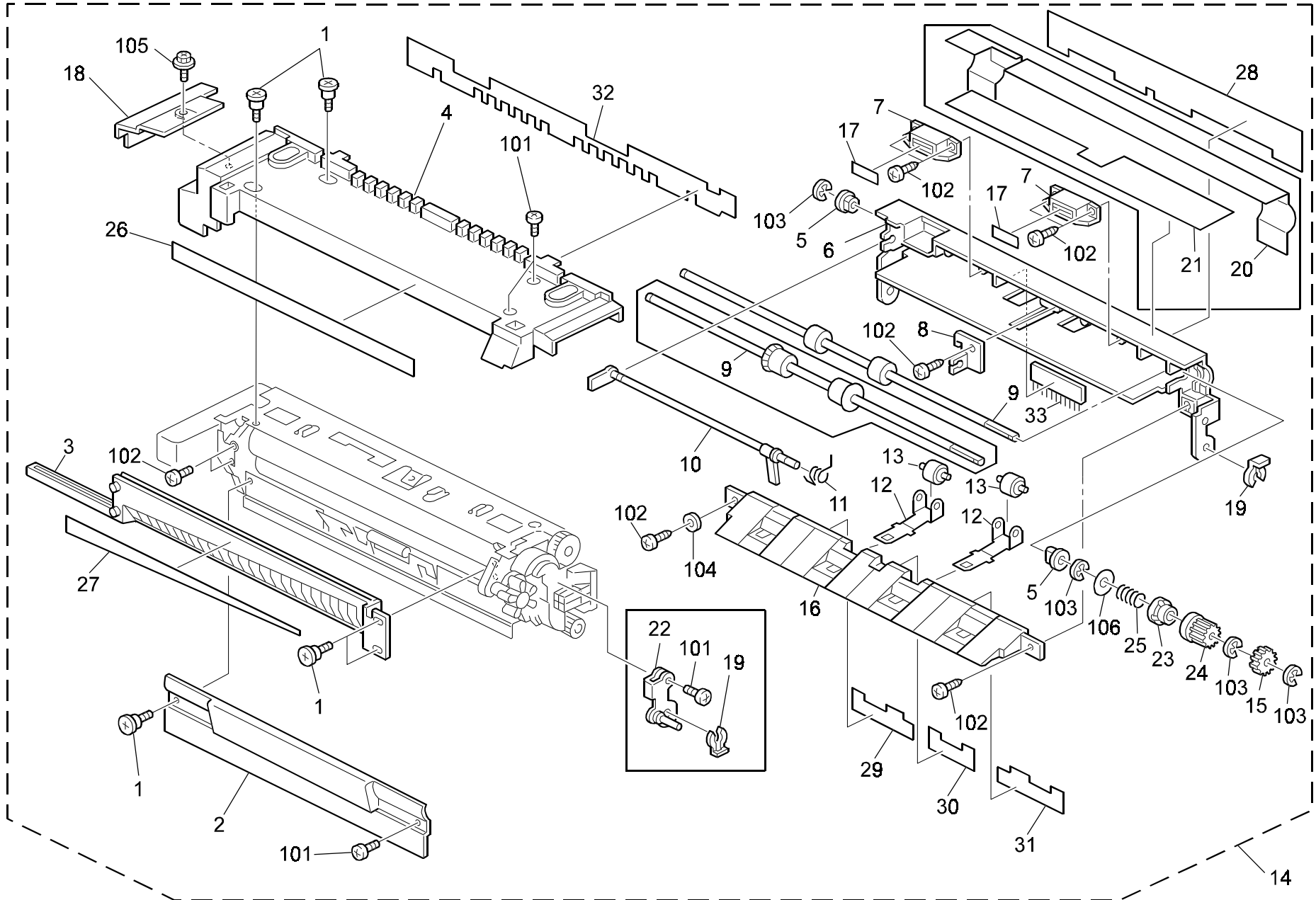


10.OPTICAL UNIT (G047/G048)

Index No.	Part No.	Description	Q'ty Per Assembly
1	G047 2755	Optical Unit	1
2	G024 2821	Shielding Plate	1
3	G024 2866	Dust Proof Glass	1
4	G024 2801	Optical Housing Cover	1
5	G020 1917	Decal - LD	1
6	G020 1918	Decal - Laser Diode (230V)	1
7	G047 2761	LD Unit	1
8	G024 5110	LD Unit Harness	1
9	G024 2843	Spring Plate - Polygon Motor	1
10	G020 5439	Harness - Polygon Mirror Motor	1
11	G024 2835	Positioning Pin	1
12	G024 5360	Sync Detector Board	1
13	AX06 0181	Polygon Mirror Motor	1
14	G024 2833	Seal - Optical Housing Cover	1
15	G024 2840	Heatsink - Polygon Motor	1
16	G024 2867	Sync Detect Mirror	1
17	G029 1975	Cylindrical Lens	1
18	G047 2834	Seal - Polygon Mirror	1
19	A232 1916	Collar - Polygon Motor	1
20	A232 1921	Front Holder - F Theta Mirror	1
21	A232 1922	Rear Holder - F Theta Mirror	1
22	A232 1923	Front Holder - BTL	1
23	A232 1927	Cylindrical Lens Holder	1

Index No.	Part No.	Description	Q'ty Per Assembly
101	0360 4010B	Hexagonal Head Screw - M4X10	
102	0450 3008B	Tapping Screw - M3x8	
103	0452 3010B	Tapping Bind Screw - M3x10	

11.FUSING UNIT 1 (G047/G048)

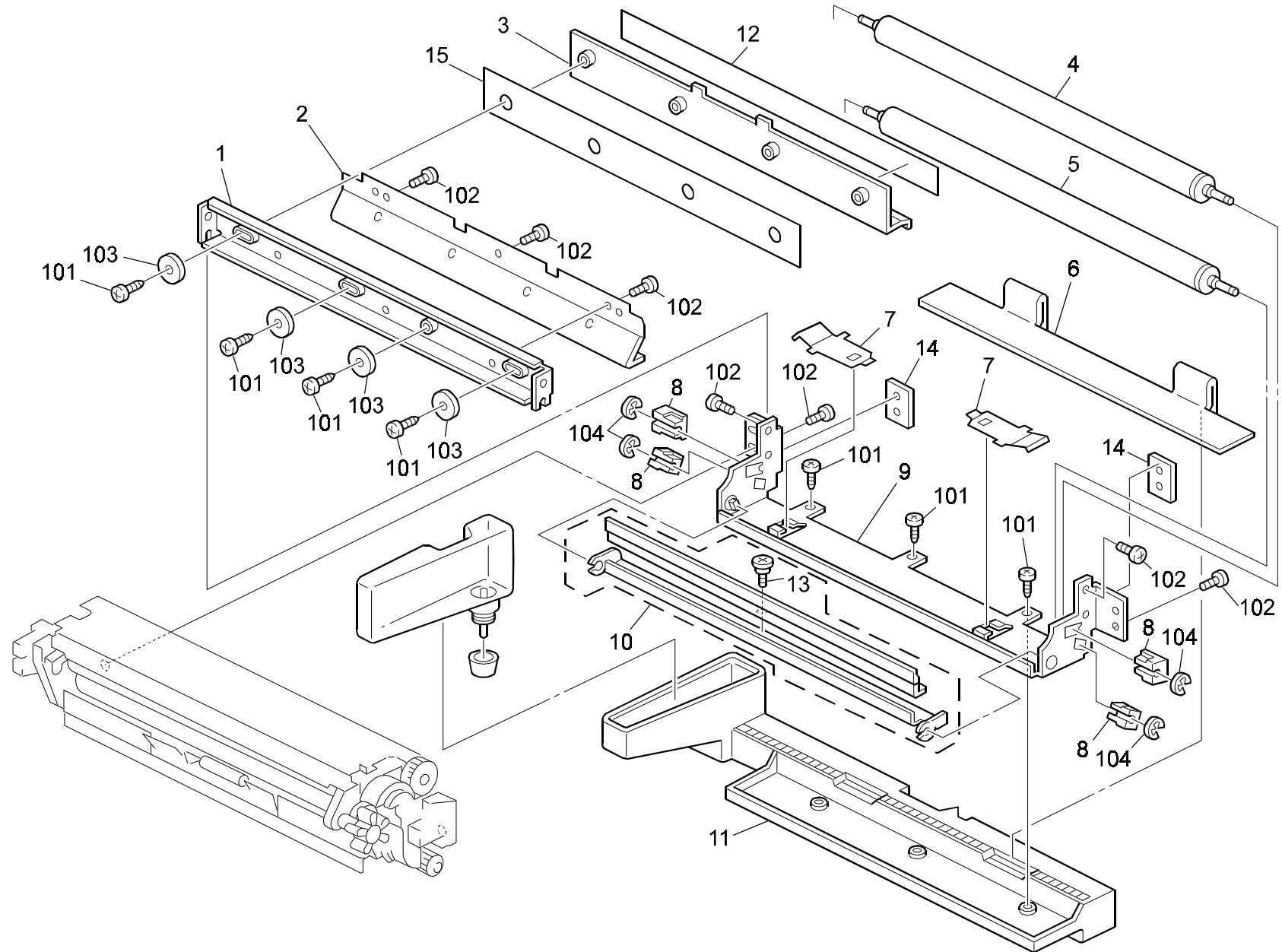


11.FUSING UNIT 1 (G047/G048)

Index No.	Part No.	Description	Q'ty Per Assembly
1	AA14 3025	Stepped Screw - M3	5
2	G024 4640	Fusing Entrance Guide - Lower	1
3	G047 4644	Oil Sump	1
4	G047 4670	Fusing Cover	1
5	H053 1600	Bushing - 6mm	2
6	G024 4769	Exit Frame (G047)	1
6	G047 4769	Exit Frame (G048)	1
7	G024 4777	Magnetic Catch	2
8	G024 4775	Sensor Feeler Holder	1
9	G024 4710	Exit Roller (G047)	1
9	G047 4710	Exit Roller - M18 (G048)	1
10	G024 4774	Paper Feed Sensor Feeler	1
11	AA06 6273	Spring	1
12	G024 4773	Exit Roller Holder	2
13	G047 4785	Idle Roller	2
14	G047 4501	Fusing Unit - NA (G047)	1
14	G047 4502	Fusing Unit - EU (G047)	1
14	G048 4501	Fusing Unit - NA (G048)	1
14	G048 4502	Fusing Unit - EU (G048)	1
15	G047 4758	Exit Drive Gear	1
15	G047 4759	Drive Gear - 17z	1
16	G024 4772	Fusing Exit Guide	1
17	G024 4792	Magnetic Catch Seal	2
18	G047 4672	Small Fusing Cover	1
19	5206 2686	Snap Ring	1
20	G024 4851	Exit Guide Outer Mylar (G047)	1
21	G024 4850	Exit Guide Middle Mylar (G047)	1
22	G024 4796	Right Bracket - Paper Exit (G047)	1
23	G024 4768	Torque Limiter	1
24	G024 4759	Gear - 15Z	1
25	A470 1704	Spring - Lower Exit Roller (G048)	1
25	AA06 3504	Spring - Lower Exit Roller (G048)	1
26	G047 4852	Fusing Cover Sheet	1
27	G047 4646	Decal - High Temp. Warning	1
28	G047 4851	Knob Sheet (G048)	1

Index No.	Part No.	Description	Q'ty Per Assembly
29	G024 4856	Left Guide Mylar (G047)	1
29	G047 4856	Sheet - Right Guide Plate (G048)	1
30	G024 4857	Middle Guide Mylar (G047)	1
30	G047 4857	Sheet - Middle Guide Plate (G048)	1
31	G024 4858	Right Guide Mylar (G047)	1
31	G047 4858	Sheet - Left Guide Plate (G048)	1
32	G024 4860	Fusing Cover Seal	1
33	G047 4875	Discharge Brush - Fusing Unit (G047)	1
101	0353 0060B	Philips Pan Head Screw - M3x6	
102	0452 3006B	Tapping Screw - M3x6	
103	0720 0060B	Retaining Ring - M6	
104	0807 2034	Washer - M3.5	
105	0353 0080B	Screw - M3X8	
106	0807 4072	Washer - Core	

12.FUSING UNIT 2 (G047/G048)

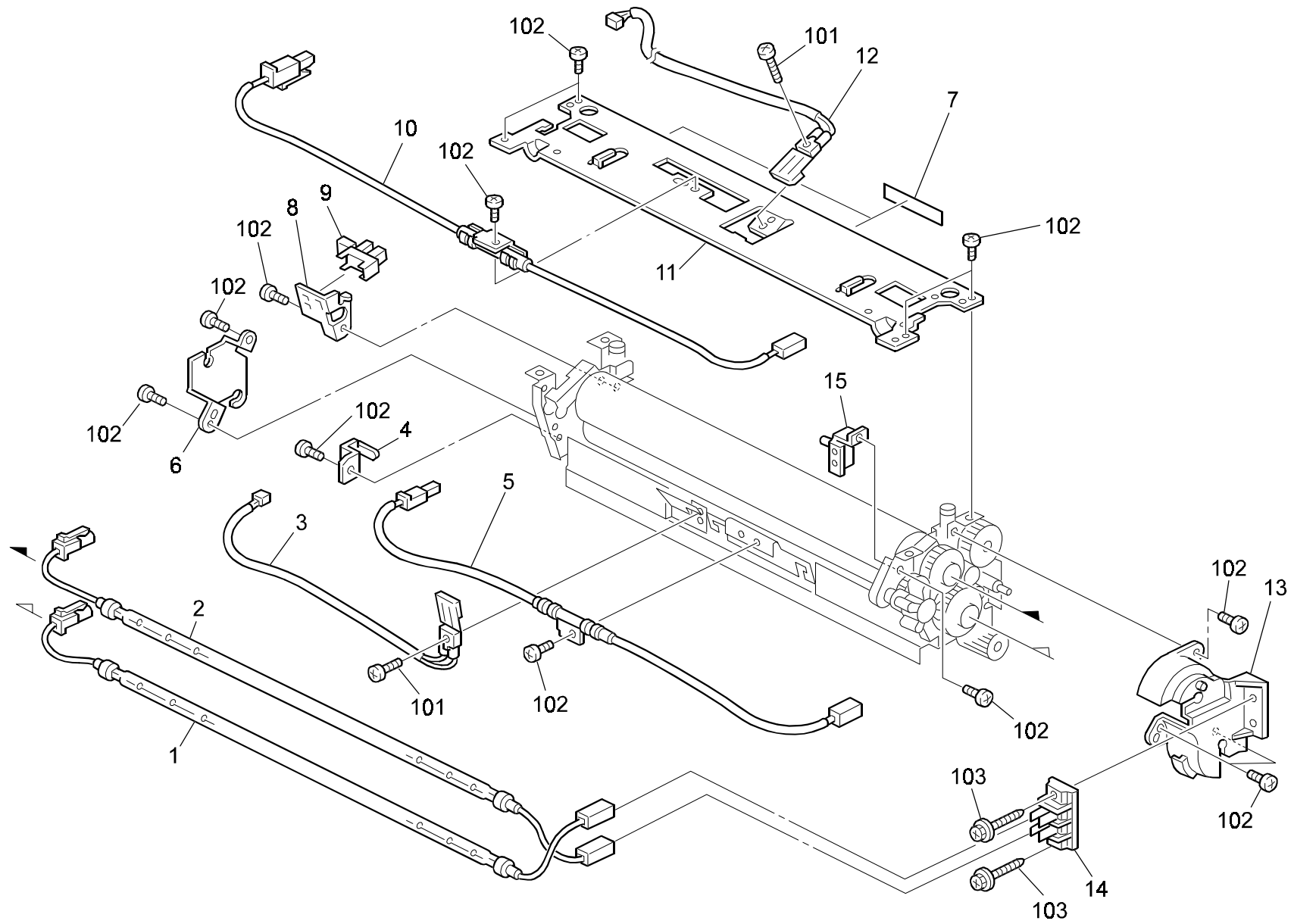


12.FUSING UNIT 2 (G047/G048)

Index No.	Part No.	Description	Q'ty Per Assembly
1	G024 4647	Oil Supply Stay	1
2	G024 4664	Oil Pad	1
3	G024 4784	Exit Cover	1
4	G024 4750	Oil Supply Roller	1
5	G024 4751	Oil Supply Sub Roller	1
6	G024 4668	Oil Supply Pad	1
7	G024 4653	Spring Plate	2
8	AE03 1022	Bushing - 4mm	4
9	G024 4651	Oil Supply Frame	1
10	G047 4763	Blade - G047 - Ass'y	1
11	G024 4655	Oil Reservoir	1
12	G024 4859	Exit Outer Mylar	1
12	G047 4859	Exit Sheet	1
13	AA14 3516	Stepped Screw - Max5	1
14	G047 4860	Rear Inner Sheet	2
15	G047 4853	Exit Cover Sheet	1

Index No.	Part No.	Description	Q'ty Per Assembly
101	0450 3006B	Tapping Screw - M3x6	
102	0353 0060B	Philips Pan Head Screw - M3x6	
103	0807 2034	Washer - M3.5	
104	0720 0040B	Retaining Ring - M4	

13.FUSING UNIT 3 (G047/G048)

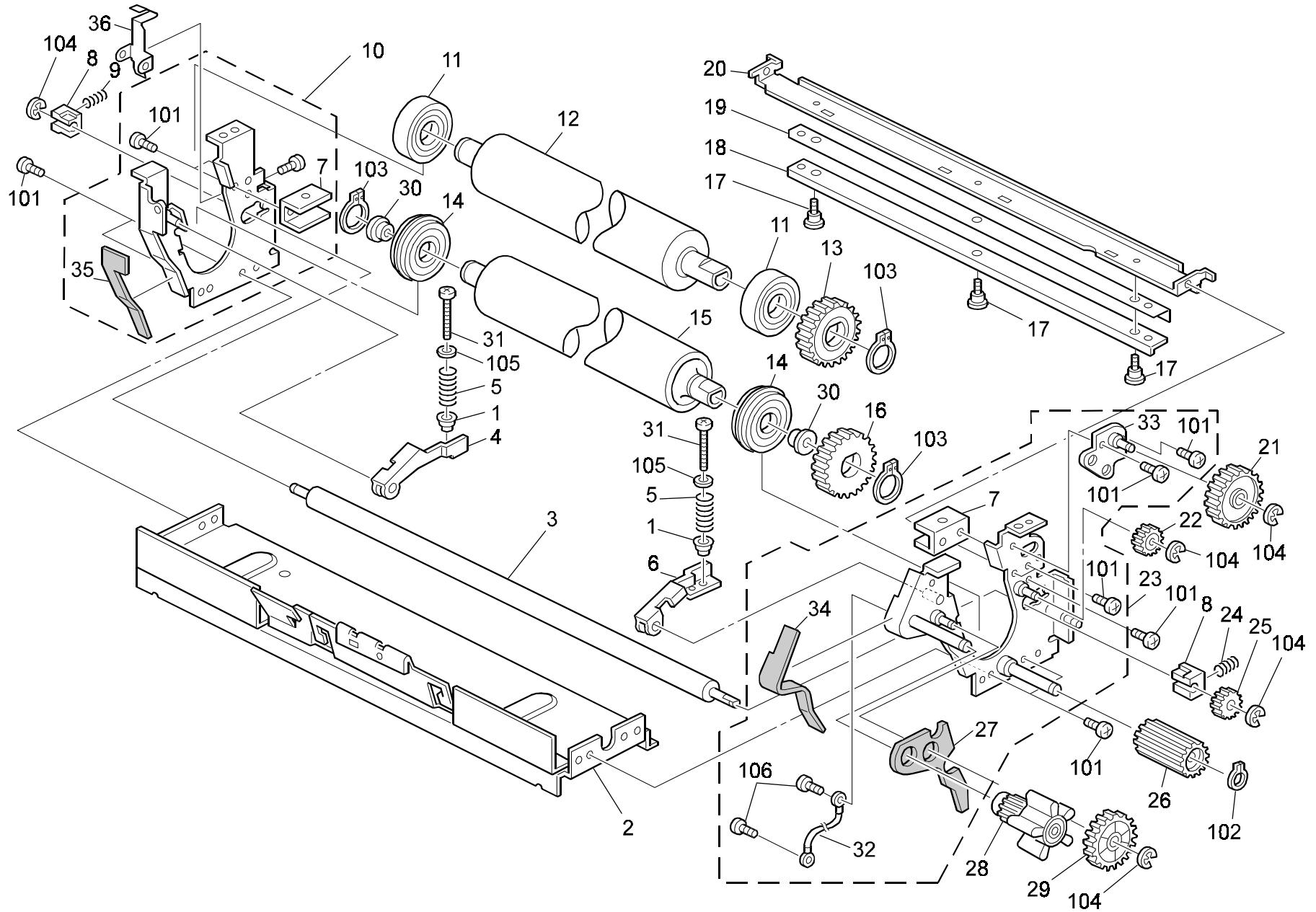


13.FUSING UNIT 3 (G047/G048)

Index No.	Part No.	Description	Q'ty Per Assembly
1	G047 4764	Hot Roller Lamp - 120V - 600W	1
1	G047 4767	Hot Roller Lamp - 230V - 600W	1
2	G047 4766	Pressure Roller Lamp - 120V - 400W	1
2	G047 4768	Pressure Roller Lamp - 230V - 400W	1
3	G047 4682	Fusing Thermistor	1
4	G024 4626	Harness Guide	1
5	G047 4685	Hot Roller Thermofuse	1
6	G024 4691	Left Heater Holder	1
7	G024 4855	Upper Stay Seal	2
8	G024 4695	Sensor Bracket	1
9	AW02 0086	Photointerruptor	1
10	G047 4686	Pressure Roller Thermofuse	1
11	G047 4631	Upper Stay	1
12	G047 4683	Pressure Roller Thermistor	1
13	G024 4692	Right Heater Holder	1
14	A204 4074	Terminal Connector - 2p	1
15	G047 4638	Bracket - Contact Point - Blade - R	1

Index No.	Part No.	Description	Q'ty Per Assembly
101	0353 0080B	Screw - M3X8	
102	0353 0060B	Philips Pan Head Screw - M3x6	
103	0450 3014B	Tapping Screw - M3x14	

14.FUSING UNIT 4 (G047/G048)

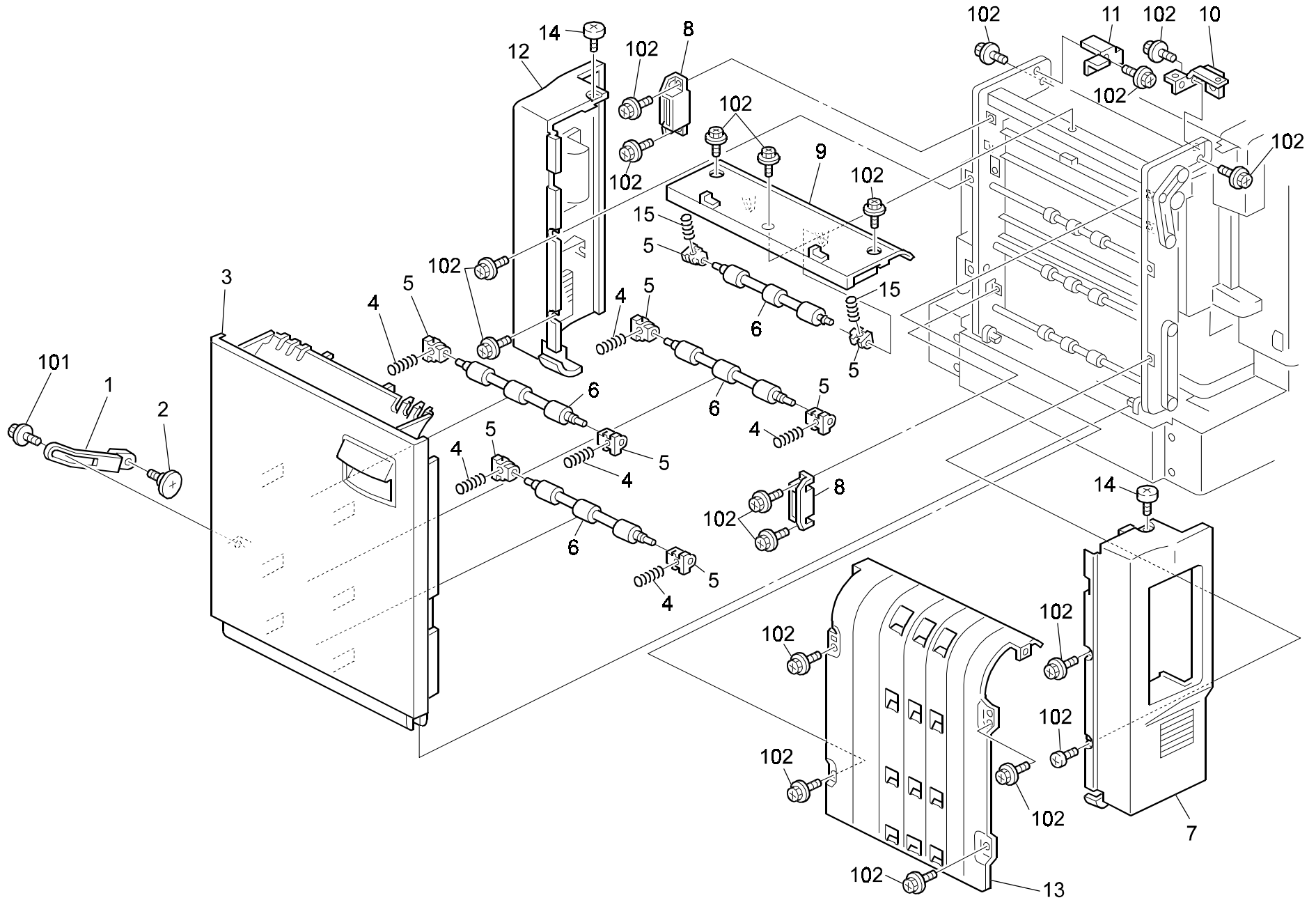


14.FUSING UNIT 4 (G047/G048)

Index No.	Part No.	Description	Q'ty Per Assembly
1	G024 4663	Pressure Collar	2
2	G024 4628	Lower Stay	1
3	G024 4760	Fusing Cleaning Roller	1
4	G024 4661	Left Pressure Lever	1
5	G024 4757	Compression Spring	2
6	G024 4660	Right Pressure Lever	1
7	G024 4641	Adjusting Screw Bracket	2
8	AE03 1021	Bushing - 6mm	2
9	AA06 3284	Spring	1
10	G047 4617	Left Side Plate	1
11	G024 4612	Ball Bearing - 20x37x9	2
12	G047 4610	Pressure Roller - M45	1
13	G024 4613	Gear - 46Z	1
14	AE03 0024	Ball Bearing - 25x39.8x7	2
15	G047 4600	Hot Roller	1
16	G047 4603	Gear - 47z	1
17	G024 4675	Screw - M4	3
18	G024 4674	Scraper Holder	1
19	G024 4673	Cleaning Roller Scraper	1
20	G024 4672	Scraper Stay	1
21	G024 4761	Idle Gear - 30z	1
22	G024 4763	Idle Gear - 19z	1
23	G047 4616	Right Side Plate (G047)	1
23	G048 4616	Right Side Plate (G048)	1
24	AA06 3285	Spring	1
25	G024 4758	Gear - 14Z	1
26	G024 4701	Hot Roller Drive Gear	1
27	G024 4837	Right Outer Sheet	1
28	G024 4754	Fusing Knob	1
29	G024 4762	Idle Gear - 26z (G047)	1
29	G047 4762	Drive Gear - 27z (G048)	1
30	AE03 2001	Bushing - 20mm	2
31	G024 4853	Pressure Shaft - M5	2
32	G024 4868	Grounding Wire	1
33	G047 4627	Side Plate Bracket	1

Index No.	Part No.	Description	Q'ty Per Assembly
34	G047 4838	Right Fiber Sheet	1
35	G047 4839	Outer Left Sheet	1
36	G047 4873	Grounding Spring Plate	1
101	0353 0060B	Philips Pan Head Screw - M3x6	
102	0727 0080E	Retaining Ring - M8	
103	0725 0200E	Retaining Ring C - M20	
104	0720 0040B	Retaining Ring - M4	
105	0708 0050B	Washer - M5	
106	0801 0149	Philips Pan Head Screw - M4x6	

15.VERTICAL TRANSPORT 1 (G048)

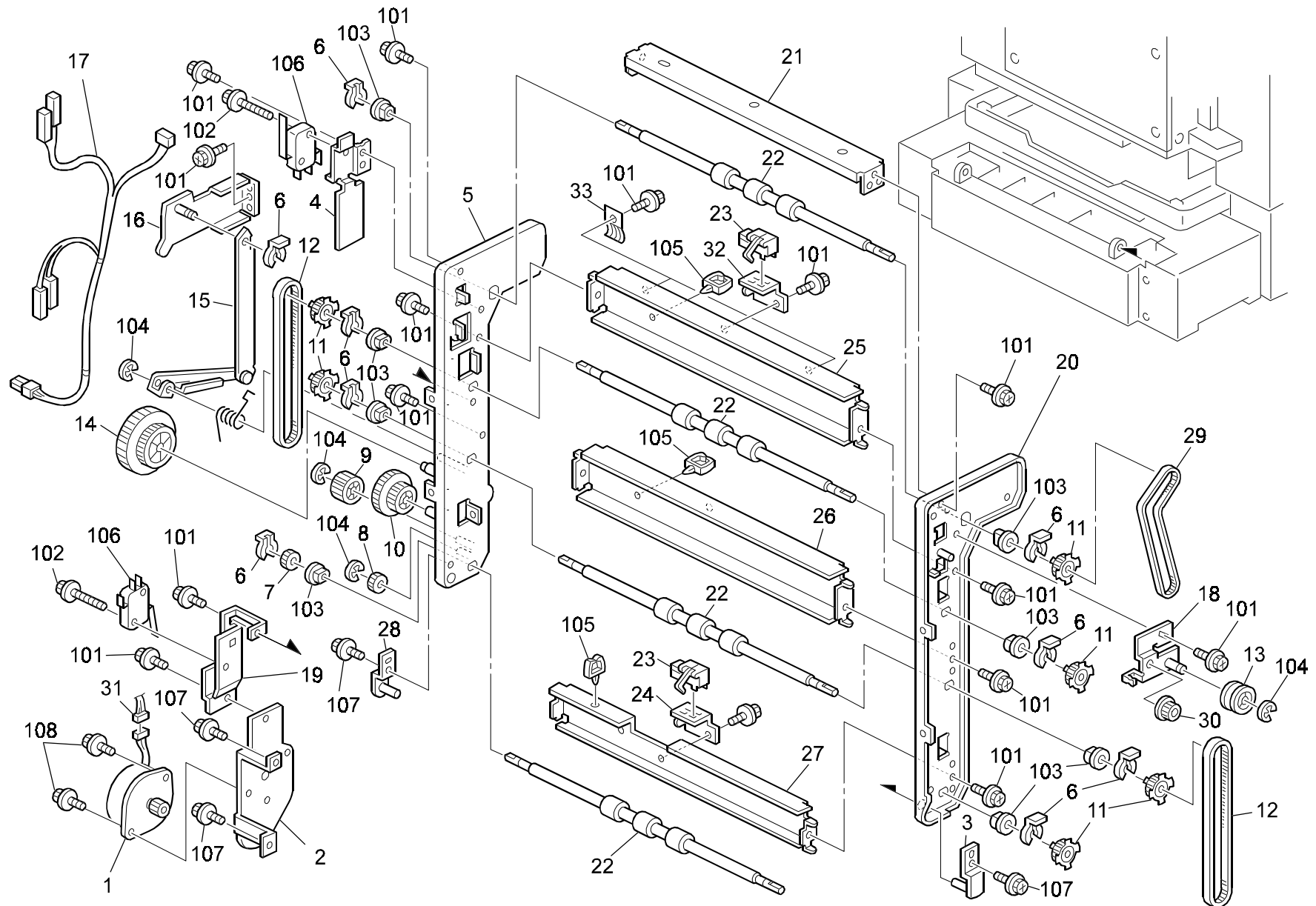


15.VERTICAL TRANSPORT 1 (G048)

Index No.	Part No.	Description	Q'ty Per Assembly
1	G048 7443	Lever	1
2	AA14 3288	Stepped Screw	1
3	G048 7429	Middle Cover - Transport Unit	1
4	G048 7452	Spring	6
5	G048 7448	Bushing	8
6	G048 7126	Transport Idle Roller - Reverse	4
7	G048 7433	Left Cover - Transport Unit	1
8	G024 4777	Magnetic Catch	1
9	G048 7432	Upper Cover - Transport Unit	1
10	G048 7422	Bracket - Left Side Plate	1
11	G048 7418	Bracket - Right Side Plate	1
12	G048 7431	Right Cover - Transport Unit	1
13	G048 7427	Guide Plate - Upper Transport	1
14	G020 1391	Screw - M3X4.5	1
15	G048 7458	Spring	2

Index No.	Part No.	Description	Q'ty Per Assembly
101	0450 3008B	Tapping Screw - M3x8	
102	0451 3006B	Tapping Screw - M3x6	

16.VERTICAL TRANSPORT 2 (G048)

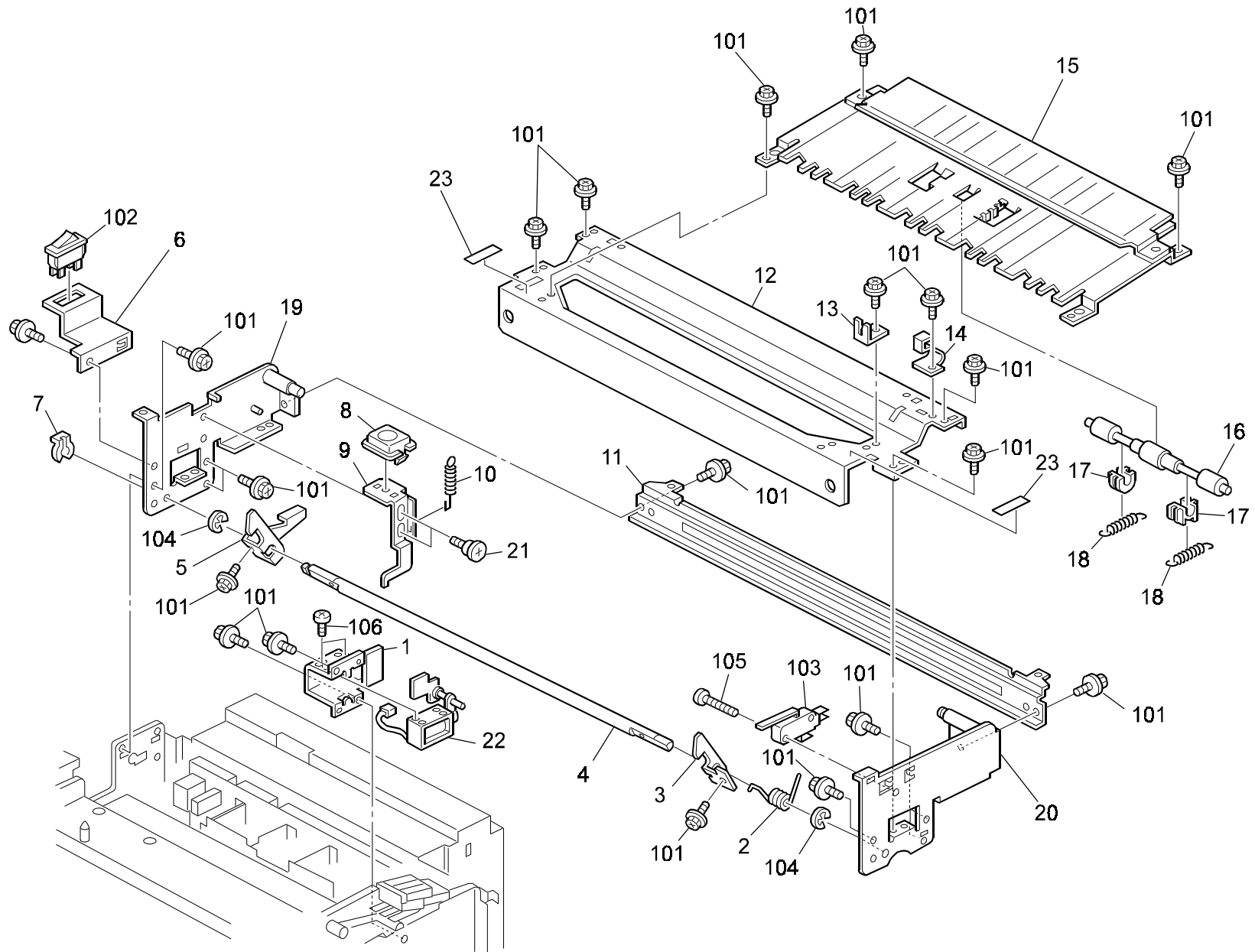


16.VERTICAL TRANSPORT 2 (G048)

Index No.	Part No.	Description	Q'ty Per Assembly
1	H516 5052	Stepper Motor - Paper Feed 24VDC13W	1
2	G048 7439	Stepper Motor Bracket	1
3	G048 7413	Left Positioning Pin	1
4	G048 7453	Safety Switch Bracket	1
5	G048 7400	Right Side Plate	1
6	H521 3355	C Ring - Paper Feed Roller	7
7	G048 7438	Transport Drive Gear	1
8	G048 7437	Idle Gear - z18	1
9	G048 7436	Idle Gear - z24	1
10	G048 7435	Gear - z42/28	1
11	AB03 0474	Pulley - 24T	6
12	AA04 3373	Timing Belt - S2M308	2
13	AB03 0431	Transport Pulley	1
14	G048 7434	Gear - z100/36	1
15	A232 4790	Link - Duplex Unit	1
16	G048 7456	Link Bracket	1
17	G048 5147	Harness - Vertical Transport Unit	1
18	G048 7440	Tightner Bracket	1
19	G048 7457	Bracket - Safety Switch Cover	1
20	G048 7401	Left Side Plate	1
21	G048 7426	Upper Cover Stay	1
22	G048 7081	Transport Roller - Duplex	3
23	AW02 0098	Photosensor	2
24	G048 7460	Lower Paper Feed Sensor Bracket	1
25	G048 7423	Upper Transport Stay	1
26	G048 7424	Middle Transport Stay	1
27	G048 7425	Lower Transport Stay	1
28	G048 7412	Right Positioning Pin	1
29	AA04 3375	Timing Belt - S2M 300	1
30	AB03 0476	Pulley - 16Z	1
31	G048 5145	Harness - Stepper Motor	1
32	G048 7466	Upper Paper Feed Sensor Bracket	1
33	G048 7465	Grounding Plate - Transport Unit	1

Index No.	Part No.	Description	Q'ty Per Assembly
101	0451 3006B	Tapping Screw - M3x6	
102	0451 3014B	Tapping Screw - M3-14	
103	0805 3480	Bushing - 6mm	
104	0720 0040B	Retaining Ring - M4	
105	1105 0511	Harness Clamp - LWS-0306ZC	
106	1204 2355	Micro Switch - AM51632A531	
107	0802 5276	Tapping Screw With Washer - M3x6	
108	0453 3006B	Tapping Screw - M3x6	

17.PAPER EXIT SECTION 1 (G048)

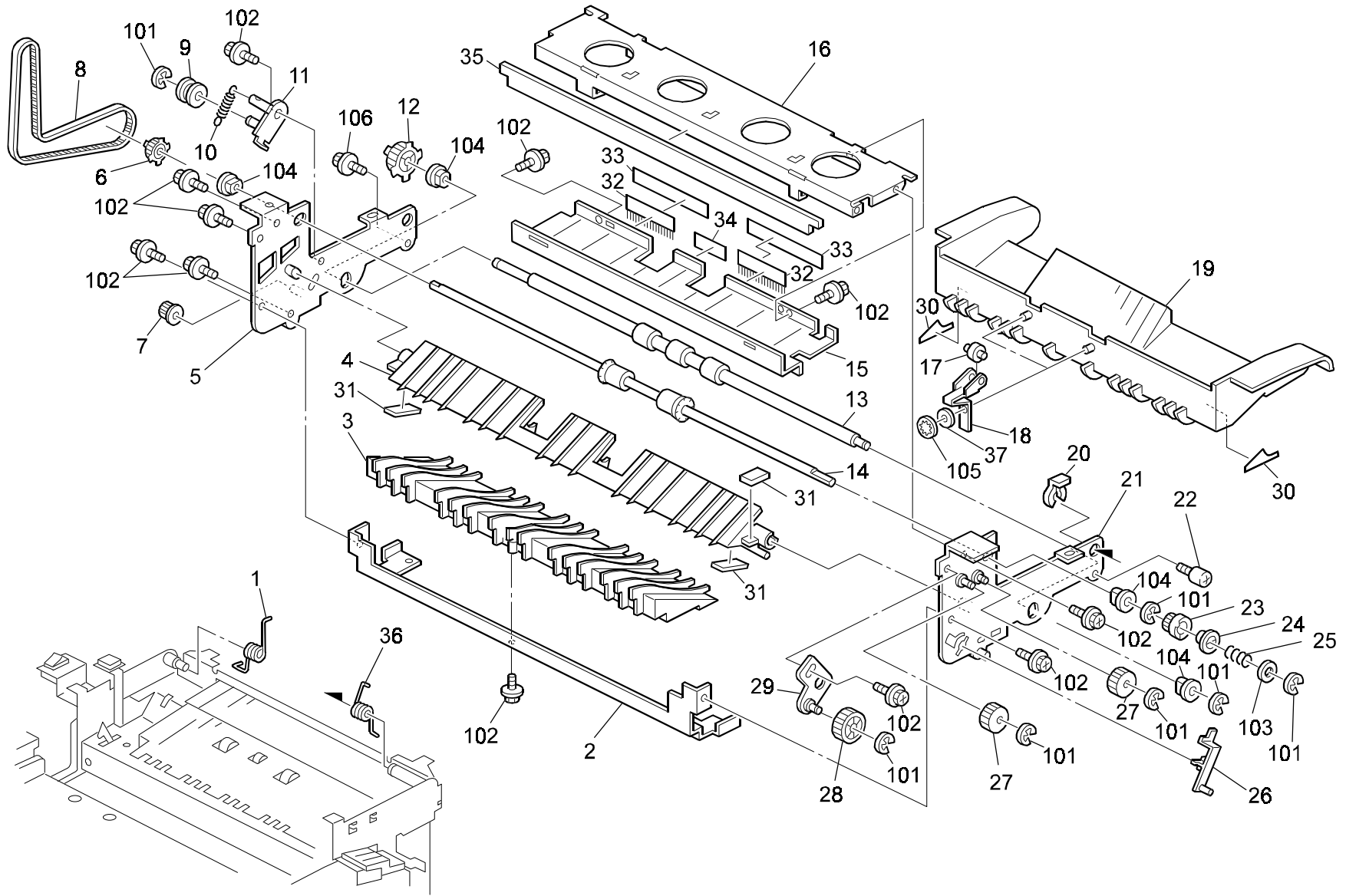


17.PAPER EXIT SECTION 1 (G048)

Index No.	Part No.	Description	Q'ty Per Assembly
1	G048 7697	Bracket - DC Solenoid	1
2	G047 1075	Torsion Spring	1
3	G047 1073	Lock Pawl - Ppaper Exit Unit	1
4	G047 1072	Lock Shaft - Paper Exit Unit	1
5	G047 1074	Lock Bracket - Paper Exit Unit	1
6	G047 1082	Main Switch Holder	1
7	H521 3355	C Ring - Paper Feed Roller	1
8	G047 1062	Unlock Button - Paper Exit Unit	1
9	G047 1061	Unlock Holder - Paper Exit Unit	1
10	G047 1063	Button Spring	1
11	G048 1091	Stay - Vertical Transport	1
12	G047 1085	Rear Upper Stay	1
13	G047 1086	Positioning Plate - Paper Exit Unit	1
14	G047 1088	Spring Plate - Paper Exit	1
15	G048 7602	Guide Plate - Transport Unit	1
16	G024 3314	Transport Driven Roller	1
17	G024 3315	Busing	2
18	AA06 0436	Tray Lock Spring	2
19	G047 1051	Left Side Plate	1
20	G047 1101	Right Side Plate	1
21	G004 3519	Stepping Screw	2
22	G048 7692	DC Solenoid	1
23	G048 7680	Paper Exit Unit Cushion	2

Index No.	Part No.	Description	Q'ty Per Assembly
101	0451 3006B	Tapping Screw - M3x6	
102	1204 2468	Switch - AC250/16A	
103	1204 2355	Micro Switch - AM51632A531	
104	0720 0040B	Retaining Ring - M4	
105	0353 0140B	Bind Screw - M3x14	
106	0313 0040B	Philips Pan Head Screw - M3x4	

18.PAPER EXIT SECTION 2 (G048)

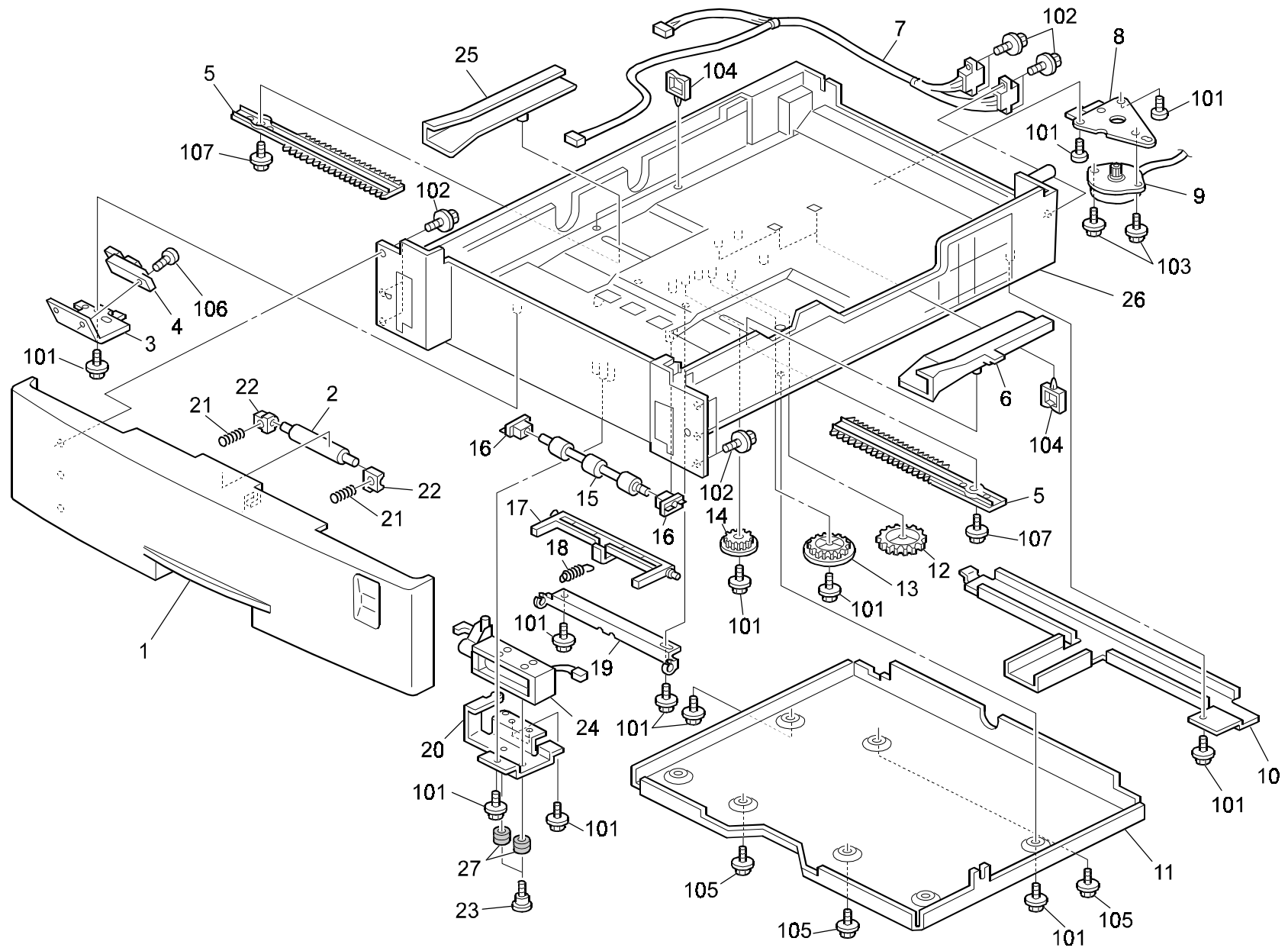


18.PAPER EXIT SECTION 2 (G048)

Index No.	Part No.	Description	Q'ty Per Assembly
1	G047 1056	Torsion Spring - Left Paper Exit	1
2	G047 7616	Stay - Lower Transport Unit	1
3	G048 7620	Lower Transport Guide	1
4	G047 7618	Exit Pawl	1
5	G047 7670	Side Plate - Transport Unit	1
6	AB03 0474	Pulley - 24T	1
7	AB03 0476	Pulley - 16Z	1
8	G048 7627	Timing Belt - S2M 274	1
9	AB03 0431	Transport Pulley	1
10	AA06 0263	Clutch Spring	1
11	G048 7640	Belt Tension Bracket	1
12	G048 7698	Transport Roller Pulley	1
13	G048 7630	Transport Roller - Paper Exit Unit	1
14	G047 7610	Exit Roller - Paper Exit Unit	1
15	G047 7646	Guide Plate - Upper Exit	1
16	G047 7614	Stay - Upper Transport Unit	1
17	A166 4017	Driven Roller	2
18	G047 7624	Spring Plate - Exit Roller	1
19	G047 1504	Transport Unit Cover	1
20	5215 2621	Snap Ring - M6	1
21	G047 7654	Side Plate - Transport Unit	1
22	5409 1855	Mounting Pin	1
23	G024 4759	Gear - 15Z	1
24	G024 4768	Torque Limiter	1
25	AA06 3504	Spring - Lower Exit Roller	1
26	G048 7650	Link	1
27	AB01 3683	Gear - 16Z	1
28	G048 7622	Idle Gear - z19	1
29	G048 7656	Adjustment Plate - Idle Gear	1
30	G048 7632	Transport Roller Gude	2
31	G048 7672	Pawl Cushion	3
32	G048 7670	Discharge Brush - Paper Exit Unit	2
33	G048 7664	Rear Left Heat Shield	2
34	G048 7666	Rear Middle Heat Shield	1
35	G048 7662	Upper Front Heat Shield	1

Index No.	Part No.	Description	Q'ty Per Assembly
36	G047 1106	Right Torsion Spring	1
37	G048 7610	Cushion - 8mm	1
101	0720 0040B	Retaining Ring - M4	
102	0451 3006B	Tapping Screw - M3x6	
103	0807 4066	Washer-6.2x12x0.5	
104	0805 3480	Bushing - 6mm	
105	0805 0072	Cs Ring	
106	0450 4010B	Tapping Screw - 4x10	

19.DUPLEX UNIT 1 (G048)

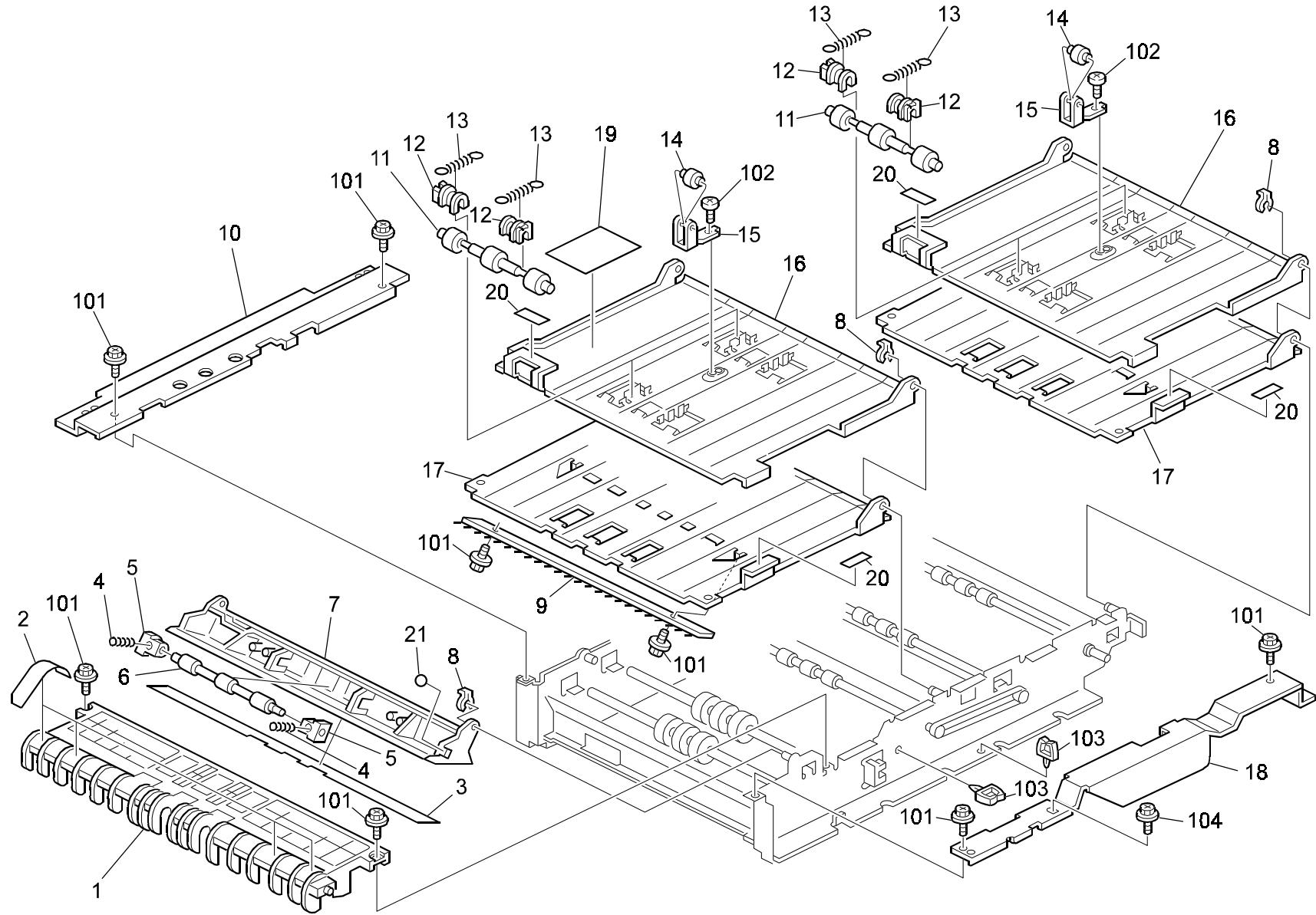


19.DUPLEX UNIT 1 (G048)

Index No.	Part No.	Description	Q'ty Per Assembly
1	G048 7045	Front Cover - Reverse Unit	1
2	G800 3332	Driven Roller	1
3	G048 7162	Sensor Bracket	1
4	AW01 0088	Sensor GP2A200LCS - Assembly	1
5	G048 7137	Jogger Fence Rack	2
6	G048 7136	Right Jogger Fence	1
7	G048 5139	Harness - Reverse Unit Drawer	1
8	G048 7141	Bracket - Jogger Stepper Motor	1
9	A134 5292	Jogger Drive Motor DC 10.56W	1
10	G048 7174	Lower Rear Cover	1
11	G048 7164	Lower Cover	1
12	AB01 7400	Gear- 18z/68z	1
13	AB01 3881	Gear - 31Z	1
14	G011 3305	Gear - 16T	1
15	G048 7126	Transport Idle Roller - Reverse	1
16	G048 7144	Bushing - Transport Roller	2
17	G048 7155	Lever	1
18	G048 7158	Tension Spring - DC Solenoid	1
19	G048 7156	Bracket	1
20	G048 7147	DC Solenoid Bracket	1
21	G048 7047	Compression Spring	2
22	G800 3333	Bushing - M4	2
23	G048 7152	Screw - M3.5	2
24	G048 7149	DC Solenoid	1
25	G048 7135	Left Jogger Fence	1
26	G048 7102	Reverse Tray	1
27	G048 7148	Bushing - M3.5	2

Index No.	Part No.	Description	Q'ty Per Assembly
101	0450 3008B	Tapping Screw - M3x8	
102	0452 3008B	Tapping Screw - M3x8	
103	0453 3006B	Tapping Screw - M3x6	
104	1105 0230	Clamp	
105	0451 3006B	Tapping Screw - M3x6	
106	0353 0040B	Screw - M3X4	
107	0450 3010B	Tapping Screw - M3x10	

20.DUPLEX UNIT 2 (G048)

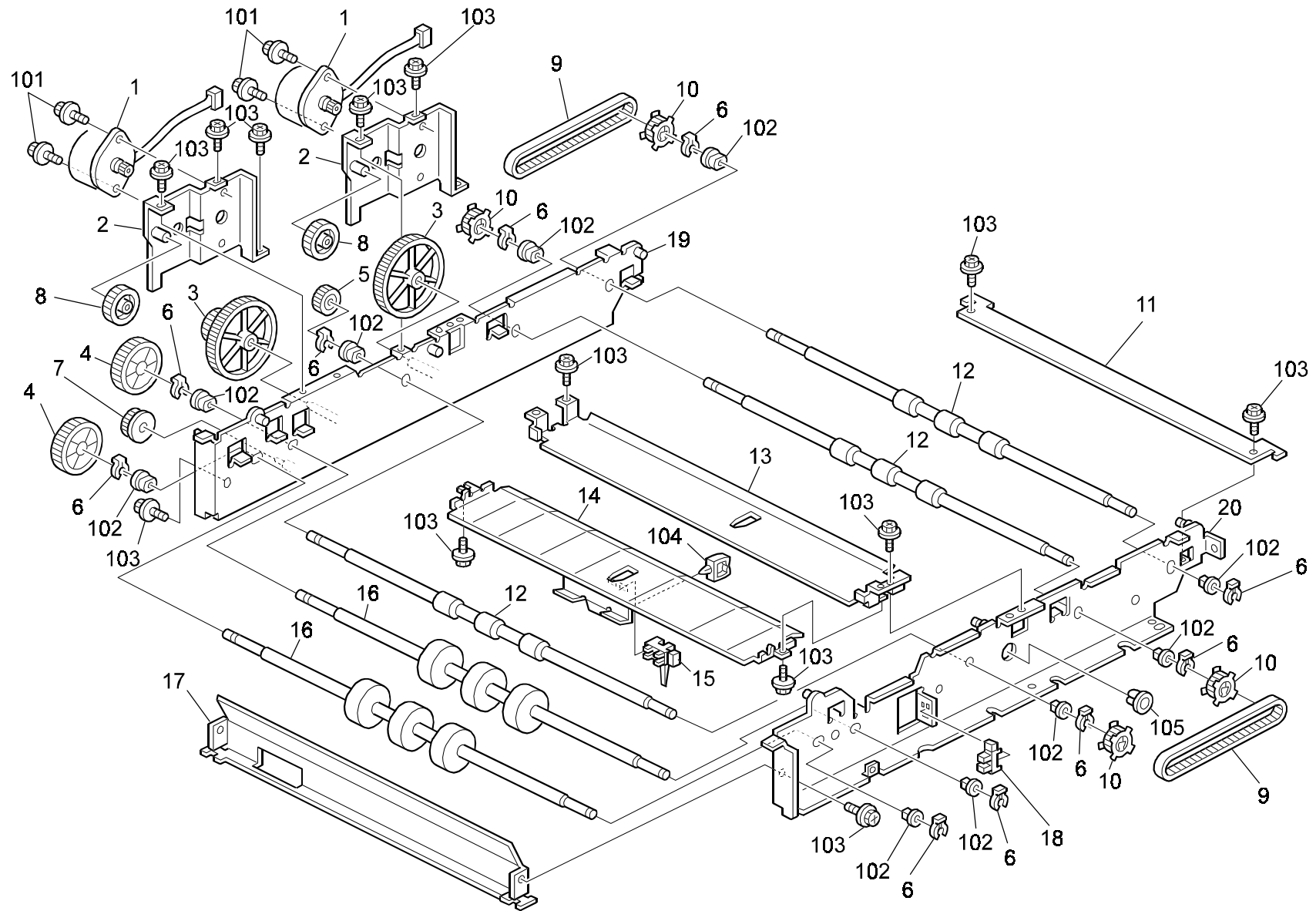


20.DUPLEX UNIT 2 (G048)

Index No.	Part No.	Description	Q'ty Per Assembly
1	G048 7130	Lower Reverse Guide Plate	1
2	G048 7132	Lower Reverse Sheet	4
3	G048 7128	Upper Reverse Sheet	1
4	G048 7047	Compression Spring	2
5	AA08 0034	Bushing - 4x5x7	2
6	G048 7126	Transport Idle Roller - Reverse	1
7	G048 7125	Upper Reverse Guide Plate	1
8	H521 3355	C Ring - Paper Feed Roller	2
9	G048 7122	Discharge Brush - Duplex	1
10	G048 7168	Left Cover	1
11	G024 3314	Transport Driven Roller	4
12	G024 3315	Busing	8
13	G024 3316	Tension Spring	8
14	G048 7113	Roller	2
15	G048 7114	Bracket	2
16	G048 7109	Upper Transport Guide Plate	1
17	G048 7120	Lower Transport Guide Plate	1
18	G048 7172	Right Cover	1
19	G048 7124	Decal - Duplex Misfeed Removal	1
20	G048 7106	Decal - Transport Guide Plate	2
21	G048 7129	Decal - Reverse Guide Plate	1

Index No.	Part No.	Description	Q'ty Per Assembly
101	0451 3006B	Tapping Screw - M3x6	
102	0353 0040B	Screw - M3X4	
103	1105 0199	Clamp	
104	0450 3008B	Tapping Screw - M3x8	

21.DUPLEX DRIVE (G048)

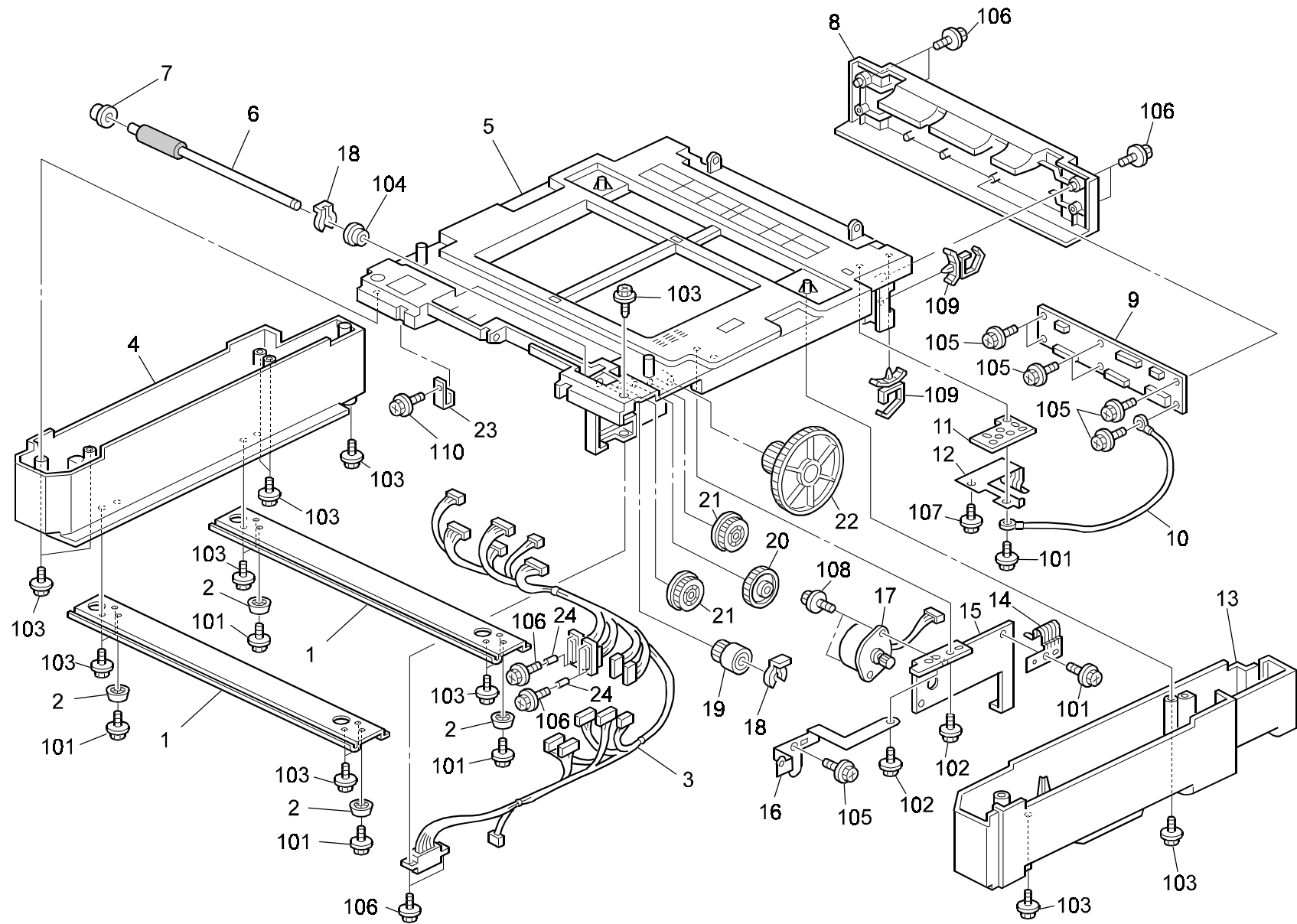


21.DUPLEX DRIVE (G048)

Index No.	Part No.	Description	Q'ty Per Assembly
1	H516 5052	Stepper Motor - Paper Feed 24VDC13W	2
2	G048 7087	Transport Motor Bracket	2
3	G048 7094	Gear - Reverse Slow Down	2
4	G048 7095	Gear - Reverse Roller	2
5	G800 3322	Idler Gear	1
6	H521 3355	C Ring - Paper Feed Roller	10
7	G048 7096	Gear - Transport Roller	1
8	G048 7092	Idle Gear	1
9	AA04 3373	Timing Belt - S2M308	2
10	AB03 0474	Pulley - 24T	2
11	G048 7071	Rear Stay	1
12	G048 7081	Transport Roller - Duplex	3
13	G048 7073	Middle Stay	1
14	G048 7074	Guide Plate	1
15	G012 5600	Sensor - H29.2	1
16	G048 7080	Reverse Roller	2
17	G048 7070	Front Stay	1
18	AW02 0119	Photointerruptor - IG-248L1	1
19	G048 7052	Left Side Plate - Reverse Unit	1
20	G048 7063	Right Side Plate - Reverse Unit	1

Index No.	Part No.	Description	Q'ty Per Assembly
101	0453 3006B	Tapping Screw - M3x6	
102	0805 3480	Bushing - 6mm	
103	0451 3006B	Tapping Screw - M3x6	
104	1105 0199	Clamp	
105	1106 0411	Bushing - 11.5mm	

22.DUPLEX FRAME (G048)

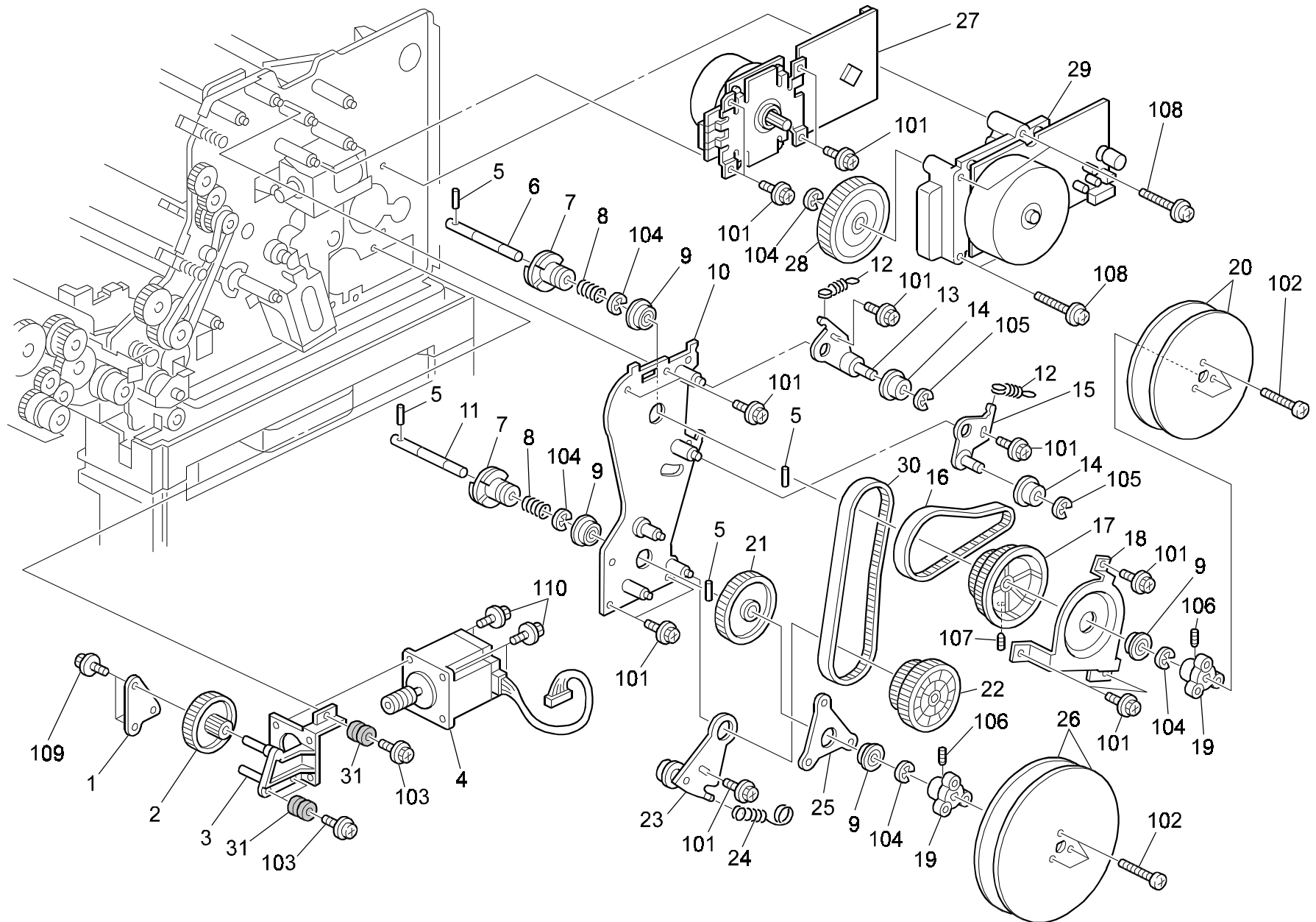


22.DUPLEX FRAME (G048)

Index No.	Part No.	Description	Q'ty Per Assembly
1	G024 1006	Guide Rail Stay	2
2	G024 1007	Rubber Foot - 23mm	4
3	G048 5121	Harness - Reverse Unit	1
4	G048 7270	Left Frame - Reverse	1
5	G048 7212	Upper Frame - Reverse	1
6	G048 7241	Roller - Relay	1
7	5443 2668	Bushing - 4x6x7mm	1
8	G048 7272	Rear Cover - Rreverse	1
9	G048 5330	Duplex Drive Board	1
10	G048 5143	Harness - Grounding Wire	1
11	G048 7251	Bracket - Duplex Drive Board	1
12	G048 7252	Ground Plate - Reverse Tray	1
13	G048 7271	Right Frame - Reverse	1
14	G048 7232	Grounding Plate	1
15	G048 7231	Bracket - Reverse Stepper Motor	1
16	G048 7234	Grounding Plate - Reverse	1
17	H516 5052	Stepper Motor - Paper Feed 24VDC13W	1
18	H521 3355	C Ring - Paper Feed Roller	2
19	G800 3323	Pul-out Gear	1
20	G048 7233	Pull-out Idle Gear - Reverse	1
21	G800 3322	Idler Gear	2
22	G800 3321	Gear	1
23	G048 7180	Reverse Tray Stopper	1
24	G800 3342	Connector Colar	4

Index No.	Part No.	Description	Q'ty Per Assembly
101	0451 3006B	Tapping Screw - M3x6	
102	0450 4008B	Tapping Screw - 4x8	
103	0450 4010B	Tapping Screw - 4x10	
104	0805 3480	Bushing - 6mm	
105	0450 3008B	Tapping Screw - M3x8	
106	0450 3010B	Tapping Screw - M3x10	
107	0450 3006B	Tapping Screw - M3x6	
108	0453 3006B	Tapping Screw - M3x6	
109	1105 0291	Harness Clamp - LWS-3S	
110	0353 0080B	Screw - M3X8	

23.DRIVE SECTION 1 (G047/G048)

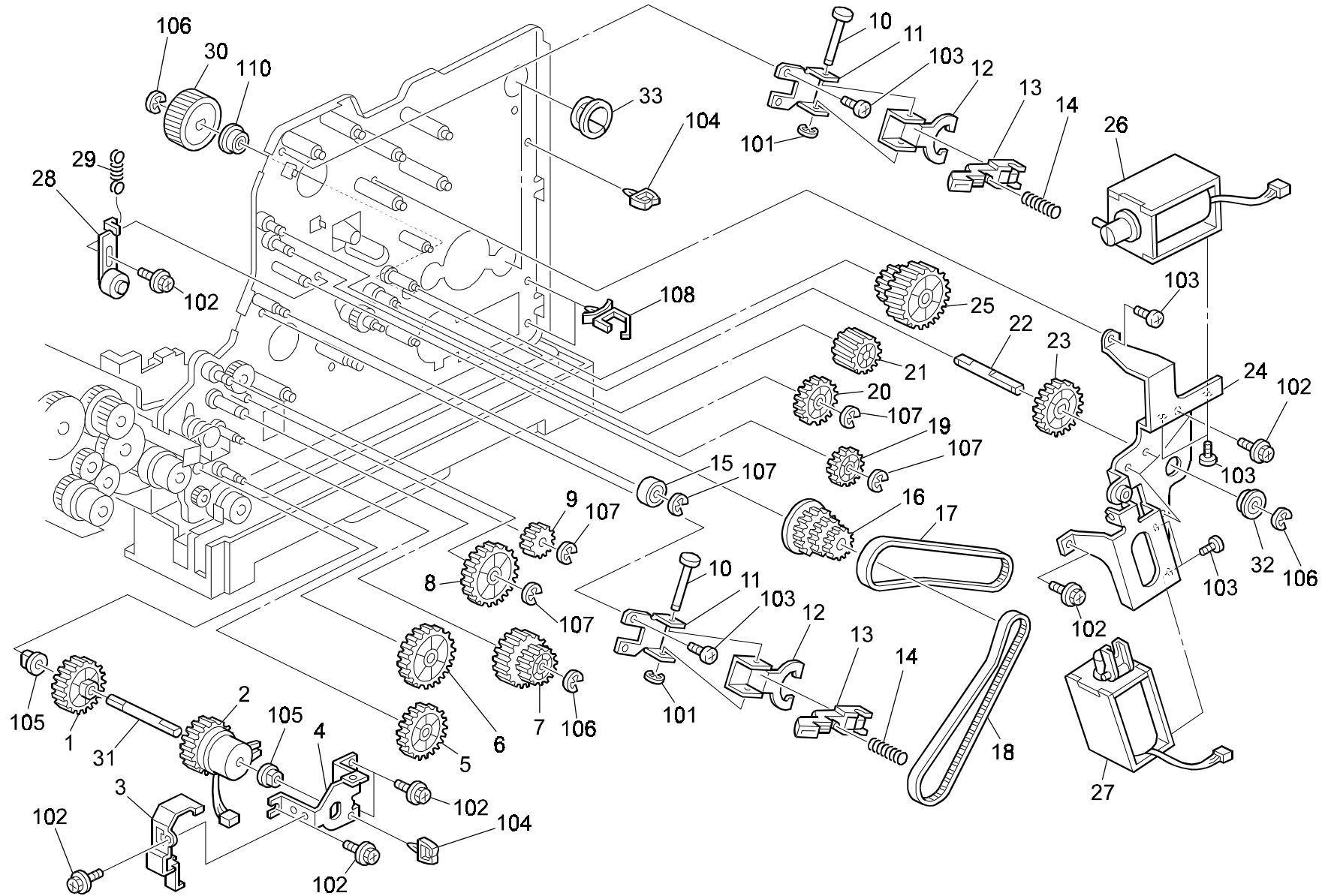


23.DRIVE SECTION 1 (G047/G048)

Index No.	Part No.	Description	Q'ty Per Assembly
1	G024 1887	Gear Holder	1
2	G024 1825	Worm Wheel	1
3	G024 1877	Motor Bracket	1
4	G024 1871	Revolver Motor - DC3.2V 2.7A	1
5	G024 1314	Pulley Pin	4
6	G024 1312	Drive Shaft	1
7	G024 1324	Cam Clutch	2
8	G024 1329	Compression Spring	2
9	G024 1899	Ball Bearing - 8mm	4
10	G024 1730	Drive Gear Bracket	1
11	G024 1313	Driven Shaft	1
12	G024 1322	Tension Spring	2
13	G024 1347	Belt Tightner	1
14	G024 1318	Tightner Roller	2
15	G024 1719	Belt Tightener	1
16	G024 1315	Timing Belt - S1.5M 180	1
17	G024 1714	Pulley - 84Z/120Z	1
18	G024 1735	Upper Gear Holder	1
19	G020 1184	Flange - Fly Wheel	2
20	G024 1750	Fly Wheel - 118mm	2
21	G024 1712	Gear - 84Z	1
22	G024 1713	Gear - 84Z/84Z	1
23	G024 1250	Belt Tightener	1
24	G024 1286	Tightener Spring	1
25	G024 1736	Lower Gear Holder	1
26	G020 1189	Fly Wheel	2
27	G024 5451	PCU Motor - DC24V 6.5W	1
28	G024 1202	Idle Gear - 91z	1
29	G047 5450	Main Motor - 40W	1
30	G024 1716	Timing Belt - S1.5M 378	1
31	G024 1897	Bushing - 5.5x8mm	2

Index No.	Part No.	Description	Q'ty Per Assembly
101	0451 3006B	Tapping Screw - M3x6	
102	0353 0100B	Screw - M3X10	
103	0951 4012B	Philips Screw With Flat Washer	
104	0720 0060B	Retaining Ring - M6	
105	0720 0040B	Retaining Ring - M4	
106	0574 0060E	Hexagon Headless Set Screw - M4x6	
107	0573 0060B	Hexagonal Set Screw - M3X6	
108	0951 4030B	Screw - M4X30	
109	0951 3006B	Philips Screw With Flat Washer - M3x6	
110	0314 0100B	Philips Pan Head Screw - M4x10	

24.DRIVE SECTION 2 (G047/G048)

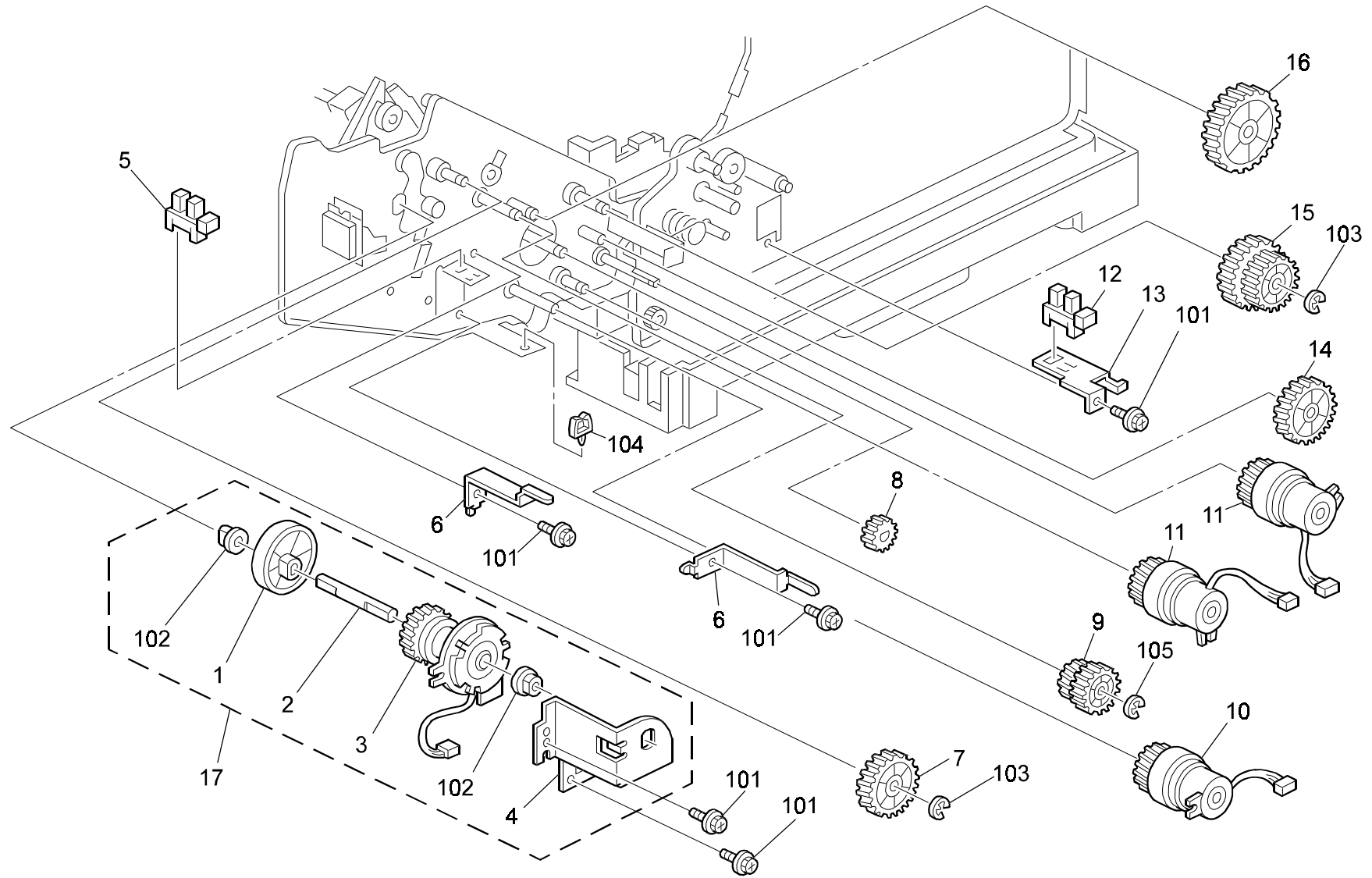


24.DRIVE SECTION 2 (G047/G048)

Index No.	Part No.	Description	Q'ty Per Assembly
1	G024 1892	Transport Roller Gear	1
2	G024 5462	Pull-out Clutch - 25Ncm	1
3	G024 3342	Clutch Cover	1
4	G024 1894	Magnetic Clutch Bracket	1
5	G024 1863	Idle Gear - 39z	1
6	G024 1862	Idle Gear - 50z	1
7	G024 1261	Gear - 30Z/39Z	1
8	G024 1264	Gear - 45Z	1
9	G024 1865	Idle Gear - 20z	1
10	G024 1342	Joint Release Shaft	2
11	G024 1341	Joint Release Bracket	2
12	G024 1339	Joint Release Arm	2
13	G024 1740	Joint Release Lever	2
14	G024 1743	Compression Spring	2
15	G024 1249	Tightener Roller	1
16	G024 1242	Timing Pulley - 39Z/35Z/21Z	1
17	G024 1841	Timing Belt - B60S3M276	1
18	G024 1845	Timing Belt - B60S3M354	1
19	G024 1243	Idle Gear - 34z	1
20	G024 1244	Idle Gear - 35z	1
21	G024 1226	Idle Gear - 29z	1
22	G024 1820	Drive Relay Shaft	1
23	G024 1824	Gear - 41Z	1
24	G024 1851	Solenoid Bracket	1
25	G024 1225	Gear - 43Z/21Z	1
26	G024 1881	Belt Cleaning Solenoid	1
27	G024 1235	Development Drive Solenoid - DC24V	1
28	G024 1246	Belt Tightener	1
29	G024 1259	Tightener Spring	1
30	G024 1819	Gear - 65Z	1
31	G024 1891	Transport Roller Shaft	1
32	G024 1899	Ball Bearing - 8mm	1
33	G024 1473	Bushing	1

Index No.	Part No.	Description	Q'ty Per Assembly
101	0720 0020B	Retaining Ring - M2	
102	0451 3006B	Tapping Screw - M3x6	
103	0353 0060B	Philips Pan Head Screw - M3x6	
104	1105 0230	Clamp	
105	0805 3480	Bushing - 6mm	
106	0720 0060B	Retaining Ring - M6	
107	0720 0040B	Retaining Ring - M4	
108	1105 0487	Harness Clamp	

25.DRIVE SECTION 3 (G047/G048)

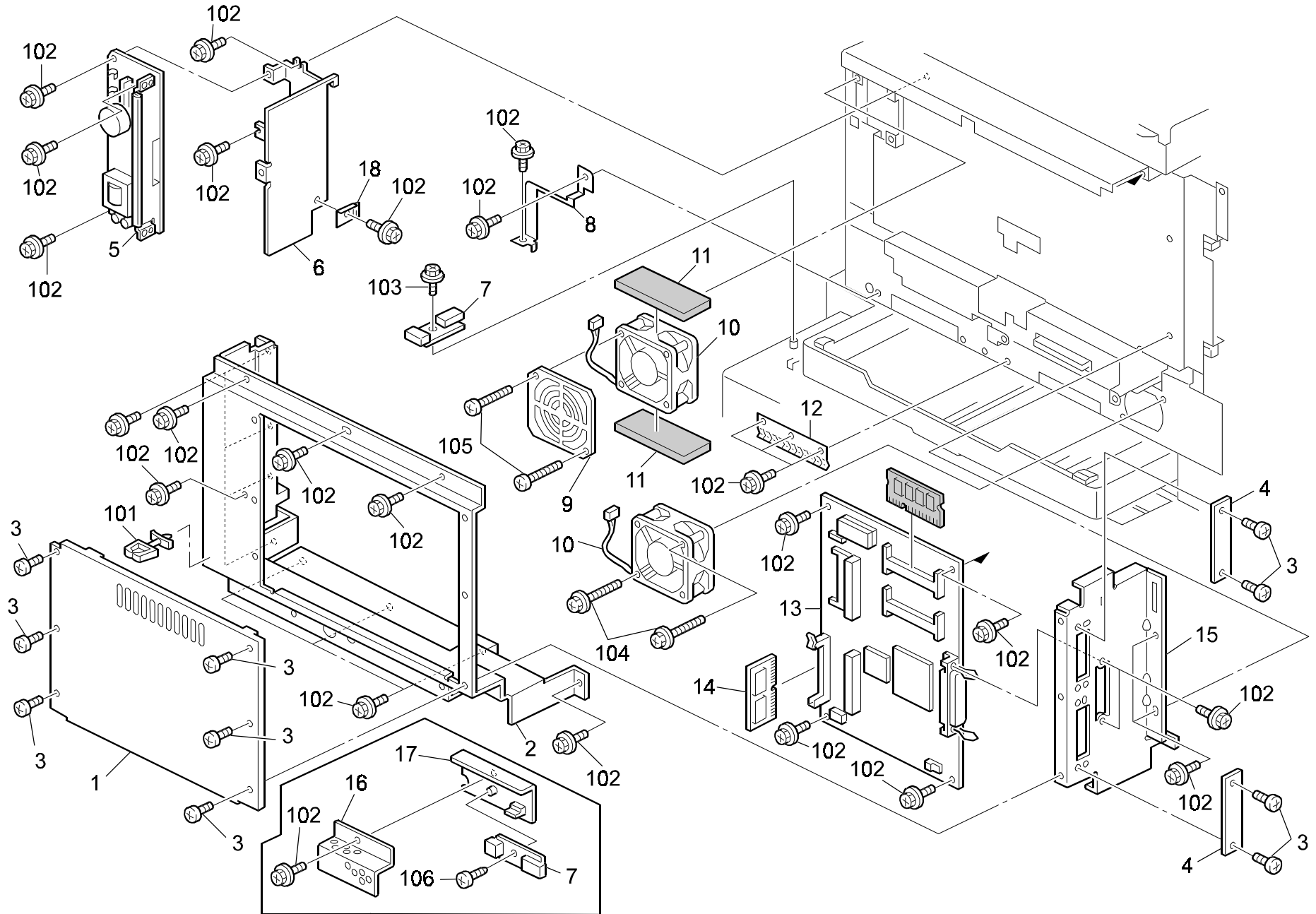


25.DRIVE SECTION 3 (G047/G048)

Index No.	Part No.	Description	Q'ty Per Assembly
1	G024 3671	Cam Roller	1
2	G024 3677	Clutch Shaft	1
3	G024 5459	Transfer Roller Clutch - 49Ncm	1
4	G024 3676	Clutch Bracket	1
5	AW02 0056	Photointerrupter - EE-SX4235A-P1	1
6	G024 3196	Magnetic Clutch Stopper	2
7	G024 1195	Idle Gear - 37z	1
8	AB01 1346	Gear - 27Z	1
9	G024 1194	Gear - 25Z/33Z	1
10	G024 5460	By-pass Feed Clutch - 25Ncm	1
11	G024 5456	Registration Solenoid - 25Ncm	2
12	AW02 0119	Photointerruptor - IG-248L1	1
13	G024 1095	Sensor Bracket	1
14	G024 1193	Idle Gear - 45z	1
15	G024 1191	Gear - 35Z/42Z	1
16	G024 1192	Idle Gear - 53z	1
17	G024 3675	Spring Clutch Ass'y	1

Index No.	Part No.	Description	Q'ty Per Assembly
101	0451 3006B	Tapping Screw - M3x6	
102	0805 3386	Bushing - 8mm	
103	1105 0230	Clamp	
104	1105 0199	Clamp	
105	0720 0040B	Retaining Ring - M4	

26.ELECTRICAL SECTION 1 (G047/G048)

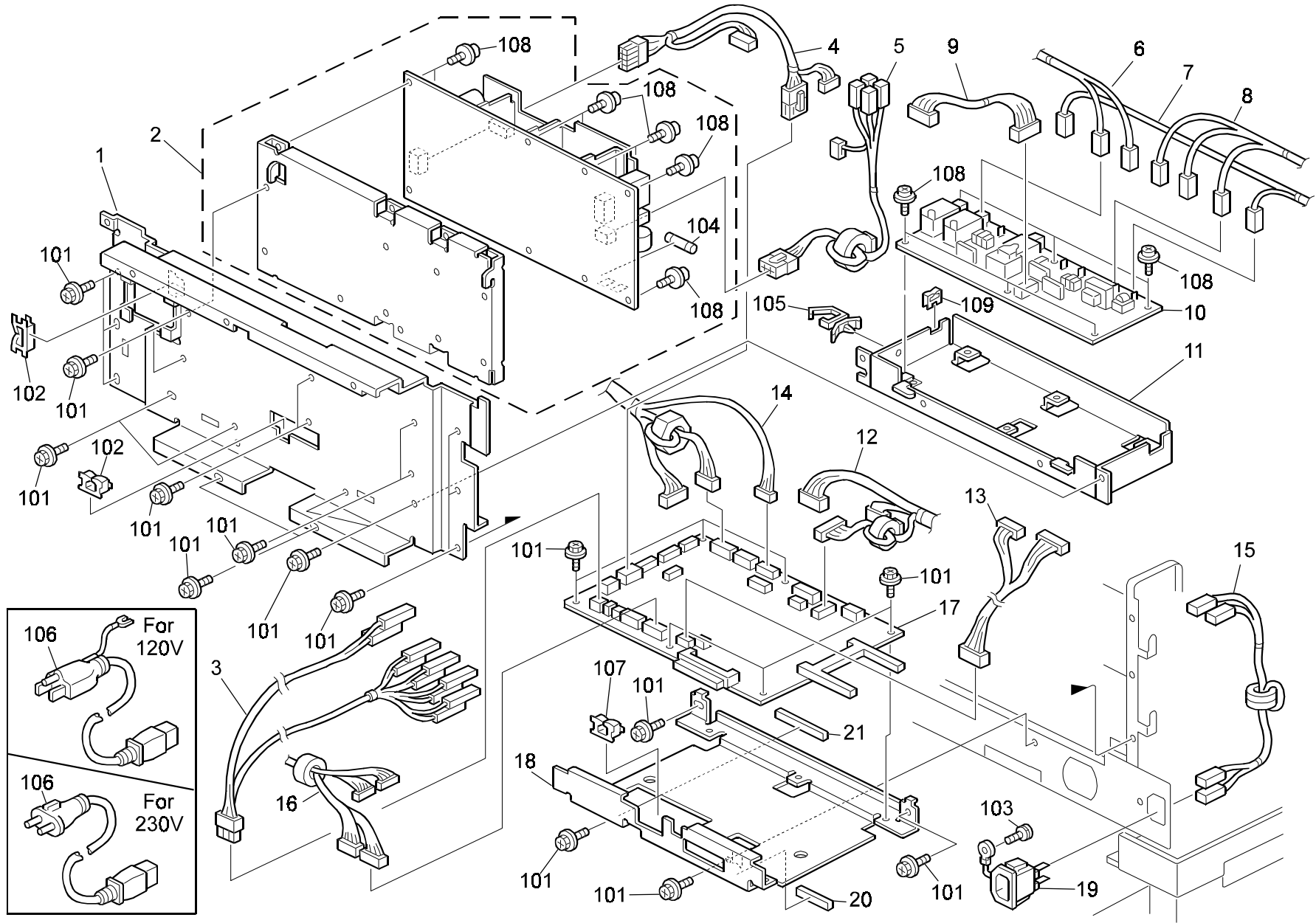


26.ELECTRICAL SECTION 1 (G047/G048)

Index No.	Part No.	Description	Q'ty Per Assembly
1	G047 1430	Rear Control Board Cover	1
2	G047 1429	Control Board Cover	1
3	G020 1391	Screw - M3x4.5	10
4	G047 1485	Option Cover	2
5	GZ22 0004	DC Power Supply Board - Duplex (120V)	1
5	GZ22 0005	DC Power Supply Board - Duplex (230V)	1
6	G048 1411	DC Power Supply Holder - Duplex (120V)	1
6	G048 1413	DC Power Supply Holder - Duplex (230V)	1
7	G024 5421	Temp/Humidity Sensor	1
8	G048 7275	Grounding Plate	1
9	G024 1423	Fan Motor Cover	1
10	AX64 0099	Fan Motor - DC24V 1.92W	2
11	G024 1574	Dust Seal	2
12	G024 1447	Grounding Plate - Rear Lower Stay	1
13	G047 5768	Printer Control Board	1
14	G503 5730	RPS2 DIMM	1
15	G047 1427	Control Board Bracket	1
16	G024 1563	Shielding Plate	1
17	G024 1446	Sensor Holder	1
18	G024 1439	Grounding Plate	1

Index No.	Part No.	Description	Q'ty Per Assembly
101	1105 0230	Clamp	
102	0451 3006B	Tapping Screw - M3x6	
103	0452 3006B	Tapping Screw - M3x6	
104	0451 4030B	Philips Tapping Screw - M4x30	
105	0314 0300B	Philips Pan Head Screw - M4x30	
106	0353 0060Z	Screw - M3X6	

27.ELECTRICAL SECTION 2 (G047/G048)

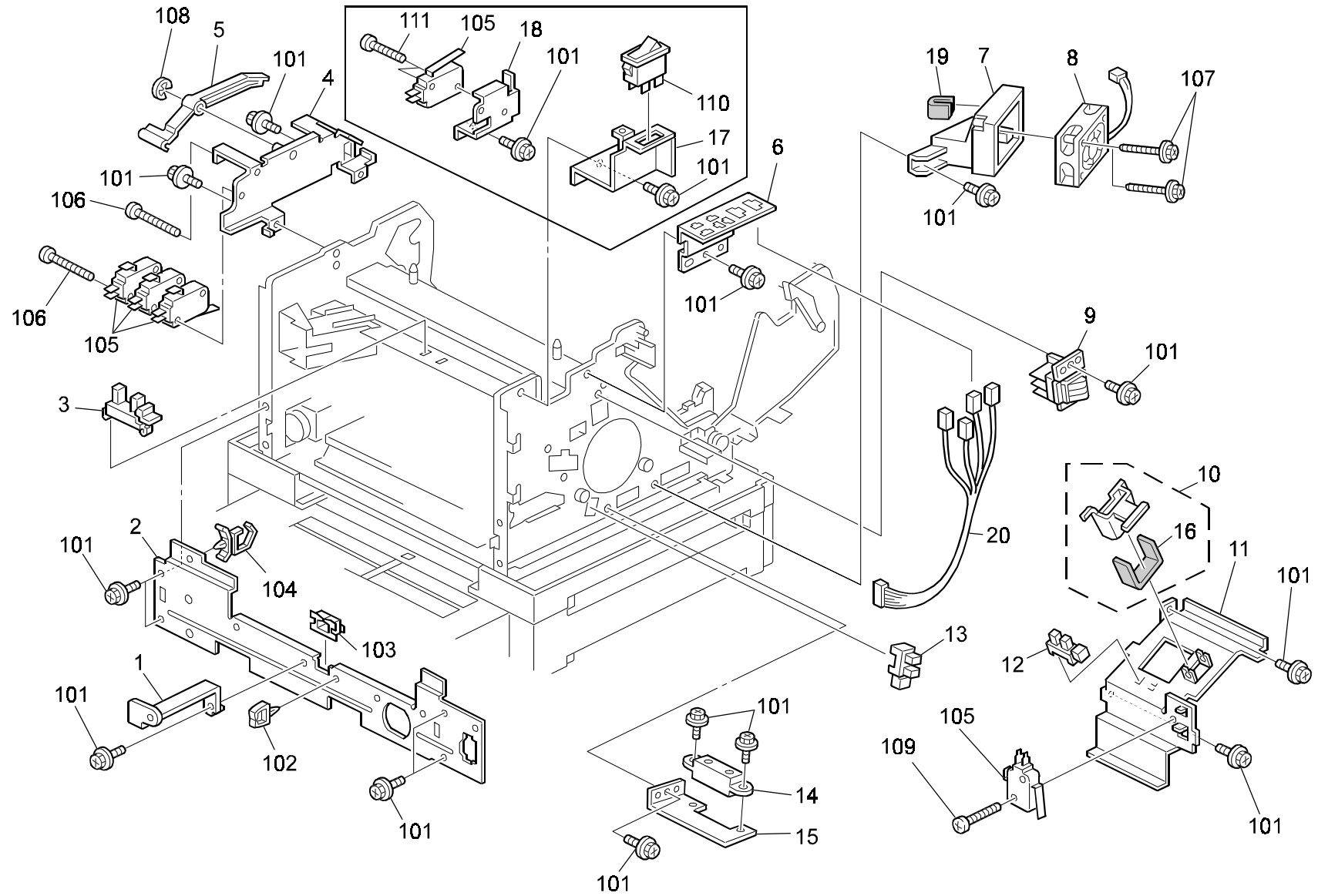


27.ELECTRICAL SECTION 2 (G047/G048)

Index No.	Part No.	Description	Q'ty Per Assembly
1	G047 1428	Rear Upper Stay	1
2	G047 5055	Power Supply Unit - NA	1
2	G047 5056	Power Supply Unit - EU/ASIA	1
3	G047 5113	Harness - Door Switch	1
4	G024 5111	DC Power Supply Harness	1
5	G024 5109	Main Switch Harness (230V)	1
5	G024 5112	Main Switch Harness (120V)	1
5	G048 5112	Harness - Main Switch - Duplex (120V)	1
5	G048 5109	Harness - Main Switch - Duplex (230V)	1
6	G047 5124	High Voltage Harness - Charge	1
7	G047 5123	High Voltage Harness - Transfer	1
8	G024 5122	Dtm Power Harness	1
9	G024 5117	High Voltage Harness	1
10	G024 5060	High Voltage Supply Board	1
11	G024 1415	Power Supply Holder	1
12	G047 5132	Harness - Main Input	1
13	G024 5107	Mirror Motor Harness	1
14	G048 5146	Harness - Duplex	1
15	G024 5125	AC Power Supply Harness	1
16	G047 5131	Harness - Main Output	1
17	G047 5303	MCU Board	1
18	G047 1436	MCU Holder	1
19	G024 5141	Inlet	1
20	G024 1449	Gasket 47	1
21	G024 1452	Gasket 95	1

Index No.	Part No.	Description	Q'ty Per Assembly
101	0451 3006B	Tapping Screw - M3x6	
102	1105 0349	Edge Saddle	
103	0801 0149	Philips Pan Head Screw - M4x6	
104	1107 0629	Fuse (ceramic Case) - 15a - 125v	
105	1105 0291	Harness Clamp - LWS-3S	
106	1150 0355	AC Power Cable (120V)	
106	2801 0036	AC Power Cable (230V)	
107	1105 0243	Wire Saddle	
108	0954 3008B	Philips Screw - M3x8	
109	1105 0329	Harness Clamp - ES-0510	

28.ELECTRICAL SECTION 3 (G047/G048)

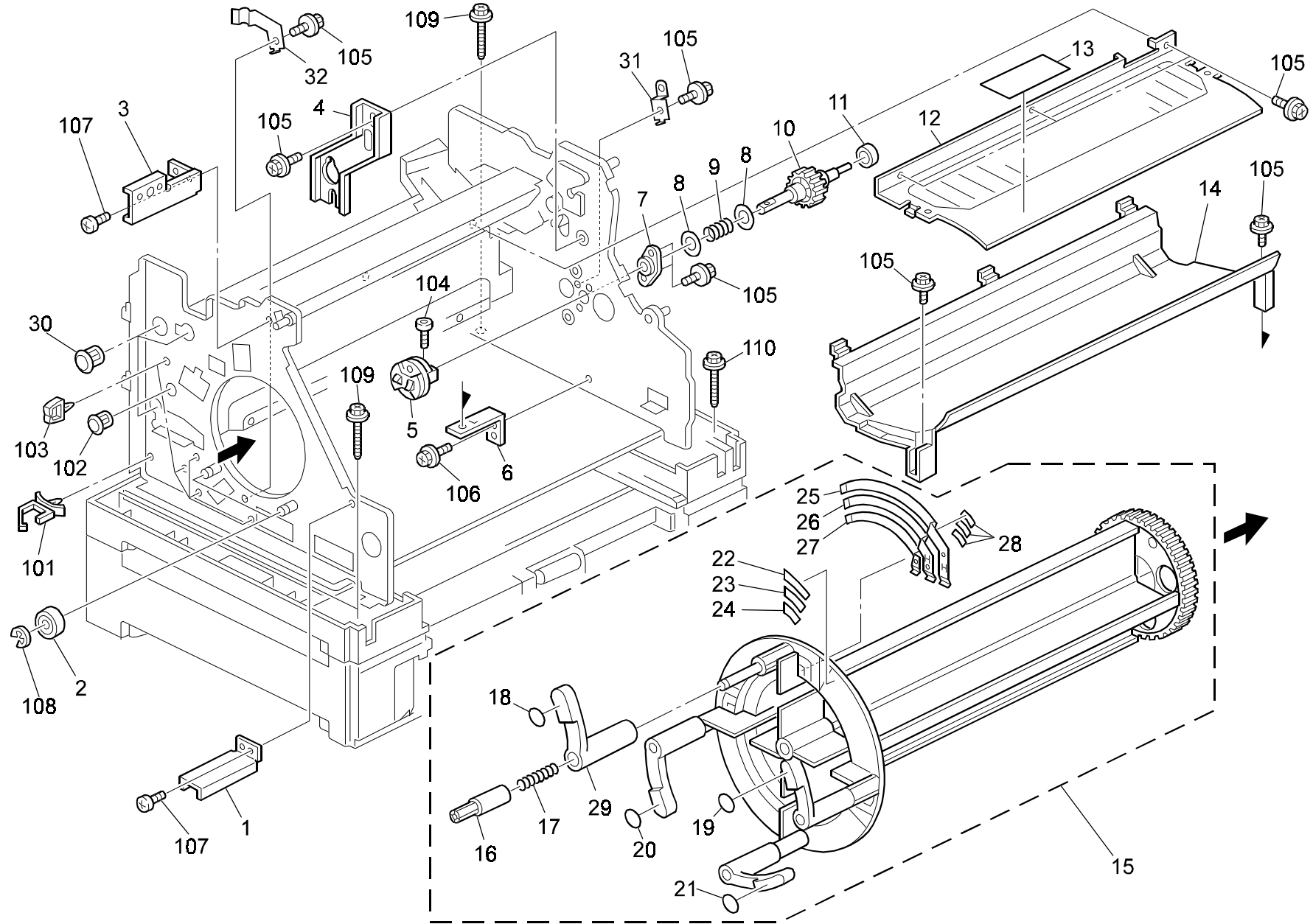


28.ELECTRICAL SECTION 3 (G047/G048)

Index No.	Part No.	Description	Q'ty Per Assembly
1	G047 1407	Lower Control Board Bracket	1
2	G047 1414	Rear LowerStay	1
3	G024 1446	Sensor Holder	1
3	G024 4740	Oil End Sensor	1
4	G024 1431	Switch Bracket	1
4	G047 1431	Support Bracket - Safety Switch	1
5	G024 1434	Safety Switch Lever	1
6	G047 4728	Connector Bracket	1
7	G024 1421	Fan Motor Duct	1
8	AX64 0099	Fan Motor - DC24V 1.92W	1
9	G024 1770	Bias Terminal Assy	1
10	G024 6971	Sensor Actuator	1
11	G024 1560	Inner Cover - Toner Hopper	1
12	AW02 0119	Photointerruptor - IG-248L1	1
13	AW02 0056	Photointerruptor - EE-SX4235A-P1	1
14	A257 3358	Toner End Sensor	1
15	G024 6982	Toner End Sensor Bracket	1
16	G024 6972	Cushion-actuator-toner Magazine	1
17	G024 1426	Main Switch Bracket	1
18	G024 4727	Switch Bracket	1
19	G047 1410	Fan Cushion	1
20	G047 5114	Harness - Fusing Lamp (G047)	1
20	G048 5114	Harness - Fusing Lamp (G048)	1

Index No.	Part No.	Description	Q'ty Per Assembly
101	0451 3006B	Tapping Screw - M3x6	
102	1105 0199	Clamp	
103	1105 0243	Wire Saddle	
104	1105 0413	Harness Clamp	
105	1204 2355	Micro Switch - AM51632A531	
106	0353 0350B	Philips Pan Head Screw - M3x35	
107	0450 4030B	Tapping Screw - M4x30	
108	0720 0040B	Retaining Ring - M4	
109	0313 0140B	Philips Pan Head Screw - M3x14	
110	1204 2468	Switch - AC250/16A	
111	0353 0140B	Bind Screw - M3x14	

29.FRAME SECTION 1 (G047/G048)

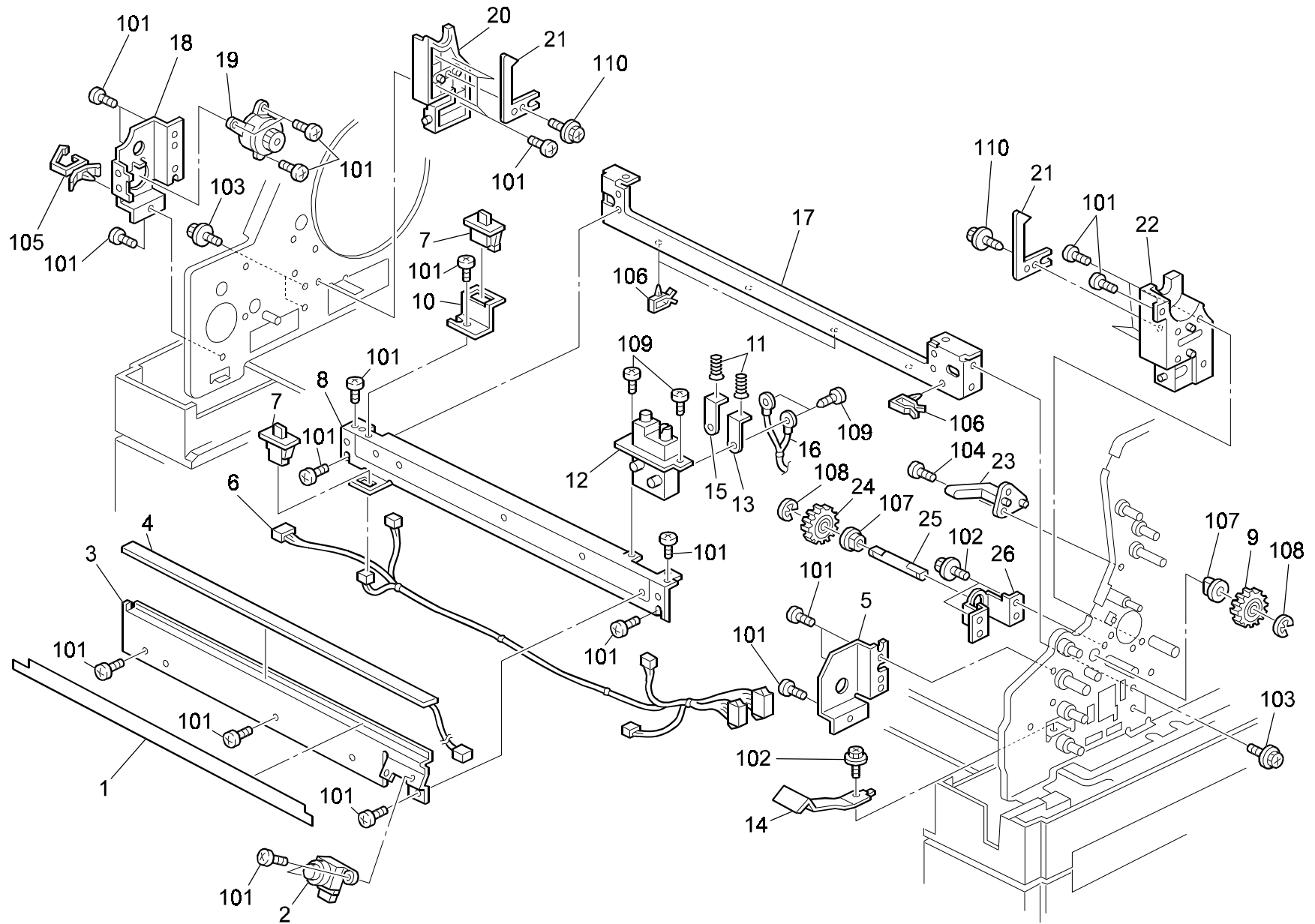


29.FRAME SECTION 1 (G047/G048)

Index No.	Part No.	Description	Q'ty Per Assembly
1	G024 1696	Cover Bracket - Front Left	1
2	A232 3552	Ball Bearing - 8x22x7	2
3	G024 1695	Cover Bracket - Left Upper	1
4	G024 6974	Right Bearing Holder	1
5	G024 1251	Drive Joint	1
6	G024 1693	Development Cover Bracket	1
7	G024 1239	Bushing - 6x16mm	1
8	G024 1234	Spacer - 12.2x18x0.25	2
9	G024 1232	Compression Spring	1
10	G024 1229	Joint Gear - 27z	1
11	G024 1233	Development Joint Collar	1
12	G024 1675	Development Upper Cover	1
13	G024 1676	Decal - Cleaner	1
14	G024 1774	Dtm Lower Cover	1
15	G024 6844	Revolver Unit	1
16	G024 6960	Release Lever Holder	4
17	G024 6962	Spring	4
18	G024 6991	Display Decal - Cyan	1
19	G024 6993	Display Decal - Yellow	1
20	G024 6992	Display Decal - Magenta	1
21	G024 6994	Display Decal - Black	1
22	G024 6905	Insulating Sheet	1
23	G024 6906	Insulating Sheet	1
24	G024 6907	Insulating Sheet	1
25	G024 6900	Bias Terminal	1
26	G024 6908	Terminal-dev Bias-sub Ass'y	1
27	G024 6901	Bias Terminal	1
28	G024 6904	Insulating Sheet	3
29	G024 6958	Dtm Release Lever	4
30	G024 1473	Bushing	1
31	G024 1441	Grounding Plate - DTM Support	1
32	G024 1697	LD Harness Plate	1

Index No.	Part No.	Description	Q'ty Per Assembly
101	1105 0489	Harness Clamp - LWS 1316	
102	1106 0430	Bushing - 13mm	
103	1105 0230	Clamp	
104	0593 0060W	Hexagonal Set Screw - M3x6	
105	0451 3006B	Tapping Screw - M3x6	
106	0450 3008B	Tapping Screw - M3x8	
107	0353 0060B	Philips Pan Head Screw - M3x6	
108	0720 0060B	Retaining Ring - M6	
109	0450 4012B	Tapping Screw - M4x12	
110	0450 3010B	Tapping Screw - M3x10	

30.FRAME SECTION 2 (G047/G048)

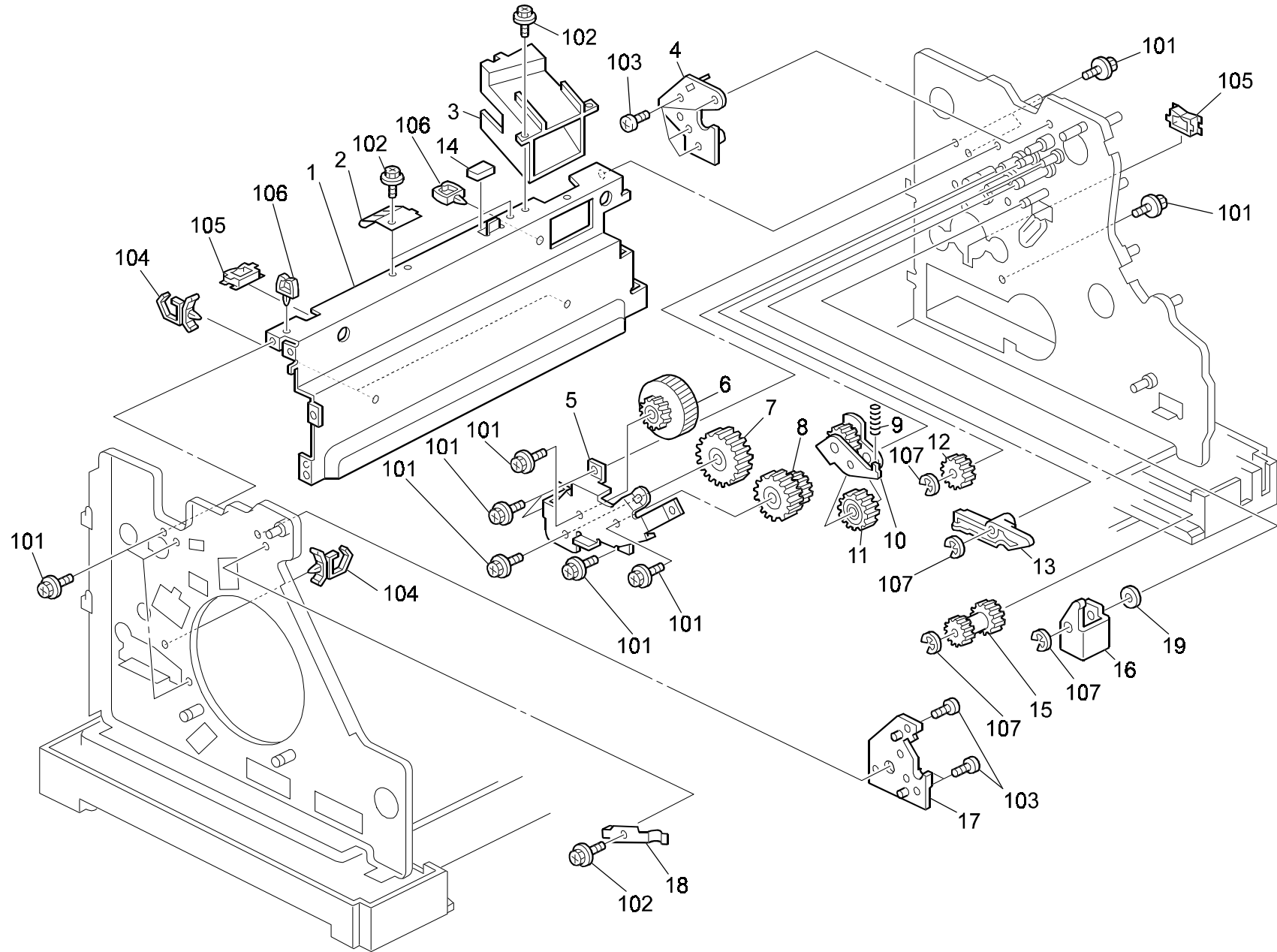


30.FRAME SECTION 2 (G047/G048)

Index No.	Part No.	Description	Q'ty Per Assembly
1	G024 3723	Quenching Lamp Seal	1
2	AW23 0009	Toner End Sensor	1
3	G024 3722	Quenching Lamp Bracket	1
4	G024 3721	Quenching Lamp	1
5	G024 1065	Right Bracket - Contact Point	1
6	G047 5118	Harness - Used Toner Sensor	1
7	G020 5626	Push Switch	2
8	G047 1175	Stay-front Lower-support	1
9	G024 1267	Gear - 27Z	1
10	G024 1177	Switch Bracket	1
11	G024 1155	Terminal Spring	2
12	G024 1152	Terminal Plate	1
13	G024 1153	Terminal Plate	1
14	G024 1691	Spring Plate	1
15	G024 1154	Terminal Grid	1
16	G047 5124	High Voltage Harness - Charge	1
17	G024 1072	Front Lower Stay	1
18	G024 1061	Left Bracket - Contact Point	1
19	G024 1645	Oil Dumper	1
20	G024 1652	Position Plate - Lower Left	1
21	G024 1057	Lock Lever	2
22	G024 1656	Position Plate - Lower Right	1
23	G024 4315	Release Lever - PCU Shutter	1
24	G024 1869	Gear - 18Z	1
25	G024 1868	Lower Drive Shaft	1
26	G024 1141	Drive Shaft Bracket	1

Index No.	Part No.	Description	Q'ty Per Assembly
101	0353 0060B	Philips Pan Head Screw - M3x6	
102	0451 3006B	Tapping Screw - M3x6	
103	0451 4006B	Tapping Screw - 4x6	
104	0353 0040B	Screw - M3X4	
105	1105 0291	Harness Clamp - LWS-3S	
106	1105 0511	Harness Clamp - LWS-0306ZC	
107	0805 3480	Bushing - 6mm	
108	0720 0040B	Retaining Ring - M4	
109	0452 3006B	Tapping Screw - M3x6	
110	0450 3008B	Tapping Screw - M3x8	

31.FRAME SECTION 3 (G047/G048)

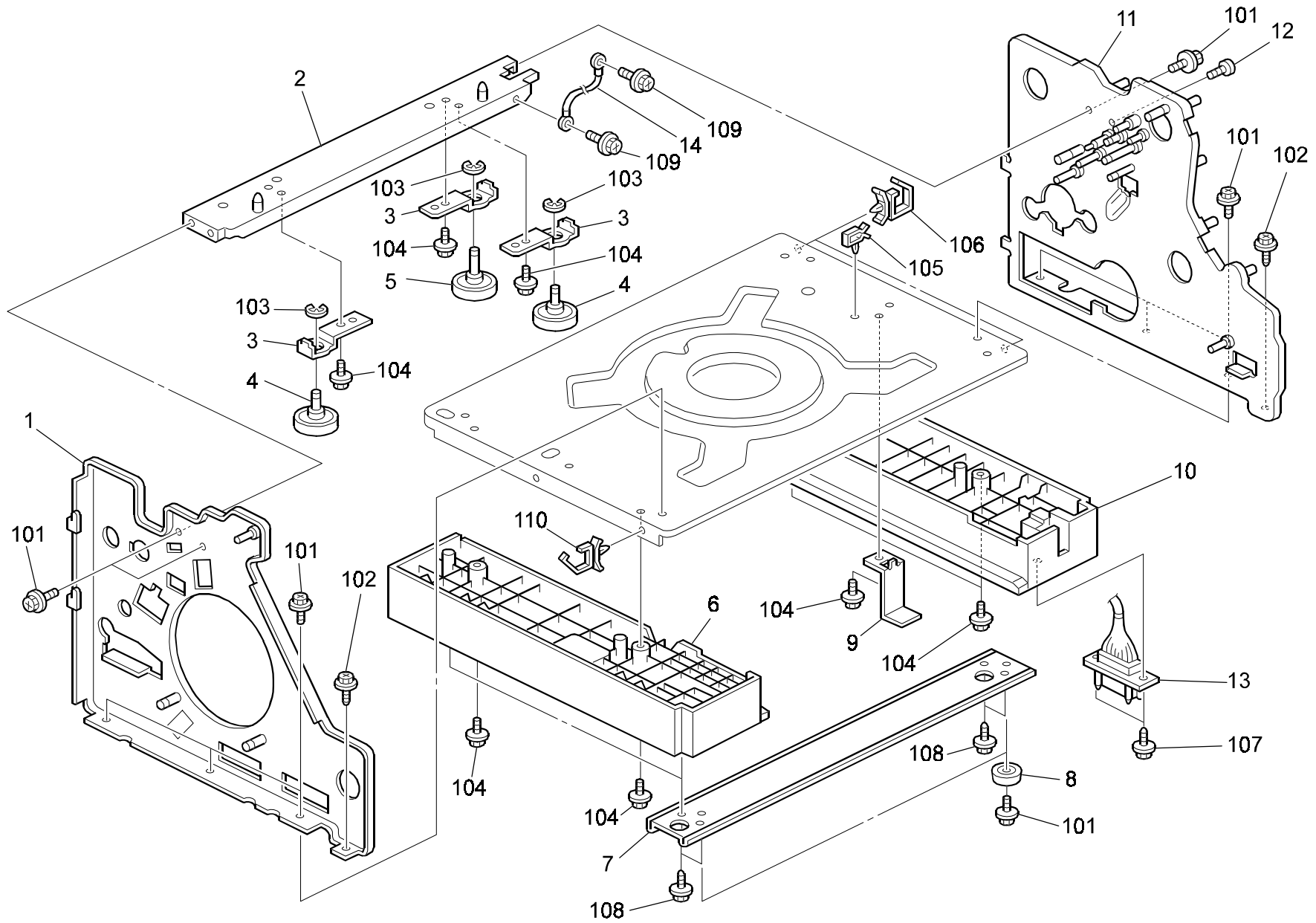


31.FRAME SECTION 3 (G047/G048)

Index No.	Part No.	Description	Q'ty Per Assembly
1	G024 1671	Rear Stay	1
2	G024 1422	Grounding Plate	2
3	G024 1437	Cooling Fan Duct	1
4	G024 1655	Position Plate - Upper Right Front	1
5	G024 1814	Gear Bracket	1
6	G024 1803	Gear - 93Z/29Z	1
7	G024 1804	Gear - 49Z	1
8	G024 1806	Gear - 42Z/21Z	1
9	G024 1188	Compression Spring	1
10	G047 1808	Bracket - Fusing Drive	1
11	G047 1287	Gear - Z25	1
12	G024 1813	Gear - 17Z	1
13	G024 1886	Fusing Drive Arm	1
14	G048 1672	Stay Sheet	1
15	G024 1815	Gear - 22Z/17Z	1
16	G047 1884	Cleaning Blade Lever	1
17	G024 1651	Position Plate - Upper Left Front	1
18	G024 1059	Grounding Plate	1
19	AA13 2024	Spacer - M6	1

Index No.	Part No.	Description	Q'ty Per Assembly
101	0451 4006B	Tapping Screw - 4x6	
102	0451 3006B	Tapping Screw - M3x6	
103	0353 0060B	Philips Pan Head Screw - M3x6	
104	1105 0489	Harness Clamp - LWS 1316	
105	1105 0322	Cord Bushing	
106	1105 0230	Clamp	
107	0720 0040B	Retaining Ring - M4	

32.FRAME SECTION 4 (G047/G048)



32.FRAME SECTION 4 (G047/G048)

Index No.	Part No.	Description	Q'ty Per Assembly
1	G024 4868	Grounding Wire	1
2	G024 4720	Fusing Unit Stay	1
3	G024 4712	Fusing Unit Bracket	3
4	G024 4832	Fusing Unit Stopper - Front	2
5	G024 4834	Fusing Unit Stopper - Rear	1
6	G024 1005	Right Guide Rail - Paper Tray	1
7	G024 1006	Guide Rail Stay	1
8	G024 1007	Rubber Foot - 23mm	2
9	G024 1003	Ground Plate	1
10	G024 1004	Left Guide Rail - Paper Tray	1
11	G024 1582	Cover - Inlet	1
12	AA14 3396	Screw - M4X4	1
13	G047 5120	Harness - Paper Feed Unit	1

Index No.	Part No.	Description	Q'ty Per Assembly
101	0451 4006B	Tapping Screw - 4x6	
102	0452 4008B	Binding Self Tapping Screw - M4x8	
103	0720 0060B	Retaining Ring - M6	
104	0451 3006B	Tapping Screw - M3x6	
105	1105 0516	Clamp	
106	1105 0269	Wire Saddle	
107	0450 3008B	Tapping Screw - M3x8	
108	0450 4008B	Tapping Screw - 4x8	
109	0801 0149	Philips Pan Head Screw - M4x6	
110	1105 0487	Harness Clamp	

33.MAIN CONTROL BOARD (G047/G048)

CAPACITOR

SYMBOL NO.	INDEX NO.	SYMBOL NO.	INDEX NO.	SYMBOL NO.	INDEX NO.	SYMBOL NO.	INDEX NO.	SYMBOL NO.	INDEX NO.	SYMBOL NO.	INDEX NO.	SYMBOL NO.	INDEX NO.
C101	256	C111	244	C121	236	C131	254	C141	240	C151	254	C161	254
C102	255	C112	244	---	---	C132	254	C142	244	C152	254	C162	244
C103	238	C113	244	C123	244	C133	254	C143	180	C153	244	C163	240
C104	238	C114	244	C124	244	C134	252	C144	254	C154	244	C164	254
C105	254	C115	244	C125	244	C135	254	C145	250	C155	245	C165	242
C106	244	C116	254	---	---	---	---	C146	254	C156	254	C166	246
C107	239	C117	238	C127	244	C137	244	C147	250	C157	251	C167	246
C108	237	C118	244	C128	186	C138	254	C148	250	C158	251	C168	255
C109	254	C119	244	C129	256	C139	244	C149	250	C159	238	C169	244
C110	236	C120	244	C130	185	C140	242	C150	244	C160	251	C170	256

CAPACITOR

SYMBOL NO.	INDEX NO.	SYMBOL NO.	INDEX NO.	SYMBOL NO.	INDEX NO.	SYMBOL NO.	INDEX NO.	SYMBOL NO.	INDEX NO.	SYMBOL NO.	INDEX NO.	SYMBOL NO.	INDEX NO.
C171	186	C181	186	C191	186	C201	244	---	---	C221	182	---	---
C172	244	C182	246	C192	186	C202	244	---	---	C222	244	---	---
C173	246	C183	244	C193	186	---	---	C213	254	C223	253	---	---
C174	246	C184	246	C194	186	---	---	C214	243	C224	256	C234	181
C175	244	C185	240	C195	186	C205	244	C215	244	---	---	C235	253
C176	256	C186	256	C196	186	C206	256	C216	253	---	---	C236	244
C177	236	C187	254	C197	186	C207	253	C217	244	---	---	C237	240
C178	246	C188	254	C198	240	---	---	C218	253	---	---	C238	252
C179	238	C189	240	C199	240	C209	241	C219	256	C229	254	C239	240
C180	246	C190	186	C200	254	---	---	---	---	---	---	C240	254

33.MAIN CONTROL BOARD (G047/G048)

CAPACITOR

SYMBOL NO.	INDEX NO.	SYMBOL NO.	INDEX NO.	SYMBOL NO.	INDEX NO.	SYMBOL NO.	INDEX NO.	SYMBOL NO.	INDEX NO.	SYMBOL NO.	INDEX NO.	SYMBOL NO.	INDEX NO.
----	---	C251	186	C261	254	C271	244	C281	256	C291	244	C301	244
C242	179	C252	247	C262	244	C272	250	C282	253	C292	244	C302	244
C243	244	C253	255	C263	244	C273	250	C283	254	----	---	C303	253
C244	244	C254	256	C264	255	C274	247	C284	186	C294	244	C304	255
C245	244	C255	244	C265	244	C275	244	C285	244	C295	244	C305	244
C246	255	C256	244	----	---	C276	244	C286	255	C296	244	C306	255
C247	256	C257	254	C267	186	C277	250	C287	254	C297	255	C307	244
C248	186	C258	255	C268	247	C278	254	C288	244	C298	244	C308	244
C249	256	C259	244	C269	256	C279	253	C289	255	C299	247	C309	244
C250	247	C260	255	C270	244	C280	244	C290	247	C300	244	C310	254

CAPACITOR

SYMBOL NO.	INDEX NO.	SYMBOL NO.	INDEX NO.	SYMBOL NO.	INDEX NO.	SYMBOL NO.	INDEX NO.	SYMBOL NO.	INDEX NO.	SYMBOL NO.	INDEX NO.	SYMBOL NO.	INDEX NO.
C311	253	----	---	C331	246	C341	244	C351	250	C361	251	C371	186
C312	253	C322	254	C332	246	C342	246	C352	256	C362	184	C372	251
C313	254	C323	244	C333	246	C343	246	C353	246	C363	244	C373	244
C314	255	C324	244	C334	246	C344	246	C354	256	C364	256	C374	186
C315	255	C325	246	C335	254	C345	246	C355	244	C365	186	C375	256
C316	255	C326	246	C336	246	C346	254	C356	246	C366	251	----	---
C317	244	C327	246	C337	246	C347	256	C357	250	C367	244	C377	254
C318	244	C328	246	C338	246	C348	250	C358	244	C368	244	C378	256
C319	244	C329	254	C339	246	C349	244	C359	244	C369	184	C379	244
C320	254	C330	253	C340	255	C350	246	C360	254	C370	186	C380	251

33.MAIN CONTROL BOARD (G047/G048)

CAPACITOR

SYMBOL NO.	INDEX NO.	SYMBOL NO.	INDEX NO.	SYMBOL NO.	INDEX NO.	SYMBOL NO.	INDEX NO.	SYMBOL NO.	INDEX NO.	SYMBOL NO.	INDEX NO.	SYMBOL NO.	INDEX NO.
C381	186	C391	186	C401	244	C411	246	C421	246	C431	244	C441	254
C382	186	C392	186	C402	244	C412	244	C422	254	C432	254	C442	244
C383	244	C393	186	C403	244	C413	246	C423	254	----	---	C443	254
C384	256	C394	254	C404	244	C414	247	C424	244	----	---	C444	244
C385	252	C395	254	C405	247	C415	256	----	---	C435	247	C445	254
C386	244	C396	244	C406	246	C416	246	C426	256	C436	244	C446	244
C387	186	C397	255	C407	244	C417	254	----	---	C437	186	C447	254
C388	254	C398	251	C408	254	C418	244	----	---	C438	244	C448	254
C389	186	C399	244	C409	246	C419	246	----	---	C439	252	C449	254
C390	251	C400	254	C410	244	C420	246	----	---	C440	244	C450	244

CAPACITOR

SYMBOL NO.	INDEX NO.	SYMBOL NO.	INDEX NO.	SYMBOL NO.	INDEX NO.	SYMBOL NO.	INDEX NO.	SYMBOL NO.	INDEX NO.	SYMBOL NO.	INDEX NO.	SYMBOL NO.	INDEX NO.
C451	254	C461	244	C471	244	C481	244	C491	252	C501	244	C511	244
C452	244	----	---	C472	244	C482	254	C492	244	C502	256	C512	252
C453	254	C463	244	----	---	C483	252	C493	244	C503	253	C513	244
C454	244	C464	186	C474	244	C484	244	C494	244	C504	256	C514	244
----	---	C465	253	C475	244	C485	256	C495	244	C505	244	C515	244
C456	244	C466	256	C476	256	C486	252	C496	244	C506	253	C516	254
C457	244	C467	244	C477	254	C487	253	C497	252	C507	256	C517	244
C458	244	----	---	C478	253	C488	244	----	---	----	---	C518	244
C459	244	C469	244	C479	244	C489	244	C499	256	C509	253	C519	256
C460	256	C470	244	C480	244	C490	244	C500	244	C510	253	C520	244

33.MAIN CONTROL BOARD (G047/G048)

CAPACITOR

SYMBOL NO.	INDEX NO.	SYMBOL NO.	INDEX NO.	SYMBOL NO.	INDEX NO.	SYMBOL NO.	INDEX NO.	SYMBOL NO.	INDEX NO.	SYMBOL NO.	INDEX NO.	SYMBOL NO.	INDEX NO.
C521	256	C531	254	C541	256	C551	248	C561	252	C571	256	C581	244
C522	244	C532	246	C542	253	C552	244	C562	252	C572	244	C582	244
C523	246	C533	244	C543	244	C553	244	C563	244	C573	244	C583	253
C524	253	C534	252	C544	244	C554	244	C564	252	C574	252	C584	244
C525	246	C535	253	C545	244	C555	244	C565	244	C575	249	C585	244
C526	244	C536	244	C546	252	C556	244	C566	244	C576	244	C586	186
C527	244	C537	244	C547	244	C557	244	C567	256	C577	244	C587	244
C528	244	C538	244	C548	254	C558	244	---	---	C578	250	C588	244
C529	254	C539	246	C549	254	C559	244	---	---	C579	186	C589	186
C530	244	C540	244	C550	244	C560	244	C570	244	C580	256	C590	252

CAPACITOR

SYMBOL NO.	INDEX NO.	SYMBOL NO.	INDEX NO.	SYMBOL NO.	INDEX NO.	SYMBOL NO.	INDEX NO.	SYMBOL NO.	INDEX NO.	SYMBOL NO.	INDEX NO.	SYMBOL NO.	INDEX NO.
C591	244	C601	253	C611	244	C621	254	C631	244	CN201	107	CN211	106
C592	244	C602	253	C612	244	C622	253	C632	244	CN202	118	CN212	120
C593	253	C603	244	C613	247	C623	244	C633	254	CN203	104	CN213	103
C594	252	C604	244	C614	244	C624	244	C634	238	CN204	125	CN214	112
C595	244	C605	256	C615	256	C625	244	C635	247	CN205	119	CN215	115
C596	256	C606	256	C616	254	---	---	C636	244	---	---	CN216	113
C597	186	C607	256	C617	244	C627	244	C637	255	CN207	105	CN217	128
C598	244	C608	253	C618	256	C628	244	C638	246	CN208	121	CN218	108
C599	256	C609	256	C619	183	C629	252	C639	254	CN209	117	CN219	126
C600	256	---	---	C620	256	C630	254	---	---	CN210	114	---	---

CONNECTOR

33.MAIN CONTROL BOARD (G047/G048)

CONNECTOR

SYMBOL NO.	INDEX NO.
CN221	127
CN222	123
CN223	124
---	---
---	---
---	---
---	---
---	---
CN250	109

SYMBOL NO.	INDEX NO.
CN251	110
CN252	112
CN253	116
CN254	117
CN255	111
CN256	102

DIODE

SYMBOL NO.	INDEX NO.
D101	137

DA

SYMBOL NO.	INDEX NO.
DA101	136
DA102	136
DA103	136
DA104	136
DA105	136
DA106	136
DA107	136
DA108	136
DA109	136
DA110	136

SYMBOL NO.	INDEX NO.
DA111	136

FILTER

SYMBOL NO.	INDEX NO.
FIL101	189
FIL102	3
FIL103	178
FIL104	177
FIL105	195
FIL106	195
FIL107	195
FIL108	195
FIL109	195
FIL110	195

SYMBOL NO.	INDEX NO.
FIL111	195
FIL112	195
FIL113	188
FIL114	3
FIL115	3
FIL116	194
FIL117	3
FIL118	3
FIL119	3
FIL120	3

FILTER

SYMBOL NO.	INDEX NO.
FIL121	3
FIL122	3
FIL123	3
FIL124	3
FIL125	3
FIL126	196
FIL127	3
FIL128	3
FIL129	3
FIL130	3

SYMBOL NO.	INDEX NO.
FIL131	3
FIL132	3
FIL133	3
FIL134	3
FIL135	3
FIL136	3
FIL137	3
FIL138	191
FIL139	3
FIL140	191

SYMBOL NO.	INDEX NO.
FIL141	232
FIL142	193
FIL143	194
FIL144	192
FIL145	190
FIL146	194
FIL147	194
FIL148	194
FIL149	190
FIL150	196

SYMBOL NO.	INDEX NO.
FIL151	194
FIL152	194

IC

SYMBOL NO.	INDEX NO.
IC101	160
IC102	145
IC103	149
IC104	145
IC105	151
IC106	166
IC107	141
IC108	163
IC109	139
IC110	149

SYMBOL NO.	INDEX NO.
IC111	147
IC112	165
IC113	141
IC114	154
IC115	155
IC116	146
IC117	143
IC118	153
IC119	140
IC120	143

SYMBOL NO.	INDEX NO.
IC121	150
IC122	158
IC123	148
IC124	157
(Socket)	129
IC125	257
IC126	150
IC127	141
IC128	140
IC129	140

33.MAIN CONTROL BOARD (G047/G048)

IC

SYMBOL NO.	INDEX NO.
IC130	140
IC131	164
IC132	152
IC133	2
IC134	142
IC135	156
IC136	161
IC137	162
IC138	1
IC139	164

JP

SYMBOL NO.	INDEX NO.
IC140	144
IC141	145
IC142	142
IC143	140
IC144	144
IC145	159

SYMBOL NO.	INDEX NO.
JP109	226
JP113	226
JP114	226
JP116	226
JP117	232

L

SYMBOL NO.	INDEX NO.
L101	187

LED

SYMBOL NO.	INDEX NO.
LED101	138

OSC

SYMBOL NO.	INDEX NO.
OSC101	168
OSC102	169

Q

SYMBOL NO.	INDEX NO.
Q101	135
Q102	132
Q103	134
Q104	134
Q105	134
Q106	134
Q107	130
Q108	135
Q109	132
Q110	130

Q

SYMBOL NO.	INDEX NO.
Q111	130
Q112	130
Q113	131
Q114	130
Q115	133
Q116	130
Q117	130
Q118	130
Q119	132
Q120	132

RESISTOR

SYMBOL NO.	INDEX NO.
R101	217
R102	217
R103	220
R104	217
R105	170
R106	170
R107	208
R108	208
R109	209
R110	213

SYMBOL NO.	INDEX NO.
R111	217
R112	207
R113	221
R114	220
R115	217
R116	217
R117	221
R118	207
R119	197
R120	217

SYMBOL NO.	INDEX NO.
R121	217
R122	217
R123	208
R124	209
R125	230
R126	209
R127	204
R128	207
R129	207
R130	220

SYMBOL NO.	INDEX NO.
R131	217
R132	207
R133	217
R134	208
R135	207
R136	217
R137	207
R138	207
R139	207
R140	207

SYMBOL NO.	INDEX NO.
R141	208
R142	208
R143	217
R144	217
R145	217
R146	217
R147	217
R148	217
R149	208
R150	208

SYMBOL NO.	INDEX NO.
R151	217
R152	217
R153	217
R154	206
R155	217
R156	217
R157	217
R158	217
R159	217
R160	217

33.MAIN CONTROL BOARD (G047/G048)

RESISTOR

SYMBOL NO.	INDEX NO.	SYMBOL NO.	INDEX NO.	SYMBOL NO.	INDEX NO.	SYMBOL NO.	INDEX NO.	SYMBOL NO.	INDEX NO.	SYMBOL NO.	INDEX NO.		
R161	217	R171	217	R181	216	R191	217	R201	217	R211	207	R221	208
R162	217	R172	217	R182	219	R192	231	R202	208	R212	207	R222	210
R163	217	R173	217	R183	217	R193	217	R203	198	R213	198	R223	217
R164	217	R174	217	R184	208	R194	202	R204	217	R214	198	R224	217
R165	208	R175	217	R185	208	R195	202	R205	198	R215	227	R225	208
R166	214	R176	225	R186	208	R196	203	R206	198	R216	229	R226	217
R167	217	R177	217	R187	205	R197	200	R207	208	R217	229	R227	217
R168	217	R178	217	R188	205	R198	217	R208	198	R218	227	R228	217
R169	217	R179	216	R189	217	R199	208	R209	198	R219	199	R229	217
R170	217	R180	216	R190	228	R200	217	R210	198	R220	218	R230	217

SYMBOL NO.	INDEX NO.	SYMBOL NO.	INDEX NO.	SYMBOL NO.	INDEX NO.	SYMBOL NO.	INDEX NO.	SYMBOL NO.	INDEX NO.	SYMBOL NO.	INDEX NO.		
R231	217	R241	208	R251	212	R261	217	R271	223	R281	223	R291	217
R232	217	R242	208	R252	217	R262	217	R272	224	R282	217	R292	217
R233	217	R243	208	R253	212	R263	221	R273	223	R283	224	R293	225
R234	217	R244	217	R254	212	R264	225	R274	223	R284	208	R294	217
R235	217	R245	212	R255	208	R265	208	R275	201	R285	217	R295	208
R236	208	R246	212	R256	208	R266	224	R276	217	R286	217	R296	219
R237	208	R247	212	R257	208	R267	224	R277	217	R287	204	R297	222
R238	208	R248	217	R258	207	R268	208	R278	217	R288	217	R298	217
R239	208	R249	212	R259	220	R269	224	R279	217	R289	217	R299	208
R240	208	R250	212	R260	221	R270	223	R280	217	R290	204	R300	217

33.MAIN CONTROL BOARD (G047/G048)

RESISTOR

SYMBOL NO.	INDEX NO.
R301	208
R302	211
R303	211
R304	235
R305	234
R306	216
R307	216
R308	235
R309	216
R310	215

SYMBOL NO.	INDEX NO.
R311	216
R312	216
R313	216
R314	216
R315	233
R316	217
R317	208
R318	208
R319	208
R320	200

SYMBOL NO.	INDEX NO.
R321	200
R322	217
R323	208
R324	208
R325	203
R326	203
R327	217
R328	217
R329	208
R332	208

REG

SYMBOL NO.	INDEX NO.
REG101	167

RN

SYMBOL NO.	INDEX NO.
RN101	174
RN102	176
RN103	176
RN104	174
RN105	174
RN106	174
RN107	174
RN108	176
RN109	174
RN110	174

SYMBOL NO.	INDEX NO.
RN111	174
RN112	174
RN113	174
RN114	176
RN115	176
RN116	176
RN117	176
RN118	173
RN119	173
RN120	174

SYMBOL NO.	INDEX NO.
RN121	174
RN122	174
RN123	176
RN124	174
RN125	176
RN126	174
RN127	174
RN128	176
RN129	176
RN130	176

RN

SYMBOL NO.	INDEX NO.
RN131	176
RN132	176
RN133	173
RN134	174
RN135	174
RN136	174
RN137	174
RN138	176
RN139	174
RN140	174

SYMBOL NO.	INDEX NO.
RN141	174
RN142	176
RN143	174
RN144	174
RN145	176
RN146	176
RN147	176
RN148	176
RN149	174
RN150	176

SYMBOL NO.	INDEX NO.
RN151	176
RN152	172
RN153	171
RN154	175
RN155	176
RN156	176
RN157	175
RN158	176
RN159	174
RN160	174

SYMBOL NO.	INDEX NO.
RN161	176
RN162	174
RN163	174
RN164	176
RN165	174
RN166	176
RN167	176
RN168	174
RN169	174

TB

SYMBOL NO.	INDEX NO.
TB101	122

TP

SYMBOL NO.	INDEX NO.
TP104	101
TP106	101
TP107	101
TP118	101
TP128	101
TP130	101
TP132	101

33.MAIN CONTROL BOARD (G047/G048)

Index No.	Part No.	Description	Q'ty Per Assembly
*	G047 5303	MCU Board	1
1	A222 5267	IC - GAVD	1
2	G024 5400	IC - TC203C220F002	1
3	G024 5431	Filter - MB-2012-150	1

Index No.	Part No.	Description	Q'ty Per Assembly
101	1101 0328	Connector Pin Contact	
102	1102 4201	Connector - 2P	
103	1102 4207	Connector - 8P	
104	1102 4209	CT Header - 10P	
105	1102 4210	Connector - 11P	
106	1102 5007	CT Header - 14P	
107	1102 5080	Connector - 5566-08A 8P	
108	1102 5410	Connector - 22P	
109	1102 5844	Connector - 5566-02A	
110	1102 6295	Connector - 2P	
111	1102 6297	Connector - 4P	
112	1102 6299	Connector - 6P	
113	1102 6300	Connector - 7P	
114	1102 6302	Connector - 9P	
115	1102 6303	Connector - 10P	
116	1102 6305	Connector - 12P	
117	1102 6306	Connector - 13P	
118	1102 6313	Connector - 6P	
119	1102 6398	Connector - 2P	
120	1102 6399	Connector - 22P	
121	1102 6400	Connector - 24P	
122	1102 6534	Connector - IMSA-9210B-1-02-GF	
123	1102 7132	Card Slot - 68p	
124	1102 7773	Connector - TX24-80R-LT-H1	
125	1102 8055	Connector - 5566-06A	
126	1102 8080	Connector - DF11-6DP-2DS	
127	1102 8096	Connector - DF11-24DP-2DSA	
128	1102 8097	Connector - DF11-26DP-2DSA	
129	1104 0588	Dip Socket - 28p	
130	1400 0591	Transistor - DTC113ZK	
131	1400 0663	Transistor - 2SA1037AK	
132	1400 0753	Transistor - DTC114VKA	
133	1400 0773	Transistor - 2SC3906K	
134	1400 0783	Transistor - TD62064AF	
135	1401 0869	Transistor-array - TD62003F	

Index No.	Part No.	Description	Q'ty Per Assembly
136	1402 1142	Diode Array - DAN217	
137	1402 1336	Diode - 1SS355	
138	1403 0313	Diode - TLR102A	
139	1407 1596	TTLIC - SN74LS14NS	
140	1407 1600	TTLIC - SN74LS244NS	
141	1407 1741	TTL - SN74LS32NS	
142	1407 1746	TTL - SN74LS240NS	
143	1407 1878	IC - TC4053BF	
144	1407 2135	TTLIC - 74F74SJ	
145	1407 2187	TTLIC - SN74LS07NS	
146	1407 2249	TTL - SN74LS174NS	
147	1407 2463	TTL - IC - SN74ALS08NS	
148	1407 3286	IC - TC74HC04AF	
149	1407 3683	IC - TC7W04F	
150	1407 3766	IC - M66240FP	
151	1407 4262	IC - M66500FP	
152	1407 4536	IC - ICS1574	
153	1407 4551	CMOS IC - TC3W02F	
154	1407 4771	IC - MC68334GFC16	
155	1407 4840	IC - TC7SH04FU	
156	1407 4929	CMOS IF - 74LCX74 SOP	
157	1407 4999	IC - STK22C48-W45	
158	1407 5032	IC - MBM29F400TC-70pFTN	
159	1407 5047	CMOS TC7SH32FU	
160	1407 5058	IC - SLA7025M(LF875)	
161	1407 5081	CMOS SN74LVTH240NS	
162	1407 5088	IC - W42C31-09G	
163	1407 5181	CMOS TC7W53FU	
164	1407 5220	CMOS IC - SN74LVTH374NS	
165	1408 0595	IC - NJM2904M	
166	1408 0611	IC - 3771	
167	1408 1295	IC - UPC2933T	
168	1503 0460	Oscillator - 32.768KHZ	
169	1503 0834	Oscillator - 44MHZ	
170	1600 0658	Resistor - 0.47 Ω \pm 5%	

Index No.	Part No.	Description	Q'ty Per Assembly
171	1601 7724	Resistor - 680 Ω MNR14J681	
172	1601 7725	Resistor - 560 Ω MNR14J561	
173	1601 7751	Resistor - 4.7K Ω \pm 5%	
174	1601 7752	Resistor Array - 10K Ω \pm 5%	
175	1601 7759	Resistor Array-100k Ω \pm 5% 0.063W	
176	1601 7867	Resistor - 33 Ω \pm 5% 1/16W	
177	1602 7002	Capacitor - 50V 100mhom	
178	1602 7077	Filter - STB271KBA	
179	1604 2291	Capacitor - 22 μ F10V	
180	1604 2510	Capacitor - 1 μ F \pm 20% 25V	
181	1604 4534	Capacitor - 47 μ F \pm 10% 50V	
182	1604 4619	Capacitor - 10 μ F \pm 20% 10V	
183	1605 0577	Capacitor - 0.33 μ F+80-20%	
184	1605 0769	Capacitor - 20pF \pm 5% 50V	
185	1605 0913	Capacitor - 0.47UF	
186	1605 0927	Capacitor - 1000pF \pm 5% 25V	
187	1607 0551	Inductor - BLM32A07PB	
188	1607 0796	Noize Filter - ACF51832-470	
189	1607 0852	Filter - BLM41P750SPB	
190	1607 0953	Filter - BK1608LL121	
191	1607 1039	Filter - ACB1608M-080	
192	1607 1049	Filter - FBMH4525HM162NT	
193	1607 1050	Filter - ACF451832-681	
194	1607 1065	Filter - FBMH3225HM102NT	
195	1607 1084	Filter - BK1608HW601	
196	1607 1085	Filter - BK1608LM152	
197	1630 1180	Resistor - 18 Ω \pm 5% 1/4W	
198	1630 1471	Resistor - 470 Ω \pm 5% 1/4W	
199	1630 3102	Resistor - 1K Ω 1/10W \pm 5%	
200	1630 3153	Resistor - 15K Ω \pm 5% 1/10W	
201	1630 3221	Resistor - 220 Ω \pm 5% 1/10W	
202	1630 3242	Resistor - 2.4K Ω \pm 5% 1/10W	
203	1630 3363	Resistor - 36 Ω \pm 5%	
204	1630 3472	Resistor - 4.7K Ω 1/10W \pm 5%	
205	1630 3473	Resistor - 47K Ω 1/10W \pm 5%	

Index No.	Part No.	Description	Q'ty Per Assembly
206	1630 4100	Resistor - 10 Ω \pm 5% 1/16W	
207	1630 4102	Resistor - 1.0K Ω \pm 5% 1/16W	
208	1630 4103	Resistor - 10K Ω \pm 5% 1/16W	
209	1630 4104	Resistor - 100 Ω \pm 5% 1/16W	
210	1630 4106	Resistor -10m Ω \pm 5% 1/16W	
211	1630 4109	Resistor - 1.0 Ω \pm 5% 1/16W	
212	1630 4121	Resistor - 120 Ω \pm 5% 1/16W	
213	1630 4124	Resistor - 120K Ω \pm 5%1/16W	
214	1630 4151	Resistor - 150 Ω \pm 5% 1/16W	
215	1630 4182	Resistor - 1.8K Ω \pm 5.00% 1/16W	
216	1630 4272	Resistor - 2.7k Ω - \pm 5% - 1/16W	
217	1630 4330	Resistor - 33 Ω \pm 5% 1/8W	
218	1630 4334	Resistor - 330K Ω \pm 5% 1/16W	
219	1630 4470	Resistor - 470 Ω \pm 5% 1/16W	
220	1630 4472	Resistor - 4.7K Ω \pm 5% 1/16W	
221	1630 4473	Resistor - 47k Ω - \pm 5% - 1/16W	
222	1630 4511	Resistor - 510 Ω - \pm 5% - 1/16W	
223	1630 4561	Resistor - 560 Ω \pm 5% 1/16W	
224	1630 4681	Resistor - 680 Ω \pm 5% 1/16W	
225	1630 4820	Resistor - 82 Ω \pm 5% 1/16W	
226	1633 0000	Resistor - 0 Ω 1/10W	
227	1633 2201	Resistor - 2.2 Ω \pm 1% 1/10W	
228	1633 3300	Resistor - 3300 Ω \pm 1% 1/10W	
229	1633 3301	Resistor - 3.3K Ω \pm 1% 1/10W	
230	1633 5602	Resistor - 56K Ω \pm 1% 1/10W	
231	1633 6800	Resistor - 680 Ω \pm 1% 1/10W	
232	1634 0000	Resistor - 0 Ω 1/16W	
233	1634 2000	Resistor - 200 Ω \pm 1% 1/16W	
234	1634 2201	Resistor - 2.20K Ω \pm 1% 1/16W	
235	1634 3301	Resistor - 3.3K Ω \pm 1% 1/16W	
236	1640 2101	Capacitor - 100 μ F \pm 20% 25V	
237	1640 5331	Capacitor - 330 μ F \pm 20% 50V	
238	1640 5470	Capacitor - 47 μ F \pm 20% 50V	
239	1640 5471	Capacitor - 470 μ F \pm 20% 50V	
240	1642 2470	Capacitor - 47 μ F \pm 20% 25V	

Index No.	Part No.	Description	Q'ty Per Assembly
241	1643 2220	Capacitor - 22 μ F \pm 20% 25V	
242	1643 2479	Aluminum Capacitor - 4.7 μ F \pm 20% 25V	
243	1660 1100	Capacitor - 10pF 50V	
244	1660 2101	Capacitor - 100pF - \pm 10% - 50V	
245	1660 2220	Capacitor - 22pF \pm 20% 35V	
246	1660 2221	Capacitor - 220pF +80-20% 50V	
247	1660 3102	Capacitor - 1000pF \pm 5% 50V	
248	1660 3330	Capacitor - 33pF \pm 5% 50V	
249	1660 3390	Capacitor - 39pF \pm 5% 50V	
250	1660 3471	Capacitor - 470pF 50V	
251	1660 3680	Capacitor - 68pF \pm 5% 50V	
252	1660 3820	Capacitor - 82pF \pm 5% 50V	
253	1660 5222	Capacitor - 2200pF \pm 10% 50V	
254	1660 7103	Capacitor - 10000pF 50V	
255	1660 7104	Capacitor - 100000pF 50V	
256	1660 9104	Capacitor - 100000pF 25V	
257	1902 0039	IC - SRAM 1M X16 70NS G1	

34.PRINTER CONTROL BOARD (G047/G048)

CAPACITOR

SYMBOL NO.	INDEX NO.	SYMBOL NO.	INDEX NO.	SYMBOL NO.	INDEX NO.	SYMBOL NO.	INDEX NO.	SYMBOL NO.	INDEX NO.	SYMBOL NO.	INDEX NO.	SYMBOL NO.	INDEX NO.
C1	146	C11	155	---	---	---	---	C51	156	C61	155	C71	149
C2	156	C12	155	---	---	---	---	C52	155	C62	153	C72	155
C3	155	C13	147	---	---	C33	146	C53	146	C63	150	C73	155
---	---	C14	147	---	---	C34	156	C54	146	C64	145	C74	149
---	---	---	---	C25	145	C35	155	C55	146	C65	155	C75	149
C6	156	---	---	C26	146	C36	155	C56	156	C66	149	C76	155
C7	155	---	---	C27	146	C37	147	C57	155	C67	149	C77	155
C8	153	---	---	C28	146	C38	145	C58	153	C68	155	C78	149
C9	150	C19	147	---	---	---	---	C59	150	C69	155	C79	149
C10	146	C20	147	---	---	---	---	C60	156	C70	149	C80	155

CAPACITOR

SYMBOL NO.	INDEX NO.	SYMBOL NO.	INDEX NO.	SYMBOL NO.	INDEX NO.	SYMBOL NO.	INDEX NO.	SYMBOL NO.	INDEX NO.	SYMBOL NO.	INDEX NO.	SYMBOL NO.	INDEX NO.
C81	155	C91	149	C101	146	C111	150	C121	156	C131	153	C141	149
C82	149	C92	155	C102	149	C112	156	C122	155	C132	150	C142	155
C83	149	C93	155	C103	153	C113	155	C123	153	C133	148	C143	156
C84	155	C94	149	C104	155	C114	153	C124	150	C134	148	C144	155
C85	155	C95	149	C105	146	C115	150	C125	156	C135	148	C145	154
C86	149	C96	155	C106	156	C116	156	C126	155	C136	148	C146	156
C87	149	C97	146	C107	146	C117	155	C127	153	---	---	C147	154
C88	155	C98	155	C108	156	C118	153	C128	150	C138	156	C148	154
C89	155	C99	153	C109	155	C119	150	C129	156	C139	155	C149	156
C90	149	C100	149	C110	153	C120	155	C130	155	C140	152	C150	154

34.PRINTER CONTROL BOARD (G047/G048)

CAPACITOR

SYMBOL NO.	INDEX NO.	SYMBOL NO.	INDEX NO.	SYMBOL NO.	INDEX NO.	SYMBOL NO.	INDEX NO.	SYMBOL NO.	INDEX NO.	SYMBOL NO.	INDEX NO.		
C151	154	C161	154	C171	154	C181	156	C191	151	C201	156	C211	147
C152	156	C162	156	C172	156	C182	156	C192	157	C202	155	C212	150
C153	154	C163	154	C173	154	C183	154	C193	153	C203	153	C213	153
C154	156	C164	154	---	---	C184	156	C194	156	C204	150	C214	155
C155	154	C165	156	C175	154	C185	154	C195	154	C205	152	C215	156
C156	156	C166	154	C176	156	C186	154	C196	156	C206	155	C216	131
C157	156	---	---	C177	154	C187	156	C197	154	C207	155	---	---
C158	154	---	---	C178	154	C188	156	C198	154	C208	147	---	---
C159	156	C169	154	C179	154	C189	154	C199	156	C209	147	---	---
C160	154	C170	156	C180	154	C190	151	C200	155	C210	147	C220	147

CAPACITOR

SYMBOL NO.	INDEX NO.
C221	155
C222	147
C223	147
C224	147
C225	147
C226	147
C227	147
C228	147
C229	147
C230	156

CONNECTOR

SYMBOL NO.	INDEX NO.
CN1	104
CN2	102
CN3	102
CN4	103
CN5	106
CN6	106
CN7	105
CN8	101

DIODE

SYMBOL NO.	INDEX NO.
D1	109

FILTER

SYMBOL NO.	INDEX NO.
FIL1	132
FIL2	132
FIL3	132
FIL4	132

IC

SYMBOL NO.	INDEX NO.
IC1	116
---	---
IC3	3
IC4	118
IC5	111
---	---
IC7	117
IC8	113
---	---
IC10	117

SYMBOL NO.	INDEX NO.
IC11	1
IC12	2
IC13	123
IC14	121
IC15	122
IC16	121
IC17	121
IC18	119
IC19	120
(Socket)	107

SYMBOL NO.	INDEX NO.
IC20	111
IC21	124
---	---
IC23	110
IC24	114
IC25	112
IC26	111
IC27	115

34.PRINTER CONTROL BOARD (G047/G048)

JP

SYMBOL NO.	INDEX NO.
----	---
----	---
JP3	144
JP4	144
----	---
----	---
JP7	144
----	---
JP9	144
JP10	144

SYMBOL NO.	INDEX NO.
----	---
----	---
----	---
JP14	143
JP15	143
----	---
JP16	143
JP17	143
JP18	144
JP19	144
JP20	144

SYMBOL NO.	INDEX NO.
JP21	144
JP22	144
JP23	144
JP24	144
JP25	144
----	---
JP26	144

OSC

SYMBOL NO.	INDEX NO.
OSC2	126

RESISTOR

SYMBOL NO.	INDEX NO.
R1	133
----	---
----	---
R4	133
----	---
----	---
R6	133
----	---
R8	133
R9	133
R10	133

SYMBOL NO.	INDEX NO.
R11	133
R12	133
R13	133
R14	133
R15	133
----	---
R16	133
R17	142
R18	142
R19	142
R20	142

SYMBOL NO.	INDEX NO.
R21	142
R22	142
R23	142
R24	142
----	---
----	---
R26	142
----	---
R28	141
R29	139
----	---

RESISTOR

SYMBOL NO.	INDEX NO.
----	---
----	---
R33	133
----	---
----	---
----	---
----	---
R37	139
R38	133
R39	133
R40	136

SYMBOL NO.	INDEX NO.
R41	133
R42	133
R43	133
R44	136
R45	136
----	---
R46	133
R47	133
R48	133
R49	133
R50	138

SYMBOL NO.	INDEX NO.
----	---
----	---
----	---
----	---
----	---
----	---
R56	136
R57	133
R58	133
----	---
R60	139

SYMBOL NO.	INDEX NO.
R61	139
R62	133
R63	133
R64	139
----	---
----	---
R66	133
----	---
----	---
R69	139
R70	133

SYMBOL NO.	INDEX NO.
R71	133
R72	133
----	---
----	---
----	---
----	---
R76	137
R77	134
R78	133
----	---
R80	139

SYMBOL NO.	INDEX NO.
R81	139
R82	139
R83	139
R84	139
R85	139
----	---
R86	139
R87	139
R88	139
----	---
R90	139

SYMBOL NO.	INDEX NO.
R91	135
R92	133
R93	135
R94	135
R95	141
----	---
----	---
R97	136
R98	136
R99	136
R100	135

34.PRINTER CONTROL BOARD (G047/G048)

RESISTOR

SYMBOL NO.	INDEX NO.
R101	133
R102	135
R103	141
R104	133
R105	133
R106	141
R107	141
R108	141
R109	141
R110	141

SYMBOL NO.	INDEX NO.
R111	141
R112	141
R113	141
R114	141
R115	141
R116	141
---	---
---	---
R119	141
R120	141

SYMBOL NO.	INDEX NO.
R121	140
R122	140
R123	141
R124	133
R125	141
R126	141
R127	141
R128	141
R129	141
R130	141

SYMBOL NO.	INDEX NO.
R131	141
R132	141
---	---
---	---
R135	141
R136	141
R137	141
R138	141
R139	141
---	---

SYMBOL NO.	INDEX NO.
---	---
R142	133
R143	133
R144	133
R145	133
---	---
---	---
---	---
---	---
---	---

SYMBOL NO.	INDEX NO.
---	---
---	---
---	---
R154	133
R155	133

REG

SYMBOL NO.	INDEX NO.
REG1	125

RN

SYMBOL NO.	INDEX NO.
RN1	127
RN2	127
RN3	127
RN4	127
RN5	127
RN6	127
RN7	127
RN8	127
RN9	129
RN10	129

SYMBOL NO.	INDEX NO.
RN11	129
RN12	129
RN13	129
RN14	129
RN15	129
RN16	129
RN17	129
RN18	129
RN19	129
RN20	129

SYMBOL NO.	INDEX NO.
RN21	129
RN22	129
RN23	129
RN24	128
RN25	128
RN26	128
RN27	128
RN28	128
RN29	128
RN30	128

SYMBOL NO.	INDEX NO.
RN31	128
RN32	128
RN33	128
RN34	128
RN35	128
RN36	128
RN37	128
RN38	128
RN39	128
RN40	128

SYMBOL NO.	INDEX NO.
RN41	128
RN42	128
RN43	128
RN44	128
RN45	128
RN46	128
RN47	128
RN48	128
RN49	128
RN50	128

SYMBOL NO.	INDEX NO.
RN51	128
RN52	128
RN53	128
RN54	128
RN55	128
RN56	128

SW

SYMBOL NO.	INDEX NO.
SW2	108

34.PRINTER CONTROL BOARD (G047/G048)

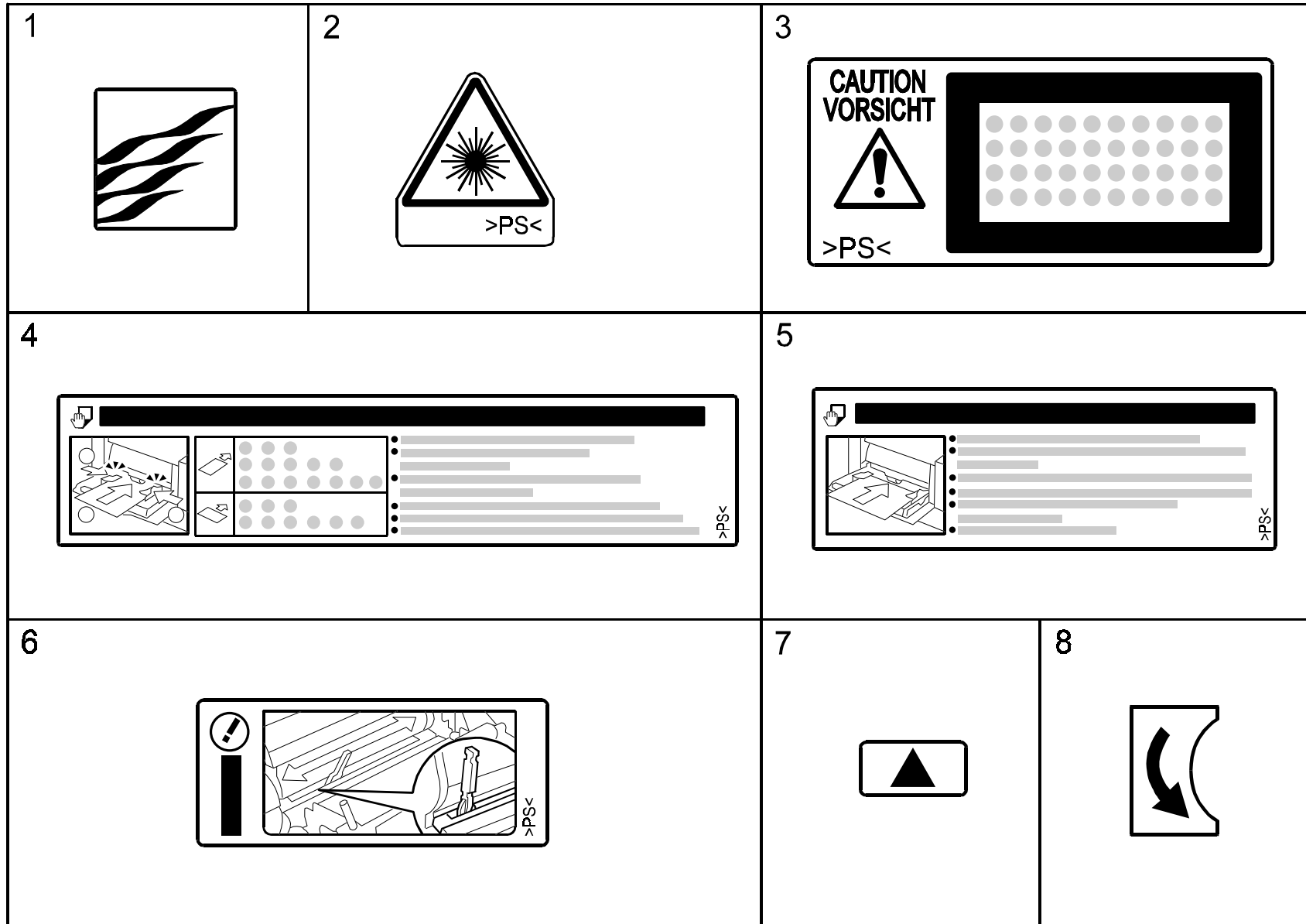
Index No.	Part No.	Description	Q'ty Per Assembly
*	G047 5768	Printer Control Board	1
1	G024 5415	IC - UPD30210-177	1
2	G038 5300	IC - ASIC ROCKY-R	1
3	G038 5351	IC - Font ROM 64Mbit	1

Index No.	Part No.	Description	Q'ty Per Assembly
101	1102 6019	Connector - FCN685J036-I/YA	
102	1102 7358	Connector - 80P	
103	1102 7585	DIMM Connector - 93764-51872	
104	1102 7778	Connector - TX25-80P-12ST	
105	1102 8153	Connector - FCN-568P068-G/05A-V4	
106	1102 8189	Dimm Connector - 54534-1440	
107	1104 0588	Dip Socket - 28p	
108	1204 2480	DIP Switch - DSS808	
109	1402 1343	Diode - RB106L-40	
110	1407 4300	IC - TC74VHC32F	
111	1407 4405	IC - TC74VHC244F	
112	1407 4816	IC - 74VHC273 SOP	
113	1407 4896	IC - 74VHC00 TSSOP	
114	1407 4926	IC - 74LCX04 SOP	
115	1407 4935	IC - 74LCX374 SOP	
116	1407 4950	IC - 74LCX374 TSSOP	
117	1407 4963	IC - MBM29F800TA-70pFTN	
118	1407 5022	IC - 74VHC273 TSSOP	
119	1407 5040	IC - SN74LVC161284DL	
120	1407 5098	IC - AT28C64E-15PC EEPROM	
121	1407 5172	IC - 74ALVC16244A TSSOP	
122	1407 5173	IC - 74ALVCH16245 TSSOP	
123	1407 5174	CMOS - SN74LVC04APW	
124	1408 0611	IC - 3771	
125	1408 1308	Regulator - PQ3RF33	
126	1503 0939	Oscillator - 59MHZ	
127	1601 7752	Resistor Array - 10K Ω \pm 5%	
128	1601 7867	Resistor - 33 Ω \pm 5% 1/16W	
129	1601 7871	Resistor - 68 Ω \pm 5% 1/16W	
130	1605 0912	Capacitor - 0.082 μ F \pm 10% 25V	
131	1605 0942	Capacitor - 0.22 μ F+80 -20% 50V	
132	1607 0978	Inductor - BLM21P300SPB	
133	1630 4103	Resistor - 10K Ω \pm 5% 1/16W	
134	1630 4104	Resistor - 100 Ω \pm 5% 1/16W	
135	1630 4121	Resistor - 120 Ω \pm 5% 1/16W	

Index No.	Part No.	Description	Q'ty Per Assembly
136	1630 4122	Resistor - 1.2K Ω 5% 1/16W	
137	1630 4124	Resistor - 120K Ω \pm 5% 1/16W	
138	1630 4222	Resistor - 2.2K Ω \pm 5% 1/16W	
139	1630 4330	Resistor - 33 Ω \pm 5% 1/8W	
140	1630 4519	Resistor - 5.1 Ω \pm 5% 1/16W	
141	1630 4680	Resistor - 68 Ω \pm 5% 1/16W	
142	1630 4820	Resistor - 82 Ω \pm 5% 1/16W	
143	1633 0000	Resistor - 0 Ω 1/10W	
144	1634 0000	Resistor - 0 Ω 1/16W	
145	1642 2101	Capacitor - 100 Ω \pm 20% 25V	
146	1642 2470	Capacitor - 47 μ F \pm 20% 25V	
147	1660 3150	Capacitor - 15pF 50V	
148	1660 3221	Capacitor - 220pF \pm 5% 50V	
149	1660 3331	Capacitor - 330pF \pm 5% 50V	
150	1660 3470	Capacitor - 47pF \pm 5% 50V	
151	1660 3680	Capacitor - 68pF \pm 5% 50V	
152	1660 4103	Capacitor - 10000pF - \pm 10% - 50V	
153	1660 5102	Capacitor - 1000pF \pm 10% 50V	
154	1660 5222	Capacitor - 2200pF \pm 10% 50V	
155	1660 7103	Capacitor - 10000pF 50V	
156	1660 9104	Capacitor - 100000pF 25V	

Index No.	Part No.	Description	Q'ty Per Assembly

35.DECAL AND DOCUMENT (G047/G048)



35.DECAL AND DOCUMENT (G047/G048)

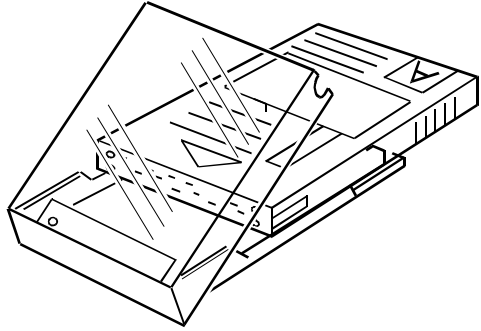
<p>9</p>	<p>11</p>	
<p>10</p>	<p>12</p>	
<p>13</p>	<p>14</p>	<p>15</p>
<p>16</p>		<p>>PS<</p>

35.DECAL AND DOCUMENT (G047/G048)

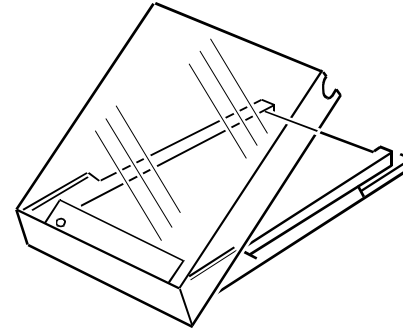
<p>17</p>	<p>18</p>		
<p>19</p>	<p>20</p>	<p>21</p>	<p>22</p>
	<p>23</p>		

36.SPECIAL TOOLS (G047/G048)

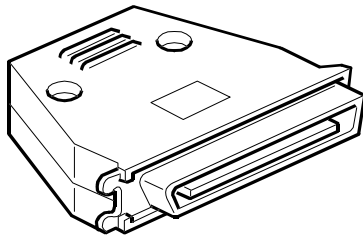
1



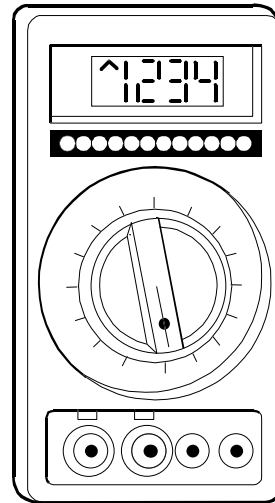
2



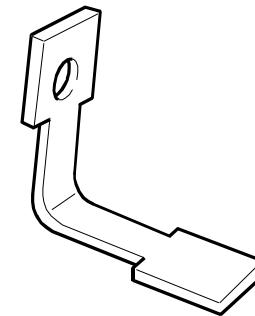
3



4



5



36.SPECIAL TOOLS (G047/G048)

Index No.	Part No.	Description	Q'ty Per Assembly
1	A230 9352	Flash Memory Card - 4MB	1
2	A230 9351	Case - Flash Memory Card	1
3	G010 9350	Loopback Conector - P-RS3CNT	1
3	G021 9350	Loopback Conector - Parallel	1
4	5420 9507	Digital Multimeter - Beckman	1
5	G024 9310	Adjusting Plate	1

Index No.	Part No.	Description	Q'ty Per Assembly

Parts Index

Parts Index

Part No.	Description	Page and Index No.
G047 1051	Left Side Plate	41- 19
G047 1056	Torsion Spring - Left Paper Exit	43- 1
G047 1061	Unlock Holder - Paper Exit Unit	41- 9
G047 1062	Unlock Button - Paper Exit Unit	41- 8
G047 1063	Button Spring	41- 10
G047 1072	Lock Shaft - Paper Exit Unit	41- 4
G047 1073	Lock Pawl - Ppaper Exit Unit	41- 3
G047 1074	Lock Bracket - Paper Exit Unit	41- 5
G047 1075	Torsion Spring	41- 2
G047 1082	Main Switch Holder	41- 6
G047 1085	Rear Upper Stay	41- 12
G047 1086	Positioning Plate - Paper Exit Unit	41- 13
G047 1088	Spring Plate - Paper Exit	41- 14
G047 1101	Right Side Plate	41- 20
G047 1106	Right Torsion Spring	43- 36
G047 1175	Stay-front Lower-support	67- 8
G047 1287	Gear - Z25	69- 11
G047 1407	Lower Control Board Bracket	63- 1
G047 1410	Fan Cushion	63- 19
G047 1414	Rear LowerStay	63- 2
G047 1415	Rear Upper Cover Bracket	11- 19
G047 1427	Control Board Bracket	59- 15
G047 1428	Rear Upper Stay	61- 1
G047 1429	Control Board Cover	59- 2
G047 1430	Rear Control Board Cover	59- 1
G047 1431	Support Bracket - Safety Switch	63- 4
G047 1436	MCU Holder	61- 18
G047 1465	Ozone Filter	13- 14
G047 1465	Ozone Filter	11- 12
G047 1485	Option Cover	59- 4
G047 1502	Upper Cover	13- 5
G047 1504	Transport Unit Cover	43- 19
G047 1507	Exit Tray	13- 12
G047 1509	Rear Upper Cover	13- 10
G047 1518	Upper Cover Seal	9- 16

Part No.	Description	Page and Index No.
G047 1529	Rear Lower Cover	11- 9
G047 1539	Decal - Operation - Toner Magazine	89- 14
G047 1539	Decal - Operation - Toner Magazine	11- 1
G047 1539	Decal - Operation - Toner Magazine	13- 1
G047 1544	Heat Insulation - Upper Cover	11- 5
G047 1560	Brand Name Plate - RIC (G047)	9- 21
G047 1561	Brand Name Plate - SVN (G047)	9- 21
G047 1562	Brand Name Plate - GES (G047)	9- 21
G047 1563	Brand Name Plate - NSA (G047)	9- 21
G047 1564	Brand Name Plate - REX (G047)	9- 21
G047 1565	Brand Name Plate - INF (G047)	9- 21
G047 1808	Bracket - Fusing Drive	69- 10
G047 1884	Cleaning Blade Lever	69- 16
G047 2755	Optical Unit	27- 1
G047 2761	LD Unit	27- 7
G047 2834	Seal - Polygon Mirror	27- 18
G047 3143	Front Left Side Plate	19- 14
G047 3221	Lower Stay	23- 8
G047 3232	Pick-up Arm	23- 22
G047 3236	Pick-up Arm Spacer	23- 34
G047 3257	Feed Roller	23- 25
G047 3293	Cover - By-pass Feed Table Ass'y (RIC)	9- 13
G047 3294	Cover - By-pass Feed Table Ass'y (OEM)	9- 13
G047 3409	Guide Plate - Transport Ass'y	15- 14
G047 3650	Decal - Misfeed Removal	11- 18
G047 3650	Decal - Misfeed Removal	89- 15
G047 3661	Transfer Roller	17- 15
G047 3672	Spring - Transfer Roller - Left	17- 30
G047 3688	Seal	17- 25
G047 4501	Fusing Unit - NA (G047)	29- 14
G047 4502	Fusing Unit - EU (G047)	29- 14
G047 4600	Hot Roller	35- 15
G047 4603	Gear - 47z	35- 16
G047 4610	Pressure Roller - M45	35- 12

Part No.	Description	Page and Index No.
G047 4616	Right Side Plate (G047)	35-
23G047 4617	Left Side Plate	35- 10
G047 4627	Side Plate Bracket	35- 33
G047 4631	Upper Stay	33- 11
G047 4638	Bracket - Contact Point - Blade - R	33- 15
G047 4644	Oil Sump	29- 3
G047 4646	Decal - High Temp. Warning	29- 27
G047 4646	Decal - High Temp. Warning	89- 16
G047 4670	Fusing Cover	29- 4
G047 4672	Small Fusing Cover	29- 18
G047 4682	Fusing Thermistor	33- 3
G047 4683	Pressure Roller Thermistor	33- 12
G047 4685	Hot Roller Thermofuse	33- 5
G047 4686	Pressure Roller Thermofuse	33- 10
G047 4710	Exit Roller - M18 (G048)	29- 9
G047 4728	Connector Bracket	63- 6
G047 4758	Exit Drive Gear	29- 15
G047 4759	Drive Gear - 17z	29- 15
G047 4762	Drive Gear - 27z (G048)	35- 29
G047 4763	Blade - G047 - Ass'y	31- 10
G047 4764	Hot Roller Lamp - 120V - 600W	33- 1
G047 4766	Pressure Roller Lamp - 120V - 400W	33- 2
G047 4767	Hot Roller Lamp - 230V - 600W	33- 1
G047 4768	Pressure Roller Lamp - 230V - 400W	33- 2
G047 4769	Exit Frame (G048)	29- 6
G047 4785	Idle Roller	29- 13
G047 4838	Right Fiber Sheet	35- 34
G047 4839	Outer Left Sheet	35- 35
G047 4851	Knob Sheet (G048)	29- 28
G047 4852	Fusing Cover Sheet	29- 26
G047 4853	Exit Cover Sheet	31- 15
G047 4856	Sheet - Right Guide Plate (G048)	29- 29
G047 4857	Sheet - Middle Guide Plate (G048)	29- 30
G047 4858	Sheet - Left Guide Plate (G048)	29- 31
G047 4859	Exit Sheet	31- 12

Part No.	Description	Page and Index No.
G047 4860	Rear Inner Sheet	31- 14
G047 4873	Grounding Spring Plate	35- 36
G047 4875	Discharge Brush - Fusing Unit (G047)	29- 33
G047 5055	Power Supply Unit - NA	61- 2
G047 5056	Power Supply Unit - EU/ASIA	61- 2
G047 5113	Harness - Door Switch	61- 3
G047 5114	Harness - Fusing Lamp (G047)	63- 20
G047 5118	Harness - Used Toner Sensor	67- 6
G047 5120	Harness - Paper Feed Unit	71- 13
G047 5123	High Voltage Harness - Transfer	61- 7
G047 5124	High Voltage Harness - Charge	61- 6
G047 5124	High Voltage Harness - Charge	67- 16
G047 5131	Harness - Main Output	61- 16
G047 5132	Harness - Main Input	61- 12
G047 5303	MCU Board	79- *
G047 5303	MCU Board	61- 17
G047 5450	Main Motor - 40W	53- 29
G047 5768	Printer Control Board	59- 13
G047 5768	Printer Control Board	85- *
G047 7610	Exit Roller - Paper Exit Unit	43- 14
G047 7614	Stay - Upper Transport Unit	43- 16
G047 7616	Stay - Lower Transport Unit	43- 2
G047 7618	Exit Pawl	43- 4
G047 7624	Spring Plate - Exit Roller	43- 18
G047 7646	Guide Plate - Upper Exit	43- 15
G047 7654	Side Plate - Transport Unit	43- 21
G047 7670	Side Plate - Transport Unit	43- 5
G047 8617	Setup Guide - RIC	89- 23
G047 8627	Setup Guide - GES/SVN	89- 23

Part No.	Description	Page and Index No.
AA04 3373	Timing Belt - S2M308	49- 9
AA04 3373	Timing Belt - S2M308	39- 12
AA04 3375	Timing Belt - S2M 300	39- 29
AA06 0263	Clutch Spring	43- 10
AA06 0436	Tray Lock Spring	41- 18
AA06 3284	Spring	35- 9
AA06 3285	Spring	35- 24
AA06 3499	Pressure Spring	23- 14
AA06 3504	Spring - L0wer Exit Roller (G048)	29- 25
AA06 3504	Spring - Lower Exit Roller	43- 25
AA06 6273	Spring	29- 11
AA08 0034	Bushing - 4x5x7	47- 5
AA08 0037	Bushing - 6mm	23- 13
AA08 3010	Clutch Roller - 6x14x10	23- 20
AA13 2024	Spacer - M6	69- 19
AA14 3025	Stepped Screw - M3	29- 1
AA14 3287	Stepped Screw - M3	15- 13
AA14 3288	Stepped Screw	37- 2
AA14 3396	Screw - M4X4	71- 12
AA14 3516	Stepped Screw - Max5	31- 13
AB01 1343	Idle Gear - 23z	23- 23
AB01 1344	Gear - 16Z	23- 15
AB01 1345	Gear - 20Z	23- 16
AB01 1346	Gear - 27Z	57- 8
AB01 3683	Gear - 16Z	43- 27
AB01 3881	Gear - 31Z	45- 13
AB01 7400	Gear- 18z/68z	45- 12
AB03 0431	Transport Pulley	39- 13
AB03 0431	Transport Pulley	43- 9
AB03 0474	Pulley - 24T	43- 6
AB03 0474	Pulley - 24T	39- 11
AB03 0474	Pulley - 24T	49- 10
AB03 0476	Pulley - 16Z	43- 7
AB03 0476	Pulley - 16Z	39- 30

Part No.	Description	Page and Index No.
AE03 0024	Ball Bearing - 25x39.8x7	35- 14
AE03 1021	Bushing - 6mm	35- 8
AE03 1022	Bushing - 4mm	31- 8
AE03 2001	Bushing - 20mm	35- 30
AF03 0362	Pick-up Roller	23- 32
AF03 2025	Separation Roller	23- 10
AW01 0088	Sensor GP2A200LCS - Assembly	45- 4
AW02 0056	Photointerrupter - EE-SX4235A-P1	23- 5
AW02 0056	Photointerrupter - EE-SX4235A-P1	57- 5
AW02 0056	Photointerrupter - EE-SX4235A-P1	63- 13
AW02 0056	Photointerrupter - EE-SX4235A-P1	25- 15
AW02 0086	Photointerruptor	33- 9
AW02 0098	Photosensor	39- 23
AW02 0110	Photointerruptor	25- 3
AW02 0119	Photointerruptor - IG-248L1	49- 18
AW02 0119	Photointerruptor - IG-248L1	57- 12
AW02 0119	Photointerruptor - IG-248L1	63- 12
AW23 0009	Toner End Sensor	67- 2
AX06 0181	Polygon Mirror Motor	27- 13
AX64 0099	Fan Motor - DC24V 1.92W	59- 10
AX64 0099	Fan Motor - DC24V 1.92W	63- 8
AX64 0099	Fan Motor - DC24V 1.92W	15- 16
G004 3519	Stepping Screw	41- 21
G010 9350	Loopback Conector - P-RS3CNT	91- 3
G011 3305	Gear - 16T	9- 7
G011 3305	Gear - 16T	45- 14
G012 5600	Sensor - H29.2	49- 15
G020 1184	Flange - Fly Wheel	53- 19
G020 1189	Fly Wheel	53- 26
G020 1391	Screw - M3x4.5	59- 3
G020 1391	Screw - M3X4.5	37- 14
G020 1917	Decal - LD	27- 5
G020 1917	Decal - LD	89- 2
G020 1918	Decal - Laser Diode (230V)	27- 6
G020 1918	Decal - Laser Diode (230V)	89- 3

Part No.	Description	Page and Index No.
G020 5439	Harness - Polygon Mirror Motor	27- 10
G020 5626	Push Switch	67- 7
G021 9350	Loopback Conector - Parallel	91- 3
G024 1003	Ground Plate	71- 9
G024 1004	Left Guide Rail - Paper Tray	71- 10
G024 1005	Right Guide Rail - Paper Tray	71- 6
G024 1006	Guide Rail Stay	51- 1
G024 1006	Guide Rail Stay	71- 7
G024 1007	Rubber Foot - 23mm	51- 2
G024 1007	Rubber Foot - 23mm	71- 8
G024 1022	Paper Feed Sensor Bracket	25- 13
G024 1057	Lock Lever	67- 21
G024 1059	Grounding Plate	69- 18
G024 1061	Left Bracket - Contact Point	67- 18
G024 1062	Contact Point Shaft	19- 3
G024 1063	Contact Point Collar	19- 2
G024 1064	Left Bracket - Spring Stopper	19- 12
G024 1065	Right Bracket - Contact Point	67- 5
G024 1066	Right Bracket - Spring Stopper	19- 30
G024 1067	Torsion Spring	19- 1
G024 1068	Torsion Spring	19- 4
G024 1072	Front Lower Stay	67- 17
G024 1095	Sensor Bracket	57- 13
G024 1141	Drive Shaft Bracket	67- 26
G024 1152	Terminal Plate	67- 12
G024 1153	Terminal Plate	67- 13
G024 1154	Terminal Grid	67- 15
G024 1155	Terminal Spring	67- 11
G024 1177	Switch Bracket	67- 10
G024 1188	Compression Spring	69- 9
G024 1191	Gear - 35Z/42Z	57- 15
G024 1192	Idle Gear - 53z	57- 16
G024 1193	Idle Gear - 45z	57- 14
G024 1194	Gear - 25Z/33Z	57- 9
G024 1195	Idel Gear - 37z	57- 7

Part No.	Description	Page and Index No.
G024 1202	Idle Gear - 91z	53- 28
G024 1225	Gear - 43Z/21Z	55- 25
G024 1226	Idle Gear - 29z	55- 21
G024 1229	Joint Gear - 27z	65- 10
G024 1232	Compression Spring	65- 9
G024 1233	Development Joint Collar	65- 11
G024 1234	Spacer - 12.2x18x0.25	65- 8
G024 1235	Development Drive Solenoid - DC24V	55- 27
G024 1239	Bushing - 6x16mm	65- 7
G024 1242	Timing Pulley - 39Z/35Z/21Z	55- 16
G024 1243	Idle Gear - 34z	55- 19
G024 1244	Idle Gear - 35z	55- 20
G024 1246	Belt Tightener	55- 28
G024 1249	Tightener Roller	55- 15
G024 1250	Belt Tightener	53- 23
G024 1251	Drive Joint	65- 5
G024 1259	Tightener Spring	55- 29
G024 1261	Gear - 30Z/39Z	55- 7
G024 1264	Gear - 45Z	55- 8
G024 1267	Gear - 27Z	67- 9
G024 1286	Tightener Spring	53- 24
G024 1312	Drive Shaft	53- 6
G024 1313	Driven Shaft	53- 11
G024 1314	Pulley Pin	53- 5
G024 1315	Timing Belt - S1.5M 180	53- 16
G024 1318	Tightner Roller	53- 14
G024 1322	Tension Spring	53- 12
G024 1324	Cam Clutch	53- 7
G024 1329	Compression Spring	53- 8
G024 1339	Joint Release Arm	55- 12
G024 1341	Joint Release Bracket	55- 11
G024 1342	Joint Release Shaft	55- 10
G024 1347	Belt Tightner	53- 13
G024 1415	Power Supply Holder	61- 11
G024 1421	Fan Motor Duct	63- 7

Part No.	Description	Page and Index No.
G024 1422	Grounding Plate	69- 2
G024 1423	Fan Motor Cover	59- 9
G024 1426	Main Switch Bracket	63- 17
G024 1431	Switch Bracket	63- 4
G024 1434	Safety Switch Lever	63- 5
G024 1437	Cooling Fan Duct	69- 3
G024 1439	Grounding Plate	59- 18
G024 1441	Grounding Plate - DTM Support	65- 31
G024 1446	Sensor Holder	59- 17
G024 1446	Sensor Holder	63- 3
G024 1447	Grounding Plate - Rear Lower Stay	59- 12
G024 1449	Gasket 47	61- 20
G024 1452	Gasket 95	61- 21
G024 1473	Bushing	65- 30
G024 1473	Bushing	55- 33
G024 1473	Bushing	17- 29
G024 1473	Bushing	15- 22
G024 1501	Front Cover	9- 15
G024 1503	Right Cover	11- 11
G024 1506	Oil Cover	13- 3
G024 1506	Oil Cover	11- 3
G024 1510	Duct Cover	13- 13
G024 1510	Duct Cover	11- 13
G024 1514	Left Cover - PS	11- 4
G024 1514	Left Cover - PS	13- 4
G024 1522	Upper Cover	11- 6
G024 1527	Paper Exit Tray	13- 11
G024 1527	Paper Exit Tray	11- 7
G024 1528	Upper Rear Cover	11- 8
G024 1533	Brush	13- 18
G024 1533	Brush	11- 16
G024 1534	DTM Cover	13- 2
G024 1534	DTM Cover	11- 2
G024 1538	Left Front Inner Cover	13- 17
G024 1538	Left Front Inner Cover	11- 15

Part No.	Description	Page and Index No.
G024 1542	Right Front Inner Cover	11- 14
G024 1542	Right Front Inner Cover	13- 16
G024 1543	Left Inner Cover - Frame	13- 19
G024 1543	Left Inner Cover - Frame	11- 17
G024 1544	Right Inner Cover - Frame	13- 20
G024 1544	Right Inner Cover - Frame	11- 10
G024 1551	Decal - Paper	9- 18
G024 1551	Decal - Paper	89- 4
G024 1552	Decal - OHP	89- 5
G024 1560	Inner Cover - Toner Hopper	63- 11
G024 1563	Shielding Plate	59- 16
G024 1574	Dust Seal	59- 11
G024 1582	Cover - Inlet	71- 11
G024 1583	Shielding Plate - Fusing Cover	13- 8
G024 1584	Spacer - Shielding Plate	13- 6
G024 1621	Grounding Plate	19- 33
G024 1622	Spring	19- 32
G024 1645	Oil Dumper	67- 19
G024 1651	Position Plate - Upper Left Front	69- 17
G024 1652	Position Plate - Lower Left	67- 20
G024 1655	Position Plate - Upper Right Front	69- 4
G024 1656	Position Plate - Lower Right	67- 22
G024 1671	Rear Stay	69- 1
G024 1675	Development Upper Cover	65- 12
G024 1676	Decal - Cleaner	65- 13
G024 1676	Decal - Cleaner	89- 6
G024 1681	PCU Left Guide	19- 19
G024 1682	PCU Right Guide	19- 28
G024 1684	PCU Stopper	19- 15
G024 1685	PCU Left Bracket	19- 17
G024 1687	Stopper Spring	19- 16
G024 1688	Decal - Positioning Display	89- 7
G024 1688	Decal - Positioning Display	19- 18
G024 1689	Hexagonal Bolt - M3x19	19- 34
G024 1690	Decal - Screw	89- 8

Part No.	Description	Page and Index No.
G024 1690	Decal - Screw	19- 27
G024 1691	Spring Plate	67- 14
G024 1693	Development Cover Bracket	65- 6
G024 1695	Cover Bracket - Left Upper	65- 3
G024 1696	Cover Bracket - Front Left	65- 1
G024 1697	LD Harness Plate	65- 32
G024 1712	Gear - 84Z	53- 21
G024 1713	Gear - 84Z/84Z	53- 22
G024 1714	Pulley - 84Z/120Z	53- 17
G024 1716	Timing Belt - S1.5M 378	53- 30
G024 1719	Belt Tightener	53- 15
G024 1730	Drive Gear Bracket	53- 10
G024 1735	Upper Gear Holder	53- 18
G024 1736	Lower Gear Holder	53- 25
G024 1740	Joint Release Lever	55- 13
G024 1743	Compression Spring	55- 14
G024 1750	Fly Wheel - 118mm	53- 20
G024 1770	Bias Terminal Assy	63- 9
G024 1774	Dtm Lower Cover	65- 14
G024 1803	Gear - 93Z/29Z	69- 6
G024 1804	Gear - 49Z	69- 7
G024 1806	Gear - 42Z/21Z	69- 8
G024 1813	Gear - 17Z	69- 12
G024 1814	Gear Bracket	69- 5
G024 1815	Gear - 22Z/17Z	69- 15
G024 1819	Gear - 65Z	55- 30
G024 1820	Drive Relay Shaft	55- 22
G024 1824	Gear - 41Z	55- 23
G024 1825	Worm Wheel	53- 2
G024 1841	Timing Belt - B60S3M276	55- 17
G024 1845	Timing Belt - B60S3M354	55- 18
G024 1851	Solenoid Bracket	55- 24
G024 1862	Idle Gear - 50z	55- 6
G024 1863	Idle Gear - 39z	55- 5
G024 1865	Idle Gear - 20z	55- 9

Part No.	Description	Page and Index No.
G024 1868	Lower Drive Shaft	67- 25
G024 1869	Gear - 18Z	67- 24
G024 1871	Revolver Motor - DC3.2V 2.7A	53- 4
G024 1877	Motor Bracket	53- 3
G024 1881	Belt Cleaning Solenoid	55- 26
G024 1886	Fusing Drive Arm	69- 13
G024 1887	Gear Holder	53- 1
G024 1891	Transport Roller Shaft	55- 31
G024 1892	Transport Roller Gear	55- 1
G024 1893	Gear - 19Z	25- 17
G024 1894	Magnetic Clutch Bracket	55- 4
G024 1897	Bushing - 5.5x8mm	53- 31
G024 1899	Ball Bearing - 8mm	55- 32
G024 1899	Ball Bearing - 8mm	53- 9
G024 2801	Optical Housing Cover	27- 4
G024 2821	Shielding Plate	27- 2
G024 2833	Seal - Optical Housing Cover	27- 14
G024 2835	Positioning Pin	27- 11
G024 2840	Heatsink - Polygon Motor	27- 15
G024 2843	Spring Plate - Polygon Motor	27- 9
G024 2866	Dust Proof Glass	27- 3
G024 2867	Sync Detect Mirror	27- 16
G024 3010	Paper Feed Roller Shaft	25- 12
G024 3015	Grounding Plate	25- 22
G024 3022	Paper End Feeler	25- 14
G024 3055	Cassette	21- 3
G024 3059	Decal - Paper Set	21- 2
G024 3059	Decal - Paper Set	89- 9
G024 3060	Right Side Fence	21- 14
G024 3062	Left Side Fence	21- 9
G024 3064	End Fence	21- 13
G024 3068	Base Plate	21- 11
G024 3075	Tension Spring	21- 5
G024 3077	Spring Tube	21- 6
G024 3078	Separation Compression Spring	21- 8

Part No.	Description	Page and Index No.
G024 3085	Spring Plate	21- 15
G024 3107	Registration Roller	17- 3
G024 3108	Registration Roller	17- 5
G024 3110	Upper Guide Plate Ass'y	17- 13
G024 3111	Upper Guide Plate	17- 2
G024 3112	Shield - Registration Guide Palte	17- 27
G024 3114	Lower Guide Plate	17- 4
G024 3116	Registration Roller Spring - Driven	17- 24
G024 3120	Registration Brake Holder	15- 1
G024 3122	Bushing	17- 23
G024 3124	Grounding Plate	17- 26
G024 3149	Left Bushing	19- 13
G024 3153	Right Side Plate	19- 29
G024 3163	Right Bushing	19- 31
G024 3167	Upper Stay	15- 4
G024 3169	Upper Stay 2	15- 7
G024 3171	Lower Stay	19- 9
G024 3173	Lower Transport Guide Plate	19- 11
G024 3175	Upper Guide Plate	15- 5
G024 3178	Entrance Seal - Transport	15- 6
G024 3179	Un Lock Lever - Right	15- 9
G024 3181	Un Lock Button	15- 21
G024 3183	Button Spring	15- 24
G024 3184	Un Lock Holder	15- 19
G024 3185	Un Lock Shaft	15- 8
G024 3186	Left Lever	17- 17
G024 3187	Right Lever	17- 20
G024 3189	Tension Spring	17- 16
G024 3190	Tension Spring	15- 20
G024 3196	Magnetic Clutch Stopper	57- 6
G024 3206	Left Side Plate	23- 33
G024 3208	Left Holder - By-pass Feed	23- 6
G024 3212	Right Side Plate	23- 19
G024 3217	Right Holder - By-pass Feed	23- 18
G024 3219	Upper Stay	23- 26

Part No.	Description	Page and Index No.
G024 3224	Upper By-pass Feed Guide	23- 2
G024 3226	Guide Seal	23- 1
G024 3227	Lower By-pass Feed Guide	23- 31
G024 3231	Support Guide Plate	23- 7
G024 3240	By-pass Feed Solenoid - DC24V	23- 29
G024 3244	Solenoid Bracket	23- 28
G024 3258	Feed Shaft	23- 21
G024 3262	Separation Drive Shaft	23- 17
G024 3266	Separation Driven Shaft	23- 12
G024 3272	Tension Spring	23- 30
G024 3274	Tension Spring	23- 27
G024 3284	By-pass Feed Table	9- 5
G024 3285	Left Side Fence	9- 2
G024 3286	Right Side Fence	9- 3
G024 3291	By-pass Table Stay	9- 8
G024 3292	Decal - Paper Size	9- 6
G024 3292	Decal - Paper Size	89- 10
G024 3296	By-pass Feed Sub Tray	9- 12
G024 3307	Guide Plate	19- 21
G024 3314	Transport Driven Roller	19- 22
G024 3314	Transport Driven Roller	41- 16
G024 3314	Transport Driven Roller	47- 11
G024 3315	Busing	41- 17
G024 3315	Busing	47- 12
G024 3315	Busing	19- 23
G024 3316	Tension Spring	19- 24
G024 3316	Tension Spring	47- 13
G024 3318	Transport Drive Roller	19- 7
G024 3321	Bias Terminal	19- 10
G024 3331	Paper Feed Guide	25- 5
G024 3334	Middle Drive Roller	25- 9
G024 3335	Compression Spring	25- 6
G024 3337	Front Lower Cover	9- 9
G024 3337	Front Lower Cover	9- 14
G024 3338	Front Lower Cover Link	19- 5

Part No.	Description	Page and Index No.
G024 3339	Switch Bracket	25- 18
G024 3340	Torsion Spring	19- 6
G024 3341	Torsion Spring	19- 8
G024 3342	Clutch Cover	55- 3
G024 3344	Snap Ring M4	9- 19
G024 3351	Paper End Feeler	23- 3
G024 3354	Sensor Bracket	23- 4
G024 3360	Supporting Plate - Paper Guide Ass'y	25- 23
G024 3663	Transport Roller Bushing	17- 14
G024 3664	Bushing	17- 8
G024 3665	Holder Bracket - Transfer Roller	17- 7
G024 3666	Left Shaft	17- 6
G024 3667	Transport Timing Lever	17- 21
G024 3671	Cam Roller	57- 1
G024 3672	Pressure Spring	17- 10
G024 3673	Terminal Plate	17- 9
G024 3675	Spring Clutch Ass'y	57- 17
G024 3676	Clutch Bracket	57- 4
G024 3677	Clutch Shaft	57- 2
G024 3678	Timing Lever Roller	17- 22
G024 3679	Grounding Plate - Transfer Holder B	17- 28
G024 3684	Transfer Roller Holder	17- 12
G024 3701	Guide Plate - Transport	15- 25
G024 3702	Guide Plate Bracket	15- 15
G024 3705	Discharge Brush - Transfer Roller	15- 18
G024 3707	Grounding Plate	15- 17
G024 3708	Rear Cover - Transport	15- 10
G024 3709	Fan Guard	15- 12
G024 3710	Ozone Filter	15- 11
G024 3711	Quenching Lamp Spacer	15- 23
G024 3716	Grounding Plate	19- 20
G024 3721	Quenching Lamp	67- 4
G024 3722	Quenching Lamp Bracket	67- 3
G024 3723	Quenching Lamp Seal	67- 1
G024 3731	Positioning Sensor Bracket	17- 18

Part No.	Description	Page and Index No.
G024 4308	Terminal Plate	17- 11
G024 4315	Release Lever - PCU Shutter	67- 23
G024 4612	Ball Bearing - 20x37x9	35- 11
G024 4613	Gear - 46Z	35- 13
G024 4626	Harness Guide	33- 4
G024 4628	Lower Stay	35- 2
G024 4640	Fusing Entrance Guide - Lower	29- 2
G024 4641	Adjusting Screw Bracket	35- 7
G024 4647	Oil Supply Stay	31- 1
G024 4651	Oil Supply Frame	31- 9
G024 4653	Spring Plate	31- 7
G024 4655	Oil Reservoir	31- 11
G024 4660	Right Pressure Lever	35- 6
G024 4661	Left Pressure Lever	35- 4
G024 4663	Pressure Collar	35- 1
G024 4664	Oil Pad	31- 2
G024 4668	Oil Supply Pad	31- 6
G024 4672	Scraper Stay	35- 20
G024 4673	Cleaning Roller Scraper	35- 19
G024 4674	Scraper Holder	35- 18
G024 4675	Screw - M4	35- 17
G024 4691	Left Heater Holder	33- 6
G024 4692	Right Heater Holder	33- 13
G024 4695	Sensor Bracket	33- 8
G024 4701	Hot Roller Drive Gear	35- 26
G024 4710	Exit Roller (G047)	29- 9
G024 4712	Fusing Unit Bracket	71- 3
G024 4720	Fusing Unit Stay	71- 2
G024 4727	Switch Bracket	63- 18
G024 4740	Oil End Sensor	63- 3
G024 4750	Oil Supply Roller	31- 4
G024 4751	Oil Supply Sub Roller	31- 5
G024 4754	Fusing Knob	35- 28
G024 4757	Compression Spring	35- 5
G024 4758	Gear - 14Z	35- 25

Part No.	Description	Page and Index No.
G024 4759	Gear - 15Z	43- 23
G024 4759	Gear - 15Z	29- 24
G024 4760	Fusing Cleaning Roller	35- 3
G024 4761	Idle Gear - 30z	35- 21
G024 4762	Idle Gear - 26z (G047)	35- 29
G024 4763	Idle Gear - 19z	35- 22
G024 4768	Torque Limiter	43- 24
G024 4768	Torque Limiter	29- 23
G024 4769	Exit Frame (G047)	29- 6
G024 4772	Fusing Exit Guide	29- 16
G024 4773	Exit Roller Holder	29- 12
G024 4774	Paper Feed Sensor Feeler	29- 10
G024 4775	Sensor Feeler Holder	29- 8
G024 4777	Magnetic Catch	29- 7
G024 4777	Magnetic Catch	37- 8
G024 4784	Exit Cover	31- 3
G024 4792	Magnetic Catch Seal	29- 17
G024 4796	Right Bracket - Paper Exit (G047)	29- 22
G024 4832	Fusing Unit Stopper - Front	71- 4
G024 4834	Fusing Unit Stopper - Rear	71- 5
G024 4837	Right Outer Sheet	35- 27
G024 4850	Exit Guide Middle Mylar (G047)	29- 21
G024 4851	Exit Guide Outer Mylar (G047)	29- 20
G024 4853	Pressure Shaft - M5	35- 31
G024 4855	Upper Stay Seal	33- 7
G024 4856	Left Guide Mylar (G047)	29- 29
G024 4857	Middle Guide Mylar (G047)	29- 30
G024 4858	Right Guide Mylar (G047)	29- 31
G024 4859	Exit Outer Mylar	31- 12
G024 4860	Fusing Cover Seal	29- 32
G024 4868	Grounding Wire	35- 32
G024 4868	Grounding Wire	71- 1
G024 5060	High Voltage Supply Board	61- 10
G024 5107	Mirror Motor Harness	61- 13
G024 5109	Main Switch Harness (230V)	61- 5

Part No.	Description	Page and Index No.
G024 5110	LD Unit Harness	27- 8
G024 5111	DC Power Supply Harness	61- 4
G024 5112	Main Switch Harness (120V)	61- 5
G024 5115	Ground Wire - Operation Panel	9- 4
G024 5117	High Voltage Harness	61- 9
G024 5119	Density Sensor Harness	19- 26
G024 5122	Dtm Power Harness	61- 8
G024 5125	AC Power Supply Harness	61- 15
G024 5128	Paper End Sensor Harness	25- 16
G024 5141	Inlet	61- 19
G024 5360	Sync Detector Board	27- 12
G024 5400	IC - TC203C220F002	79- 2
G024 5415	IC - UPD30210-177	85- 1
G024 5420	Density Sensor	19- 25
G024 5421	Temp/Humidity Sensor	59- 7
G024 5431	Filter - MB-2012-150	79- 3
G024 5451	PCU Motor - DC24V 6.5W	53- 27
G024 5456	Registration Solenoid - 25Ncm	57- 11
G024 5457	Paper Feed Clutch - 25Ncm	25- 21
G024 5459	Transfer Roller Clutch - 49Ncm	57- 3
G024 5460	By-pass Feed Clutch - 25Ncm	57- 10
G024 5462	Pull-out Clutch - 25Ncm	55- 2
G024 5613	Operation Panel Ass'y - 120V	9- 17
G024 5614	Operation Panel Ass'y - 230V	9- 17
G024 5823	Decal - Power Switch - EU	89- 11
G024 5823	Decal - Power Switch - EU	11- 20
G024 5823	Decal - Power Switch - EU	13- 25
G024 6844	Revolver Unit	65- 15
G024 6900	Bias Terminal	65- 25
G024 6901	Bias Terminal	65- 27
G024 6904	Insulating Sheet	65- 28
G024 6905	Insulating Sheet	65- 22
G024 6906	Insulating Sheet	65- 23
G024 6907	Insulating Sheet	65- 24
G024 6908	Terminal-dev Bias-sub Ass'y	65- 26

Part No.	Description	Page and Index No.
G024 6958	Dtm Release Lever	65- 29
G024 6960	Release Lever Holder	65- 16
G024 6962	Spring	65- 17
G024 6971	Sensor Actuator	63- 10
G024 6972	Cushion-actuator-toner Magazine	63- 16
G024 6974	Right Bearing Holder	65- 4
G024 6982	Toner End Sensor Bracket	63- 15
G024 6991	Display Decal - Cyan	89- 12
G024 6991	Display Decal - Cyan	65- 18
G024 6992	Display Decal - Magenta	65- 20
G024 6992	Display Decal - Magenta	89- 12
G024 6993	Display Decal - Yellow	65- 19
G024 6993	Display Decal - Yellow	89- 12
G024 6994	Display Decal - Black	65- 21
G024 6994	Display Decal - Black	89- 12
G024 9310	Adjusting Plate	91- 5
G029 1975	Cylindrical Lens	27- 17
G029 6845	Decal - Model Name	9- 1
G029 6845	Decal - Model Name	89- 13
G030 2575	Friction Pad Ass'y	21- 7
G038 5300	IC - ASIC ROCKY-R	85- 2
G038 5351	IC - Font ROM 64Mbit	85- 3
G047 1051	Left Side Plate	41- 19
G047 1056	Torsion Spring - Left Paper Exit	43- 1
G047 1061	Unlock Holder - Paper Exit Unit	41- 9
G047 1062	Unlock Button - Paper Exit Unit	41- 8
G047 1063	Button Spring	41- 10
G047 1072	Lock Shaft - Paper Exit Unit	41- 4
G047 1073	Lock Pawl - Ppaper Exit Unit	41- 3
G047 1074	Lock Bracket - Paper Exit Unit	41- 5
G047 1075	Torsion Spring	41- 2
G047 1082	Main Switch Holder	41- 6
G047 1085	Rear Upper Stay	41- 12
G047 1086	Positioning Plate - Paper Exit Unit	41- 13
G047 1088	Spring Plate - Paper Exit	41- 14

Part No.	Description	Page and Index No.
G047 1101	Right Side Plate	41- 20
G047 1106	Right Torsion Spring	43- 36
G047 1175	Stay-front Lower-support	67- 8
G047 1287	Gear - Z25	69- 11
G047 1407	Lower Control Board Bracket	63- 1
G047 1410	Fan Cushion	63- 19
G047 1414	Rear LowerStay	63- 2
G047 1415	Rear Upper Cover Bracket	11- 19
G047 1427	Control Board Bracket	59- 15
G047 1428	Rear Upper Stay	61- 1
G047 1429	Control Board Cover	59- 2
G047 1430	Rear Control Board Cover	59- 1
G047 1431	Support Bracket - Safety Switch	63- 4
G047 1436	MCU Holder	61- 18
G047 1465	Ozone Filter	11- 12
G047 1465	Ozone Filter	13- 14
G047 1485	Option Cover	59- 4
G047 1502	Upper Cover	13- 5
G047 1504	Transport Unit Cover	43- 19
G047 1507	Exit Tray	13- 12
G047 1509	Rear Upper Cover	13- 10
G047 1518	Upper Cover Seal	9- 16
G047 1529	Rear Lower Cover	11- 9
G047 1539	Decal - Operation - Toner Magazine	11- 1
G047 1539	Decal - Operation - Toner Magazine	13- 1
G047 1539	Decal - Operation - Toner Magazine	89- 14
G047 1544	Heat Insulation - Upper Cover	11- 5
G047 1560	Brand Name Plate - RIC (G047)	9- 21
G047 1561	Brand Name Plate - SVN (G047)	9- 21
G047 1562	Brand Name Plate - GES (G047)	9- 21
G047 1563	Brand Name Plate - NSA (G047)	9- 21
G047 1564	Brand Name Plate - REX (G047)	9- 21
G047 1565	Brand Name Plate - INF (G047)	9- 21
G047 1808	Bracket - Fusing Drive	69- 10
G047 1884	Cleaning Blade Lever	69- 16

Part No.	Description	Page and Index No.
G047 2755	Optical Unit	27- 1
G047 2761	LD Unit	27- 7
G047 2834	Seal - Polygon Mirror	27- 18
G047 3143	Front Left Side Plate	19- 14
G047 3221	Lower Stay	23- 8
G047 3232	Pick-up Arm	23- 22
G047 3236	Pick-up Arm Spacer	23- 34
G047 3257	Feed Roller	23- 25
G047 3293	Cover - By-pass Feed Table Ass'y (RIC)	9- 13
G047 3294	Cover - By-pass Feed Table Ass'y (OEM)	9- 13
G047 3409	Guide Plate - Transport Ass'y	15- 14
G047 3650	Decal - Misfeed Removal	11- 18
G047 3650	Decal - Misfeed Removal	89- 15
G047 3661	Transfer Roller	17- 15
G047 3672	Spring - Transfer Roller - Left	17- 30
G047 3688	Seal	17- 25
G047 4501	Fusing Unit - NA (G047)	29- 14
G047 4502	Fusing Unit - EU (G047)	29- 14
G047 4600	Hot Roller	35- 15
G047 4603	Gear - 47z	35- 16
G047 4610	Pressure Roller - M45	35- 12
G047 4616	Right Side Plate (G047)	35- 23
G047 4617	Left Side Plate	35- 10
G047 4627	Side Plate Bracket	35- 33
G047 4631	Upper Stay	33- 11
G047 4638	Bracket - Contact Point - Blade - R	33- 15
G047 4644	Oil Sump	29- 3
G047 4646	Decal - High Temp. Warning	89- 16
G047 4646	Decal - High Temp. Warning	29- 27
G047 4670	Fusing Cover	29- 4
G047 4672	Small Fusing Cover	29- 18
G047 4682	Fusing Thermistor	33- 3
G047 4683	Pressure Roller Thermistor	33- 12
G047 4685	Hot Roller Thermofuse	33- 5
G047 4686	Pressure Roller Thermofuse	33- 10

Part No.	Description	Page and Index No.
G047 4710	Exit Roller - M18 (G048)	29- 9
G047 4728	Connector Bracket	63- 6
G047 4758	Exit Drive Gear	29- 15
G047 4759	Drive Gear - 17z	29- 15
G047 4762	Drive Gear - 27z (G048)	35- 29
G047 4763	Blade - G047 - Ass'y	31- 10
G047 4764	Hot Roller Lamp - 120V - 600W	33- 1
G047 4766	Pressure Roller Lamp - 120V - 400W	33- 2
G047 4767	Hot Roller Lamp - 230V - 600W	33- 1
G047 4768	Pressure Roller Lamp - 230V - 400W	33- 2
G047 4769	Exit Frame (G048)	29- 6
G047 4785	Idle Roller	29- 13
G047 4838	Right Fiber Sheet	35- 34
G047 4839	Outer Left Sheet	35- 35
G047 4851	Knob Sheet (G048)	29- 28
G047 4852	Fusing Cover Sheet	29- 26
G047 4853	Exit Cover Sheet	31- 15
G047 4856	Sheet - Right Guide Plate (G048)	29- 29
G047 4857	Sheet - Middle Guide Plate (G048)	29- 30
G047 4858	Sheet - Left Guide Plate (G048)	29- 31
G047 4859	Exit Sheet	31- 12
G047 4860	Rear Inner Sheet	31- 14
G047 4873	Grounding Spring Plate	35- 36
G047 4875	Discharge Brush - Fusing Unit (G047)	29- 33
G047 5055	Power Supply Unit - NA	61- 2
G047 5056	Power Supply Unit - EU/ASIA	61- 2
G047 5113	Harness - Door Switch	61- 3
G047 5114	Harness - Fusing Lamp (G047)	63- 20
G047 5118	Harness - Used Toner Sensor	67- 6
G047 5120	Harness - Paper Feed Unit	71- 13
G047 5123	High Voltage Harness - Transfer	61- 7
G047 5124	High Voltage Harness - Charge	67- 16
G047 5124	High Voltage Harness - Charge	61- 6
G047 5131	Harness - Main Output	61- 16
G047 5132	Harness - Main Input	61- 12

Part No.	Description	Page and Index No.
G047 5303	MCU Board	61- 17
G047 5303	MCU Board	79- *
G047 5450	Main Motor - 40W	53- 29
G047 5768	Printer Control Board	85- *
G047 5768	Printer Control Board	59- 13
G047 7610	Exit Roller - Paper Exit Unit	43- 14
G047 7614	Stay - Upper Transport Unit	43- 16
G047 7616	Stay - Lower Transport Unit	43- 2
G047 7618	Exit Pawl	43- 4
G047 7624	Spring Plate - Exit Roller	43- 18
G047 7646	Guide Plate - Upper Exit	43- 15
G047 7654	Side Plate - Transport Unit	43- 21
G047 7670	Side Plate - Transport Unit	43- 5
G047 8617	Setup Guide - RIC	89- 23
G047 8627	Setup Guide - GES/SVN	89- 23
G048 1091	Stay - Vertical Transport	41- 11
G048 1411	DC Power Supply Holder - Duplex (120V)	59- 6
G048 1413	DC Power Supply Holder - Duplex (230V)	59- 6
G048 1503	Right Cover - Duplex	13- 15
G048 1540	Rear Heat Insulation - Upper Cover	13- 22
G048 1541	Front Heat Insulation - Upper Cover	13- 23
G048 1542	Heat Insulation - Upper Rear Cover	13- 24
G048 1543	Heat Insulation - Front	13- 21
G048 1560	Brand Name Plate - RIC (G048)	9- 21
G048 1561	Brand Name Plate - SVN (G048)	9- 21
G048 1562	Brand Name Plate - GES (G048)	9- 21
G048 1563	Brand Name Plate - NSA (G048)	9- 21
G048 1564	Brand Name Plate - REX (G048)	9- 21
G048 1565	Brand Name Plate - INF (G048)	9- 21
G048 1586	Spacer	13- 9
G048 1672	Stay Sheet	69- 14
G048 3650	Decal - Misfeed Removal	13- 7
G048 3650	Decal - Misfeed Removal	89- 17
G048 4501	Fusing Unit - NA (G048)	29- 14
G048 4502	Fusing Unit - EU (G048)	29- 14

Part No.	Description	Page and Index No.
G048 4616	Right Side Plate (G048)	35- 23
G048 5109	Harness - Main Switch - Duplex (230V)	61- 5
G048 5112	Harness - Main Switch - Duplex (120V)	61- 5
G048 5114	Harness - Fusing Lamp (G048)	63- 20
G048 5121	Harness - Reverse Unit	51- 3
G048 5139	Harness - Reverse Unit Drawer	45- 7
G048 5143	Harness - Grounding Wire	51- 10
G048 5145	Harness - Stepper Motor	39- 31
G048 5146	Harness - Duplex	61- 14
G048 5147	Harness - Vertical Transport Unit	39- 17
G048 5330	Duplex Drive Board	51- 9
G048 7045	Front Cover - Reverse Unit	45- 1
G048 7047	Compression Spring	47- 4
G048 7047	Compression Spring	45- 21
G048 7052	Left Side Plate - Reverse Unit	49- 19
G048 7063	Right Side Plate - Reverse Unit	49- 20
G048 7070	Front Stay	49- 17
G048 7071	Rear Stay	49- 11
G048 7073	Middle Stay	49- 13
G048 7074	Guide Plate	49- 14
G048 7080	Reverse Roller	49- 16
G048 7081	Transport Roller - Duplex	49- 12
G048 7081	Transport Roller - Duplex	39- 22
G048 7087	Transport Motor Bracket	49- 2
G048 7092	Idle Gear	49- 8
G048 7094	Gear - Reverse Slow Down	49- 3
G048 7095	Gear - Reverse Roller	49- 4
G048 7096	Gear - Transport Roller	49- 7
G048 7102	Reverse Tray	45- 26
G048 7106	Decal - Transport Guide Plate	89- 18
G048 7106	Decal - Transport Guide Plate	47- 20
G048 7109	Upper Transport Guide Plate	47- 16
G048 7113	Roller	47- 14
G048 7114	Bracket	47- 15
G048 7120	Lower Transport Guide Plate	47- 17

Part No.	Description	Page and Index No.
G048 7122	Discharge Brush - Duplex	47- 9
G048 7124	Decal - Duplex Misfeed Removal	89- 19
G048 7124	Decal - Duplex Misfeed Removal	47- 19
G048 7125	Upper Reverse Guide Plate	47- 7
G048 7126	Transport Idle Roller - Reverse	37- 6
G048 7126	Transport Idle Roller - Reverse	45- 15
G048 7126	Transport Idle Roller - Reverse	47- 6
G048 7128	Upper Reverse Sheet	47- 3
G048 7129	Decal - Reverse Guide Plate	47- 21
G048 7129	Decal - Reverse Guide Plate	89- 20
G048 7130	Lower Reverse Guide Plate	47- 1
G048 7132	Lower Reverse Sheet	47- 2
G048 7135	Left Jogger Fence	45- 25
G048 7136	Right Jogger Fence	45- 6
G048 7137	Jogger Fence Rack	45- 5
G048 7141	Bracket - Jogger Stepper Motor	45- 8
G048 7144	Bushing - Transport Roller	45- 16
G048 7147	DC Solenoid Bracket	45- 20
G048 7148	Bushing - M3.5	45- 27
G048 7149	DC Solenoid	45- 24
G048 7152	Screw - M3.5	45- 23
G048 7155	Lever	45- 17
G048 7156	Bracket	45- 19
G048 7158	Tension Spring - DC Solenoid	45- 18
G048 7162	Sensor Bracket	45- 3
G048 7164	Lower Cover	45- 11
G048 7168	Left Cover	47- 10
G048 7172	Right Cover	47- 18
G048 7174	Lower Rear Cover	45- 10
G048 7180	Reverse Tray Stopper	51- 23
G048 7212	Upper Frame - Reverse	51- 5
G048 7231	Bracket - Reverse Stepper Motor	51- 15
G048 7232	Grounding Plate	51- 14
G048 7233	Pull-out Idle Gear - Reverse	51- 20
G048 7234	Grounding Plate - Reverse	51- 16

Part No.	Description	Page and Index No.
G048 7241	Roller - Relay	51- 6
G048 7251	Bracket - Duplex Drive Board	51- 11
G048 7252	Ground Plate - Reverse Tray	51- 12
G048 7270	Left Frame - Reverse	51- 4
G048 7271	Right Frame - Reverse	51- 13
G048 7272	Rear Cover - Rreverse	51- 8
G048 7275	Grounding Plate	59- 8
G048 7400	Right Side Plate	39- 5
G048 7401	Left Side Plate	39- 20
G048 7412	Right Positioning Pin	39- 28
G048 7413	Left Positioning Pin	39- 3
G048 7418	Bracket - Right Side Plate	37- 11
G048 7422	Bracket - Left Side Plate	37- 10
G048 7423	Upper Transport Stay	39- 25
G048 7424	Middle Transport Stay	39- 26
G048 7425	Lower Transport Stay	39- 27
G048 7426	Upper Cover Stay	39- 21
G048 7427	Guide Plate - Upper Transport	37- 13
G048 7429	Middle Cover - Transport Unit	37- 3
G048 7431	Right Cover - Transport Unit	37- 12
G048 7432	Upper Cover - Transport Unit	37- 9
G048 7433	Left Cover - Transport Unit	37- 7
G048 7434	Gear - z100/36	39- 14
G048 7435	Gear - z42/28	39- 10
G048 7436	Idle Gear - z24	39- 9
G048 7437	Idle Gear - z18	39- 8
G048 7438	Transport Drive Gear	39- 7
G048 7439	Stepper Motor Bracket	39- 2
G048 7440	Tightner Bracket	39- 18
G048 7443	Lever	37- 1
G048 7448	Bushing	37- 5
G048 7452	Spring	37- 4
G048 7453	Safety Switch Bracket	39- 4
G048 7456	Link Bracket	39- 16
G048 7457	Bracket - Safety Switch Cover	39- 19

Part No.	Description	Page and Index No.
G048 7458	Spring	37- 15
G048 7460	Lower Paper Feed Sensor Bracket	39- 24
G048 7465	Grounding Plate - Transport Unit	39- 33
G048 7466	Upper Paper Feed Sensor Bracket	39- 32
G048 7602	Guide Plate - Transport Unit	41- 15
G048 7610	Cushion - 8mm	43- 37
G048 7620	Lower Transport Guide	43- 3
G048 7622	Idle Gear - z19	43- 28
G048 7627	Timing Belt - S2M 274	43- 8
G048 7630	Transport Roller - Paper Exit Unit	43- 13
G048 7632	Transport Roller Guide	43- 30
G048 7640	Belt Tension Bracket	43- 11
G048 7650	Link	43- 26
G048 7656	Adjustment Plate - Idle Gear	43- 29
G048 7662	Upper Front Heat Shield	43- 35
G048 7664	Rear Left Heat Shield	43- 33
G048 7666	Rear Middle Heat Shield	43- 34
G048 7670	Discharge Brush - Paper Exit Unit	43- 32
G048 7672	Pawl Cushion	43- 31
G048 7680	Paper Exit Unit Cushion	41- 23
G048 7692	DC Solenoid	41- 22
G048 7697	Bracket - DC Solenoid	41- 1
G048 7698	Transport Roller Pulley	43- 12
G503 5730	RPS2 DIMM	59- 14
G800 3011	Paper Feed Roller	25- 1
G800 3015	Bushing	25- 10
G800 3017	Bushing	25- 4
G800 3021	Completion Spring	25- 11
G800 3035	Push SW - Paper Size	25- 19
G800 3053	Bushing	15- 3
G800 3055	Completion Spring	15- 2
G800 3129	Cassette Arm	21- 4
G800 3133	Side Fence Gear	21- 12
G800 3149	Base Pad	21- 10
G800 3321	Gear	51- 22

Part No.	Description	Page and Index No.
G800 3322	Idler Gear	49- 5
G800 3322	Idler Gear	51- 21
G800 3323	Pul-out Gear	51- 19
G800 3332	Driven Roller	25- 8
G800 3332	Driven Roller	45- 2
G800 3333	Bushing - M4	25- 7
G800 3333	Bushing - M4	45- 22
G800 3342	Connector Colar	51- 24
G908 3184	Paper Size Dial Ass'y	21- 16
G908 3186	Decal - Paper Size Dial	21- 1
G908 3186	Decal - Paper Size Dial	89- 21
GW01 0006	Photorelector - GP2A69	17- 1
GZ22 0004	DC Power Supply Board - Duplex (120V)	59- 5
GZ22 0005	DC Power Supply Board - Duplex (230V)	59- 5
H053 1600	Bushing - 6mm	29- 5
H060 2126	Bushing - M6x7	23- 24
H516 4095	Decal - Energystar	89- 22
H516 4095	Decal - Energystar	9- 20
H516 5052	Stepper Motor - Paper Feed 24VDC13W	51- 17
H516 5052	Stepper Motor - Paper Feed 24VDC13W	39- 1
H516 5052	Stepper Motor - Paper Feed 24VDC13W	49- 1
H521 3355	C Ring - Paper Feed Roller	51- 18
H521 3355	C Ring - Paper Feed Roller	49- 6
H521 3355	C Ring - Paper Feed Roller	23- 9
H521 3355	C Ring - Paper Feed Roller	47- 8
H521 3355	C Ring - Paper Feed Roller	41- 7
H521 3355	C Ring - Paper Feed Roller	39- 6
H521 3355	C Ring - Paper Feed Roller	25- 24
H521 3355	C Ring - Paper Feed Roller	9- 10

Part No.	Description	Page and Index No.
A109 6425	Brush Roller Spacer	25- 20
A134 2674	Torque Limitter - 400fg	23- 11
A134 5292	Jogger Drive Motor DC 10.56W	45- 9
A166 4017	Driven Roller	43- 17
A166 5421	Transfer Belt Sensor	17- 19
A190 2702	Paper Guide	9- 11
A204 4074	Terminal Connector - 2p	33- 14
A222 5267	IC - GAVD	79- 1
A230 9351	Case - Flash Memory Card	91- 2
A230 9352	Flash Memory Card - 4MB	91- 1
A232 1916	Collar - Polygon Motor	27- 19
A232 1921	Front Holder - F Theta Mirror	27- 20
A232 1922	Rear Holder - F Theta Mirror	27- 21
A232 1923	Front Holder - BTL	27- 22
A232 1927	Cylindrical Lens Holder	27- 23
A232 3552	Ball Bearing - 8x22x7	65- 2
A232 4790	Link - Duplex Unit	39- 15
A257 3358	Toner End Sensor	63- 14
A259 1525	Decal - Emblem Color	89- 1
A470 1704	Spring - Lower Exit Roller (G048)	29- 25

Part No.	Description	Page and Index No.
5206 2686	Snap Ring	29- 19
5215 2621	Snap Ring - M6	43- 20
5409 1855	Mounting Pin	43- 22
5420 9507	Digital Multimeter - Beckman	91- 4
5443 2668	Bushing - 4x6x7mm	25- 2
5443 2668	Bushing - 4x6x7mm	51- 7

Part No.	Description	Page and Index No.
0313 0040B	Philips Pan Head Screw - M3x4	23-102
0313 0040B	Philips Pan Head Screw - M3x4	41-106
0313 0140B	Philips Pan Head Screw - M3x14	63-109
0314 0100B	Philips Pan Head Screw - M4x10	53-110
0314 0300B	Philips Pan Head Screw - M4x30	59-105
0353 0040B	Screw - M3X4	47-102
0353 0040B	Screw - M3X4	67-104
0353 0040B	Screw - M3X4	45-106
0353 0060B	Philips Pan Head Screw - M3x6	29-101
0353 0060B	Philips Pan Head Screw - M3x6	55-103
0353 0060B	Philips Pan Head Screw - M3x6	67-101
0353 0060B	Philips Pan Head Screw - M3x6	19-111
0353 0060B	Philips Pan Head Screw - M3x6	69-103
0353 0060B	Philips Pan Head Screw - M3x6	65-107
0353 0060B	Philips Pan Head Screw - M3x6	31-102
0353 0060B	Philips Pan Head Screw - M3x6	33-102
0353 0060B	Philips Pan Head Screw - M3x6	35-101
0353 0060Z	Screw - M3X6	59-106
0353 0060Z	Screw - M3X6	13-101
0353 0060Z	Screw - M3X6	11-101
0353 0060Z	Screw - M3X6	9-102
0353 0080B	Screw - M3X8	33-101
0353 0080B	Screw - M3X8	29-105
0353 0080B	Screw - M3X8	51-110
0353 0100B	Screw - M3X10	53-102
0353 0140B	Bind Screw - M3x14	63-111
0353 0140B	Bind Screw - M3x14	41-105
0353 0350B	Philips Pan Head Screw - M3x35	63-106
0360 4010B	Hexagonal Head Screw - M4X10	27-101
0450 3006B	Tapping Screw - M3x6	25-107
0450 3006B	Tapping Screw - M3x6	21-101
0450 3006B	Tapping Screw - M3x6	31-101
0450 3006B	Tapping Screw - M3x6	51-107
0450 3008B	Tapping Screw - M3x8	27-102

Part No.	Description	Page and Index No.
0450 3008B	Tapping Screw - M3x8	71-107
0450 3008B	Tapping Screw - M3x8	67-110
0450 3008B	Tapping Screw - M3x8	25-102
0450 3008B	Tapping Screw - M3x8	37-101
0450 3008B	Tapping Screw - M3x8	65-106
0450 3008B	Tapping Screw - M3x8	45-101
0450 3008B	Tapping Screw - M3x8	47-104
0450 3008B	Tapping Screw - M3x8	51-105
0450 3010B	Tapping Screw - M3x10	65-110
0450 3010B	Tapping Screw - M3x10	45-107
0450 3010B	Tapping Screw - M3x10	51-106
0450 3012B	Tapping Screw -3x12	17-101
0450 3014B	Tapping Screw - M3x14	33-103
0450 4008B	Tapping Screw - 4x8	25-103
0450 4008B	Tapping Screw - 4x8	71-108
0450 4008B	Tapping Screw - 4x8	51-102
0450 4010B	Tapping Screw - 4x10	51-103
0450 4010B	Tapping Screw - 4x10	43-106
0450 4012B	Tapping Screw - M4x12	65-109
0450 4030B	Tapping Screw - M4x30	63-107
0451 3006B	Tapping Screw - M3x6	53-101
0451 3006B	Tapping Screw - M3x6	37-102
0451 3006B	Tapping Screw - M3x6	39-101
0451 3006B	Tapping Screw - M3x6	43-102
0451 3006B	Tapping Screw - M3x6	51-101
0451 3006B	Tapping Screw - M3x6	69-102
0451 3006B	Tapping Screw - M3x6	71-104
0451 3006B	Tapping Screw - M3x6	49-103
0451 3006B	Tapping Screw - M3x6	41-101
0451 3006B	Tapping Screw - M3x6	47-101
0451 3006B	Tapping Screw - M3x6	55-102
0451 3006B	Tapping Screw - M3x6	45-105
0451 3006B	Tapping Screw - M3x6	59-102
0451 3006B	Tapping Screw - M3x6	17-105
0451 3006B	Tapping Screw - M3x6	19-105

Part No.	Description	Page and Index No.
0451 3006B	Tapping Screw - M3x6	67-102
0451 3006B	Tapping Screw - M3x6	61-101
0451 3006B	Tapping Screw - M3x6	63-101
0451 3006B	Tapping Screw - M3x6	65-105
0451 3006B	Tapping Screw - M3x6	23-101
0451 3006B	Tapping Screw - M3x6	15-101
0451 3006B	Tapping Screw - M3x6	13-102
0451 3006B	Tapping Screw - M3x6	57-101
0451 3006B	Tapping Screw - M3x6	11-102
0451 3006H	Tapping Screw - 3x6	13-103
0451 3008B	Tapping Screw - M3x8	17-102
0451 3014B	Tapping Screw - M3-14	39-102
0451 4006B	Tapping Screw - 4x6	25-106
0451 4006B	Tapping Screw - 4x6	67-103
0451 4006B	Tapping Screw - 4x6	71-101
0451 4006B	Tapping Screw - 4x6	69-101
0451 4030B	Philips Tapping Screw - M4x30	59-104
0452 3006B	Tapping Screw - M3x6	9-101
0452 3006B	Tapping Screw - M3x6	19-104
0452 3006B	Tapping Screw - M3x6	19-106
0452 3006B	Tapping Screw - M3x6	21-102
0452 3006B	Tapping Screw - M3x6	67-109
0452 3006B	Tapping Screw - M3x6	29-102
0452 3006B	Tapping Screw - M3x6	59-103
0452 3008B	Tapping Screw - M3x8	15-102
0452 3008B	Tapping Screw - M3x8	45-102
0452 3010B	Tapping Bind Screw - M3x10	27-103
0452 4008B	Binding Self Tapping Screw - M4x8	71-102
0452 4030B	Tapping Bind Screw - M4x30	15-103
0453 3006B	Tapping Screw - M3x6	51-108
0453 3006B	Tapping Screw - M3x6	23-103
0453 3006B	Tapping Screw - M3x6	49-101
0453 3006B	Tapping Screw - M3x6	39-108
0453 3006B	Tapping Screw - M3x6	45-103
0573 0060B	Hexagonal Set Screw - M3X6	53-107

Part No.	Description	Page and Index No.
0574 0060E	Hexagon Headless Set Screw - M4x6	53-106
0593 0060W	Hexagonal Set Screw - M3x6	65-104
0622 0100E	Spring Pin - 2x10mm	23-104
0708 0050B	Washer - M5	35-105
0720 0020B	Retaining Ring - M2	55-101
0720 0040B	Retaining Ring - M4	53-105
0720 0040B	Retaining Ring - M4	57-105
0720 0040B	Retaining Ring - M4	67-108
0720 0040B	Retaining Ring - M4	55-107
0720 0040B	Retaining Ring - M4	63-108
0720 0040B	Retaining Ring - M4	41-104
0720 0040B	Retaining Ring - M4	39-104
0720 0040B	Retaining Ring - M4	15-106
0720 0040B	Retaining Ring - M4	17-103
0720 0040B	Retaining Ring - M4	25-101
0720 0040B	Retaining Ring - M4	69-107
0720 0040B	Retaining Ring - M4	31-104
0720 0040B	Retaining Ring - M4	23-105
0720 0040B	Retaining Ring - M4	35-104
0720 0040B	Retaining Ring - M4	19-102
0720 0040B	Retaining Ring - M4	43-101
0720 0060B	Retaining Ring - M6	55-106
0720 0060B	Retaining Ring - M6	65-108
0720 0060B	Retaining Ring - M6	29-103
0720 0060B	Retaining Ring - M6	71-103
0720 0060B	Retaining Ring - M6	17-106
0720 0060B	Retaining Ring - M6	53-104
0725 0200E	Retaining Ring C - M20	35-103
0727 0080E	Retaining Ring - M8	35-102
0801 0149	Philips Pan Head Screw - M4x6	71-109
0801 0149	Philips Pan Head Screw - M4x6	35-106
0801 0149	Philips Pan Head Screw - M4x6	61-103
0802 5276	Tapping Screw With Washer - M3x6	39-107
0805 0072	Cs Ring	43-105
0805 3386	Bushing - 8mm	57-102

Part No.	Description	Page and Index No.
0805 3480	Bushing - 6mm	19-101
0805 3480	Bushing - 6mm	17-104
0805 3480	Bushing - 6mm	23-106
0805 3480	Bushing - 6mm	25-104
0805 3480	Bushing - 6mm	51-104
0805 3480	Bushing - 6mm	67-107
0805 3480	Bushing - 6mm	39-103
0805 3480	Bushing - 6mm	49-102
0805 3480	Bushing - 6mm	55-105
0805 3480	Bushing - 6mm	43-104
0807 2034	Washer - M3.5	31-103
0807 2034	Washer - M3.5	29-104
0807 4066	Washer-6.2x12x0.5	43-103
0807 4072	Washer - Core	29-106
0951 3006B	Philips Screw With Flat Washer - M3x6	53-109
0951 4012B	Philips Screw With Flat Washer	53-103
0951 4030B	Screw - M4X30	53-108
0954 3008B	Philips Screw - M3x8	61-108
1101 0328	Connector Pin Contact	79-101
1102 4201	Connector - 2P	79-102
1102 4207	Connector - 8P	79-103
1102 4209	CT Header - 10P	79-104
1102 4210	Connector - 11P	79-105
1102 5007	CT Header - 14P	79-106
1102 5080	Connector - 5566-08A 8P	79-107
1102 5410	Connector - 22P	79-108
1102 5844	Connector - 5566-02A	79-109
1102 6019	Connector - FCN685J036-I/YA	85-101
1102 6295	Connector - 2P	79-110
1102 6297	Connector - 4P	79-111
1102 6299	Connector - 6P	79-112
1102 6300	Connector - 7P	79-113
1102 6302	Connector - 9P	79-114
1102 6303	Connector - 10P	79-115
1102 6305	Connector - 12P	79-116

Part No.	Description	Page and Index No.
1102 6306	Connector - 13P	79-117
1102 6313	Connector - 6P	79-118
1102 6398	Connector - 2P	79-119
1102 6399	Connector - 22P	79-120
1102 6400	Connector - 24P	79-121
1102 6534	Connector - IMSA-9210B-1-02-GF	79-122
1102 7132	Card Slot - 68p	79-123
1102 7358	Connector - 80P	85-102
1102 7585	DIMM Connector - 93764-51872	85-103
1102 7773	Connector - TX24-80R-LT-H1	79-124
1102 7778	Connector - TX25-80P-12ST	85-104
1102 8055	Connector - 5566-06A	79-125
1102 8080	Connector - DF11-6DP-2DS	79-126
1102 8096	Connector - DF11-24DP-2DSA	79-127
1102 8097	Connector - DF11-26DP-2DSA	79-128
1102 8153	Connector - FCN-568P068-G/05A-V4	85-105
1102 8189	Dimm Connector - 54534-1440	85-106
1104 0588	Dip Socket - 28p	85-107
1104 0588	Dip Socket - 28p	79-129
1105 0199	Clamp	63-102
1105 0199	Clamp	47-103
1105 0199	Clamp	49-104
1105 0199	Clamp	57-104
1105 0230	Clamp	15-105
1105 0230	Clamp	19-103
1105 0230	Clamp	57-103
1105 0230	Clamp	59-101
1105 0230	Clamp	65-103
1105 0230	Clamp	45-104
1105 0230	Clamp	69-106
1105 0230	Clamp	55-104
1105 0243	Wire Saddle	63-103
1105 0243	Wire Saddle	61-107
1105 0267	Harness Clamp - YMC-10-0	25-105
1105 0269	Wire Saddle	71-106

Part No.	Description	Page and Index No.
1105 0291	Harness Clamp - LWS-3S	67-105
1105 0291	Harness Clamp - LWS-3S	61-105
1105 0291	Harness Clamp - LWS-3S	51-109
1105 0291	Harness Clamp - LWS-3S	19-110
1105 0322	Cord Bushing	69-105
1105 0322	Cord Bushing	19-107
1105 0329	Harness Clamp - ES-0510	61-109
1105 0349	Edge Saddle	61-102
1105 0413	Harness Clamp	63-104
1105 0487	Harness Clamp	55-108
1105 0487	Harness Clamp	71-110
1105 0489	Harness Clamp - LWS 1316	65-101
1105 0489	Harness Clamp - LWS 1316	69-104
1105 0511	Harness Clamp - LWS-0306ZC	19-108
1105 0511	Harness Clamp - LWS-0306ZC	39-105
1105 0511	Harness Clamp - LWS-0306ZC	67-106
1105 0516	Clamp	71-105
1106 0411	Bushing - 11.5mm	19-109
1106 0411	Bushing - 11.5mm	15-104
1106 0411	Bushing - 11.5mm	49-105
1106 0430	Bushing - 13mm	65-102
1107 0629	Fuse (ceramic Case) - 15a - 125v	61-104
1150 0355	AC Power Cable (120V)	61-106
1204 2355	Micro Switch - AM51632A531	63-105
1204 2355	Micro Switch - AM51632A531	41-103
1204 2355	Micro Switch - AM51632A531	39-106
1204 2468	Switch - AC250/16A	41-102
1204 2468	Switch - AC250/16A	63-110
1204 2480	DIP Switch - DSS808	85-108
1400 0591	Transistor - DTC113ZK	79-130
1400 0663	Transistor - 2SA1037AK	79-131
1400 0753	Transistor - DTC114VKA	79-132
1400 0773	Transistor - 2SC3906K	79-133
1400 0783	Transistor - TD62064AF	79-134
1401 0869	Transistor-array - TD62003F	79-135

Part No.	Description	Page and Index No.
1402 1142	Diode Array - DAN217	79-136
1402 1336	Diode - 1SS355	79-137
1402 1343	Diode - RB106L-40	85-109
1403 0313	Diode - TLR102A	79-138
1407 1596	TTLIC - SN74LS14NS	79-139
1407 1600	TTLIC - SN74LS244NS	79-140
1407 1741	TTL - SN74LS32NS	79-141
1407 1746	TTL - SN74LS240NS	79-142
1407 1878	IC - TC4053BF	79-143
1407 2135	TTLIC - 74F74SJ	79-144
1407 2187	TTLIC - SN74LS07NS	79-145
1407 2249	TTL - SN74LS174NS	79-146
1407 2463	TTL - IC - SN74ALS08NS	79-147
1407 3286	IC - TC74HC04AF	79-148
1407 3683	IC - TC7W04F	79-149
1407 3766	IC - M66240FP	79-150
1407 4262	IC - M66500FP	79-151
1407 4300	IC - TC74VHC32F	85-110
1407 4405	IC - TC74VHC244F	85-111
1407 4536	IC - ICS1574	79-152
1407 4551	CMOS IC - TC3W02F	79-153
1407 4771	IC - MC68334GFC16	79-154
1407 4816	IC - 74VHC273 SOP	85-112
1407 4840	IC - TC7SH04FU	79-155
1407 4896	IC - 74VHC00 TSSOP	85-113
1407 4926	IC - 74LCX04 SOP	85-114
1407 4929	CMOS IF - 74LCX74 SOP	79-156
1407 4935	IC - 74LCX374 SOP	85-115
1407 4950	IC - 74LCX374 TSSOP	85-116
1407 4963	IC - MBM29F800TA-70PFTN	85-117
1407 4999	IC - STK22C48-W45	79-157
1407 5022	IC - 74VHC273 TSSOP	85-118
1407 5032	IC - MBM29F400TC-70PFTN	79-158
1407 5040	IC - SN74LVC161284DL	85-119
1407 5047	CMOS TC7SH32FU	79-159

Part No.	Description	Page and Index No.
1407 5058	IC - SLA7025M(LF875)	79-160
1407 5081	CMOS SN74LVTH240NS	79-161
1407 5088	IC - W42C31-09G	79-162
1407 5098	IC - AT28C64E-15PC EEPROM	85-120
1407 5172	IC - 74ALVC16244A TSSOP	85-121
1407 5173	IC - 74ALVCH16245 TSSOP	85-122
1407 5174	CMOS - SN74LVC04APW	85-123
1407 5181	CMOS TC7W53FU	79-163
1407 5220	CMOS IC - SN74LVTH374NS	79-164
1408 0595	IC - NJM2904M	79-165
1408 0611	IC - 3771	79-166
1408 0611	IC - 3771	85-124
1408 1295	IC - UPC2933T	79-167
1408 1308	Regulator - PQ3RF33	85-125
1503 0460	Oscillator - 32.768KHZ	79-168
1503 0834	Oscillator - 44MHZ	79-169
1503 0939	Oscillator - 59MHZ	85-126
1600 0658	Resistor - 0.47 Ω \pm 5%	79-170
1601 7724	Resistor - 680 Ω MNR14J681	79-171
1601 7725	Resistor - 560 Ω MNR14J561	79-172
1601 7751	Resistor - 4.7K Ω \pm 5%	79-173
1601 7752	Resistor Array - 10K Ω \pm 5%	79-174
1601 7752	Resistor Array - 10K Ω \pm 5%	85-127
1601 7759	Resistor Array-100k Ω \pm 5% 0.063W	79-175
1601 7867	Resistor - 33 Ω \pm 5% 1/16W	85-128
1601 7867	Resistor - 33 Ω \pm 5% 1/16W	79-176
1601 7871	Resistor - 68 Ω \pm 5% 1/16W	85-129
1602 7002	Capacitor - 50V 100mhom	79-177
1602 7077	Filter - STB271KBA	79-178
1604 2291	Capacitor - 22 μ F 10V	79-179
1604 2510	Capacitor - 1 μ F \pm 20% 25V	79-180
1604 4534	Capacitor - 47 μ F \pm 10% 50V	79-181
1604 4619	Capacitor - 10 μ F \pm 20% 10V	79-182
1605 0577	Capacitor - 0.33 μ F +80-20%	79-183
1605 0769	Capacitor - 20pF \pm 5% 50V	79-184

Part No.	Description	Page and Index No.
1605 0912	Capacitor - 0.082 μ F \pm 10% 25V	85-130
1605 0913	Capacitor - 0.47 μ F	79-185
1605 0927	Capacitor - 1000pF \pm 5% 25V	79-186
1605 0942	Capacitor - 0.22 μ F +80 -20% 50V	85-131
1607 0551	Inductor - BLM32A07PB	79-187
1607 0796	Noize Filter - ACF51832-470	79-188
1607 0852	Filter - BLM41P750SPB	79-189
1607 0953	Filter - BK1608LL121	79-190
1607 0978	Inductor - BLM21P300SPB	85-132
1607 1039	Filter - ACB1608M-080	79-191
1607 1049	Filter - FBMH4525HM162NT	79-192
1607 1050	Filter - ACF451832-681	79-193
1607 1065	Filter - FBMH3225HM102NT	79-194
1607 1084	Filter - BK1608HW601	79-195
1607 1085	Filter - BK1608LM152	79-196
1630 1180	Resistor - 18 Ω \pm 5% 1/4W	79-197
1630 1471	Resistor - 470 Ω \pm 5% 1/4W	79-198
1630 3102	Resistor - 1K Ω 1/10W \pm 5%	79-199
1630 3153	Resistor - 15K Ω \pm 5% 1/10W	79-200
1630 3221	Resistor - 220 Ω \pm 5% 1/10W	79-201
1630 3242	Resistor - 2.4K Ω \pm 5% 1/10W	79-202
1630 3363	Resistor - 36 Ω \pm 5%	79-203
1630 3472	Resistor - 4.7K Ω 1/10W \pm 5%	79-204
1630 3473	Resistor - 47K Ω 1/10W \pm 5%	79-205
1630 4100	Resistor - 10 Ω \pm 5% 1/16W	79-206
1630 4102	Resistor - 1.0K Ω \pm 5% 1/16W	79-207
1630 4103	Resistor - 10K Ω \pm 5% 1/16W	79-208
1630 4103	Resistor - 10K Ω \pm 5% 1/16W	85-133
1630 4104	Resistor - 100 Ω \pm 5% 1/16W	85-134
1630 4104	Resistor - 100 Ω \pm 5% 1/16W	79-209
1630 4106	Resistor -10m Ω \pm 5% 1/16W	79-210
1630 4109	Resistor - 1.0 Ω \pm 5% 1/16W	79-211
1630 4121	Resistor - 120 Ω \pm 5% 1/16W	85-135
1630 4121	Resistor - 120 Ω \pm 5% 1/16W	79-212
1630 4122	Resistor - 1.2K Ω 5% 1/16W	85-136

Part No.	Description	Page and Index No.
1630 4124	Resistor - 120K Ω \pm 5% 1/16W	79-213
1630 4124	Resistor - 120K Ω \pm 5% 1/16W	85-137
1630 4151	Resistor - 150 Ω \pm 5% 1/16W	79-214
1630 4182	Resistor - 1.8K Ω \pm 5.00% 1/16W	79-215
1630 4222	Resistor - 2.2K Ω \pm 5% 1/16W	85-138
1630 4272	Resistor - 2.7k Ω - \pm 5% - 1/16W	79-216
1630 4330	Resistor - 33 Ω \pm 5% 1/8W	85-139
1630 4330	Resistor - 33 Ω \pm 5% 1/8W	79-217
1630 4334	Resistor - 330K Ω \pm 5% 1/16W	79-218
1630 4470	Resistor - 470 Ω \pm 5% 1/16W	79-219
1630 4472	Resistor - 4.7K Ω \pm 5% 1/16W	79-220
1630 4473	Resistor - 47k Ω - \pm 5% - 1/16W	79-221
1630 4511	Resistor - 510 Ω - \pm 5% - 1/16W	79-222
1630 4519	Resistor - 5.1 Ω \pm 5% 1/16W	85-140
1630 4561	Resistor - 560 Ω \pm 5% 1/16W	79-223
1630 4680	Resistor - 68 Ω \pm 5% 1/16W	85-141
1630 4681	Resistor - 680 Ω \pm 5% 1/16W	79-224
1630 4820	Resistor - 82 Ω \pm 5% 1/16W	85-142
1630 4820	Resistor - 82 Ω \pm 5% 1/16W	79-225
1633 0000	Resistor - 0 Ω 1/10W	85-143
1633 0000	Resistor - 0 Ω 1/10W	79-226
1633 2201	Resistor - 2.2 Ω \pm 1% 1/10W	79-227
1633 3300	Resistor - 3300 Ω \pm 1% 1/10W	79-228
1633 3301	Resistor - 3.3K Ω \pm 1% 1/10W	79-229
1633 5602	Resistor - 56K Ω \pm 1% 1/10W	79-230
1633 6800	Resistor - 680 Ω \pm 1% 1/10W	79-231
1634 0000	Resistor - 0 Ω 1/16W	85-144
1634 0000	Resistor - 0 Ω 1/16W	79-232
1634 2000	Resistor - 200 Ω \pm 1% 1/16W	79-233
1634 2201	Resistor - 2.20K Ω \pm 1% 1/16W	79-234
1634 3301	Resistor - 3.3K Ω \pm 1% 1/16W	79-235
1640 2101	Capacitor - 100 μ F \pm 20% 25V	79-236
1640 5331	Capacitor - 330 μ F \pm 20% 50V	79-237
1640 5470	Capacitor - 47 μ F \pm 20% 50V	79-238
1640 5471	Capacitor - 470 μ F \pm 20% 50V	79-239

Part No.	Description	Page and Index No.
1642 2101	Capacitor - 100 Ω \pm 20% 25V	85-145
1642 2470	Capacitor - 47 μ F \pm 20% 25V	79-240
1642 2470	Capacitor - 47 μ F \pm 20% 25V	85-146
1643 2220	Capacitor - 22 μ F \pm 20% 25V	79-241
1643 2479	Aluminum Capacitor - 4.7 μ F \pm 20% 25V	79-242
1660 1100	Capacitor - 10pF 50V	79-243
1660 2101	Capacitor - 100pF - \pm 10% - 50V	79-244
1660 2220	Capacitor - 22pF \pm 20% 35V	79-245
1660 2221	Capacitor - 220pF +80-20% 50V	79-246
1660 3102	Capacitor - 1000pF \pm 5% 50V	79-247
1660 3150	Capacitor - 15pF 50V	85-147
1660 3221	Capacitor - 220pF \pm 5% 50V	85-148
1660 3330	Capacitor - 33pF \pm 5% 50V	79-248
1660 3331	Capacitor - 330pF \pm 5% 50V	85-149
1660 3390	Capacitor - 39pF \pm 5% 50V	79-249
1660 3470	Capacitor - 47pF \pm 5% 50V	85-150
1660 3471	Capacitor - 470pF 50V	79-250
1660 3680	Capacitor - 68pF \pm 5% 50V	79-251
1660 3680	Capacitor - 68pF \pm 5% 50V	85-151
1660 3820	Capacitor - 82pF \pm 5% 50V	79-252
1660 4103	Capacitor - 10000pF - \pm 10% - 50V	85-152
1660 5102	Capacitor - 1000pF \pm 10% 50V	85-153
1660 5222	Capacitor - 2200pF \pm 10% 50V	85-154
1660 5222	Capacitor - 2200pF \pm 10% 50V	79-253
1660 7103	Capacitor - 10000pF 50V	79-254
1660 7103	Capacitor - 10000pF 50V	85-155
1660 7104	Capacitor - 100000pF 50V	79-255
1660 9104	Capacitor - 100000pF 25V	85-156
1660 9104	Capacitor - 100000pF 25V	79-256
1902 0039	IC - SRAM 1M X16 70NS G1	79-257
2801 0036	AC Power Cable (230V)	61-106